

## 19" Equipment Rack

### INTRODUCTION

Amphenol CIT now offers a Standard 19" Equipment Rack Product Line. The lightweight, ruggedized construction takes advantage of innovative design and offers a significant weight reduction over existing rack designs. The Equipment Racks conform to Rack Standards EIA/ECA-310-E, Universal Rack Mounting Flange and are available in standard "U" heights. The Equipment Racks are designed for all aircraft types and can be customized to meet all of your special mission needs. Standard mounting hole patterns are available for both 24" & 27" depth rack configurations. Custom depth and mounting hole patterns are available per request.

All Equipment Racks components are fabricated in our state-of-the-art manufacturing facility using high quality materials to a perfect fit and lifetime performance. Design substantiation, FAA 8110-3, & 8130-9 certifications available for all designs.

### FEATURES

- » Durable, Ruggedized Construction
- » Lightweight Aluminum Alloy
- » Clear Chem Film & Gold Chem Film Finishes
- » Standard "U" Heights
- » Standard Depths and Mounting Patterns; custom available per request
- » Custom colors available per request
- » Design Substantiation, FAA 8110-3 & 8130-9 Certification
- » 24 HR AOG Support

### APPLICATIONS

- » EIA/ECA-310-E, Universal Rack Mounting Flange
- » CFR Title 14 Part 25, 23, & 21



Standard Rack P/N: 19-17U24C1



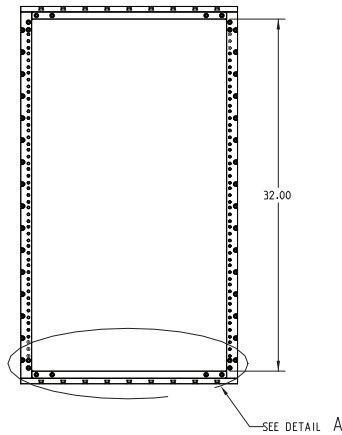
Standard Rack P/N: 19-17U27G1

# 19" Equipment Rack

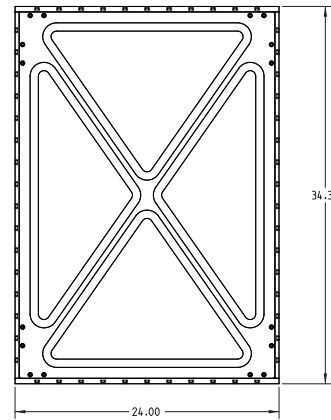
## DIMENSIONAL DATA

The following diagrams illustrate an example of a 17U x 24" depth rack. Actual dimensions may vary based on height, depth, and rack mounting dimensions.

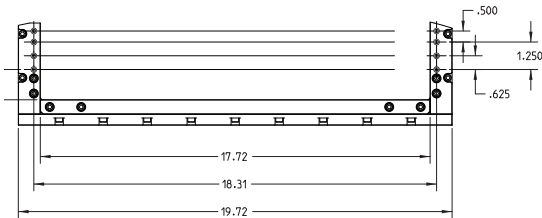
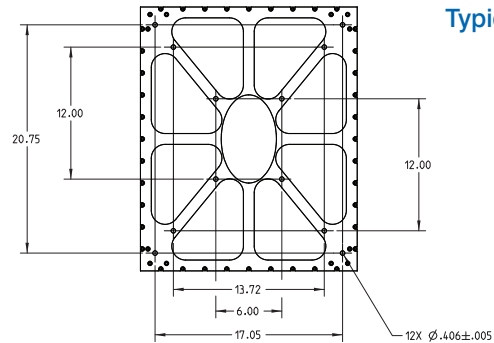
Typical Front View



Typical Rear View



Typical Bottom View

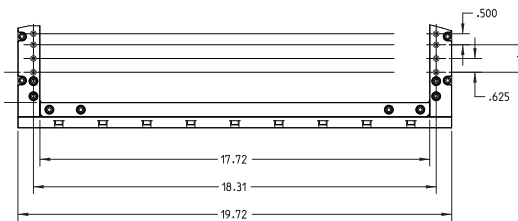


DETAIL A  
SCALE 2/5

DIMENSIONS APPLY TO TOP/BOTTOM  
AND BOTH SIDES

## STANDARD DEPTH MOUNTING PATTERNS

24" Depth



DETAIL A  
SCALE 2/5

DIMENSIONS APPLY TO TOP/BOTTOM  
AND BOTH SIDES

27" Depth

