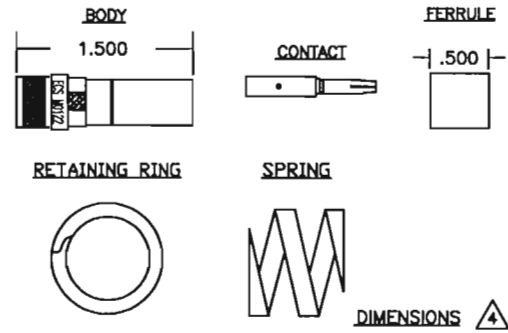


**** EXPORT CONTROLLED DOCUMENT - EAR ****
 The information in this document is subject to the Export Controls in Accordance with the Export Administration Regulations. Diversion Contrary to U.S. Law is prohibited.

This print and associated documents and the contained information are the confidential property of ELECTRONIC CABLE SPECIALISTS. Disclosure of, and/or reproduction of, all or part thereof or manufacture of any part from information contained on this print not specifically permitted by ELECTRONIC CABLE SPECIALISTS in writing is forbidden.

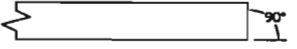
CAD GENERATED DOCUMENT
 ANY CHANGES TO THIS DOCUMENT MUST BE SUBMITTED TO THE DESIGN/DRAFTING DEPARTMENT FOR PROPER UPDATE

REVISIONS					
ECN	ZONE	REV.	DESCRIPTION	DATE	APPROVED
6188		N/C	NEW RELEASE.	9/15/98	MCT
12963		A	SEE ECN	8/14/01	D KNOLL
20511	D4	B	CHANGED CONTACT	9/15/04	DEK
49200	B4	C	FIGURE 19-54.6-1 WAS 19-54.2	3/20/13	CAC

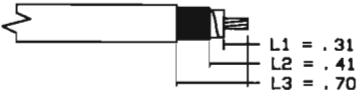


INSTALLATION INSTRUCTIONS

1. BEGIN BY CUTTING THE CABLE OFF SQUARE.



2. WHEN USING AUTOMATIC STRIPPING EQUIPMENT, STRIP CABLE AS SHOWN STARTING WITH L1 AND ENDING WITH L3. TAKE CARE NOT TO NICK THE CONDUCTORS WHILE STRIPPING THE DIELECTRIC AND JACKET. IF AUTOMATIC STRIPPING EQUIPMENT IS NOT AVAILABLE, STRIP ONLY L1 AND L3 AND TRIM EXCESS BRAID AT STEP 10.



3. SLIDE THE FERRULE AND ADHESIVE SHRINK TUBING OVER THE END OF THE CABLE.



4. SOLDER THE CONTACT ONTO THE CENTER CONDUCTOR PER MIL-STD-2000, USING 63Sn/37Pb SOLDER OR CRIMP WITH A Y1757 DIE. ENSURE THE CONTACT IS BUTTED AGAINST THE CABLE DIELECTRIC. CLEAN ALL FLUX RESIDUES USING AN APPROPRIATE FLUX CLEANER.



5. USING TWEEZERS, FOLD THE OUTER BRAID BACK OVER THE CABLE JACKET, LEAVING AS MUCH WEAVE AS POSSIBLE.



6. SLICE THE ALUMINUM/POLYESTER FOIL LENGTHWISE ABOUT EVERY 1/8". GENTLY ROTATE PIN TO SEPARATE THE FLAT FOIL BRAID AND ALUMINUM/POLYESTER FOIL FROM THE DIELECTRIC. USING TWEEZERS, FOLD BACK ALUMINUM/POLYESTER FOIL OVER THE OUTER BRAID.



7. USING TWEEZERS, FOLD THE INNER BRAID BACK OVER THE OTHER SHIELDS, LEAVING AS MUCH WEAVE AS POSSIBLE. NOTE: DO NOT UNRAVEL DIELECTRIC WHEN PULLING BACK INNER SHIELD.



8. SLIDE THE BODY OF THE CONNECTOR OVER THE END OF THE CABLE UNTIL THE NOTCH IN THE CONTACT SEATS WITH THE DIELECTRIC RIDGE INSIDE THE CONNECTOR.



9. FOLD ALL THE BRAIDS OVER THE NECK OF THE CONNECTOR BODY.



10. SLIDE THE FERRULE UP OVER THE SHIELDS AND AGAINST THE CONNECTOR BODY. TRIM AWAY ANY EXCESS BRAID. CRIMP THE FERRULE ONCE, NEXT TO THE BODY, USING A M22520/5-21 DIE (A HEX) IN A M22520/5-01 TOOL FRAME. APPLY ADHESIVE HEAT SHRINK.



NOTES

- ALL DIMENSIONS ARE IN INCHES.
- ENSURE HEAT SHRINK IS INSTALLED PRIOR TO CRIMPING CONNECTOR.
- ADHESIVE HEAT SHRINK SHOULD BE APPLIED IN ACCORDANCE WITH ECS WORK INSTRUCTION W1007. CONTACT ECS FOR A COPY OF THIS WORK INSTRUCTION.
- CONNECTOR DIMENSIONS ARE FOR REFERENCE ONLY.
- DELETED.
- DELETED.

SPECIFICATIONS

ELECTRICAL

IMPEDANCE: 50 OHMS NOMINAL
 FREQUENCY RANGE: 0-6 GHz
 VSWR: 1.70:1 MAXIMUM
 INSERTION LOSS: 0.3 dB @ 6 GHz
 DIELECTRIC WITHSTANDING: 2500 VRMS @ SEA LEVEL
 WORKING VOLTAGE: 1000 VRMS @ SEA LEVEL
 INSULATION RESISTANCE: 5000 MEGOHMS MINIMUM @ 500 VOLTS DC

MECHANICAL

MECHANICAL INTERFACE PER ARINC SPEC 600
 FIGURE 19-54.6-1
 TERMINATION STYLE: INNER CONTACT-SOLDER OR CRIMP
 OUTER CONTACT-FERRULE CRIMP
 CABLE RETENTION: 50 LBS

ENVIRONMENTAL

TEMPERATURE RATING: -65° TO +200°
 VIBRATION: MIL-STD-202, METHOD 204, COND. B
 SHOCK: MIL-STD-202, METHOD 213, COND. I
 THERMAL SHOCK: MIL-STD-202, METHOD 107, COND. B
 CORROSION: MIL-STD-202, METHOD 101, COND. B
 MOISTURE RESISTANCE: MIL-STD-202, METHOD 106

MATERIALS

BODY: BRASS PER QQ-B-626
 FERRULE: ANNEALED BRASS PER QQ-B-626
 CENTER CONTACT: BERYLLIUM COPPER PER QQ-C-530
 DIELECTRIC: TEFLON PER L-P-403

FINISHES

FERRULE: BRIGHT NICKEL PER QQ-N-290
 CENTER CONTACT, BODY: GOLD PER MIL-G-45204

ALL LENGTHS IN INCHES		ECS		ELECTRONIC CABLE SPECIALISTS PHENIX, TN 33132 PHONE: (414) 421-6300	
APPROVALS	DATE	TITLE	CUSTOMER SPECIFICATION		
DESIGN C CHAPMAN	09/04/98	MODIFIED SIZE 1, ARINC 600 RF			
CHECKED C CHAPMAN	09/15/98	CONNECTOR FOR ECS CABLE 311201 AND 421201			
PROJECT M TAUBENHEIN	09/15/98	SIZE	ONE CODE	LEVEL	DRG NO.
DESIGNED P JOBE	5/4/99	C 66197			MO122
		SCALE	APPROPRIATE		SHEET 1 OF 3

This print and associated documents and the contained information are the confidential property of ELECTRONIC CABLE SPECIALISTS. Disclosure of, and/or reproduction of, all or part thereof or manufacture of any part from information contained on this print not specifically permitted by ELECTRONIC CABLE SPECIALISTS in writing is forbidden.

CAD GENERATED DOCUMENT

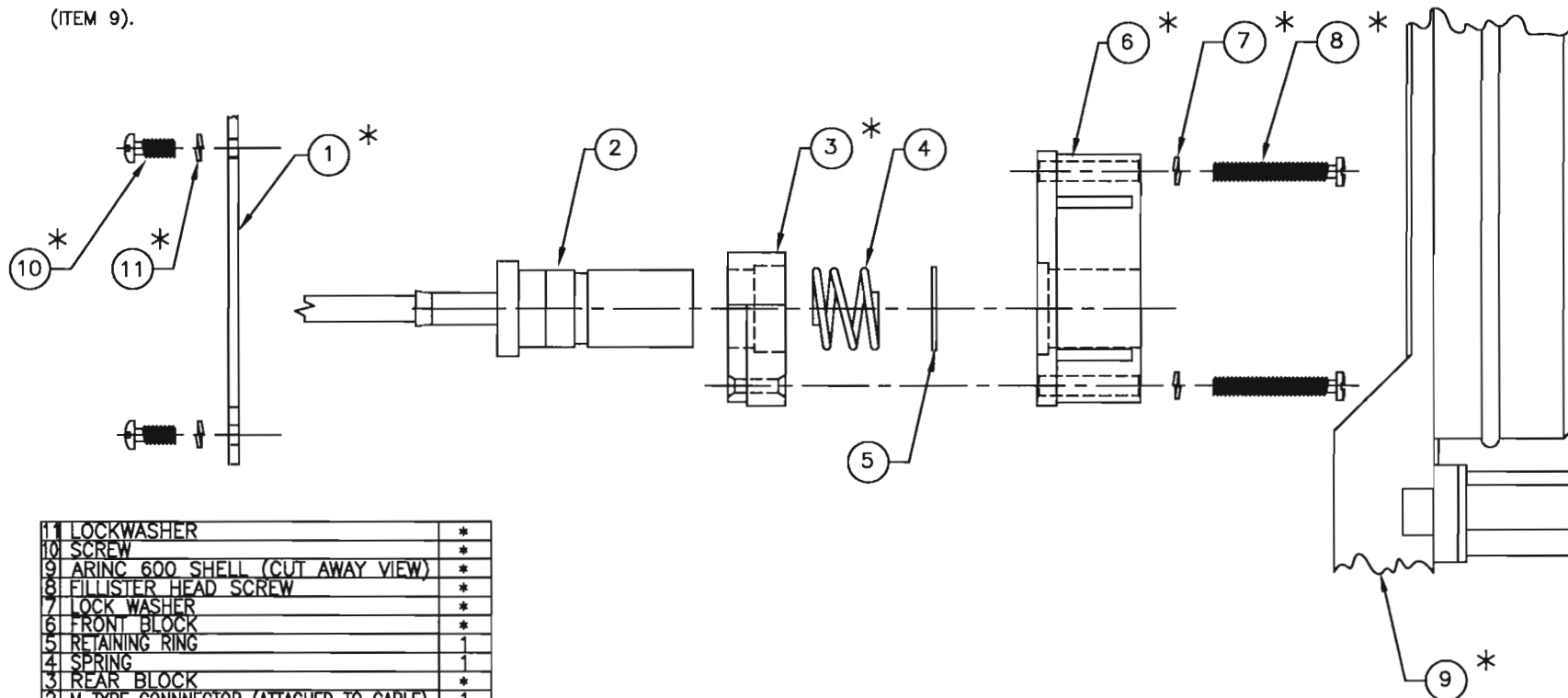
**** EAR CONTROLLED ****

ANY CHANGES TO THIS DOCUMENT
MUST BE SUBMITTED TO THE
DESIGN/DRAFTING DEPARTMENT
FOR PROPER UPDATE.

INSTALLATION INSTRUCTIONS—RETAINING HARDWARE (FOR CANNON SHELL)

- BEGINNING WITH THE J1 CONNECTOR, SLIDE ITEMS 3 THRU 5 OVER THE END OF ITEM 2 IN THE ORDER SHOWN UNTIL ITEM 5 SNAPS INTO THE GROOVE OF ITEM 2 (NOTE 2). REPEAT FOR THE REMAINING CONNECTORS (J2-J4) ENSURING THAT EACH CONNECTOR GOES INTO THE CORRECT JACK.
- INSERT ITEM 2 AND ITS ACCOMPANYING HARDWARE INTO ITEM 6 WHILE OBSERVING PROPER POLARITY OF JACK LOCATIONS. SCREW INTO PLACE WITH ITEMS 7 & 8 AND TIGHTEN TO 2.0 - 2.9 IN/LBS OF TORQUE.
- REPEAT STEPS 1 AND 2 FOR THE REMAINING BLOCK (ITEM 6) IN THAT SHELL.
- INSERT BOTH ASSEMBLED BLOCKS (ITEMS 2 THRU 8) INTO ITEM 9, SECURE BY SCREWING THE RETAINING BRACKETS (ITEM 1) INTO THE SHELL (ITEM 9) WITH ITEMS 10 AND 11 AND TIGHTEN TO 2.0 - 2.9 IN/LBS OF TORQUE.


(ITEM 9).



11	LOCKWASHER	*
10	SCREW	*
9	ARINC 600 SHELL (CUT AWAY VIEW)	*
8	FILLISTER HEAD SCREW	*
7	LOCK WASHER	*
6	FRONT BLOCK	*
5	RETAINING RING	1
4	SPRING	1
3	REAR BLOCK	*
2	M TYPE CONNECTOR (ATTACHED TO CABLE)	1
1	RETAINING BRACKET	*
ITEM NUMBER	DESCRIPTION	QTY EACH

NOTES:

- ASSEMBLE CONNECTOR BODY TO THE CABLE PER SHEET 1 THIS DRAWING.
 - A TOOL IS AVAILABLE UPON REQUEST FROM ECS TO ASSIST IN INSTALLING THE RETAINING RING. THE TOOL PART NUMBER IS 161M.
- * NOT SUPPLIED WITH M-SERIES CONNECTOR. QUANTITIES WILL VARY PER ARINC 600 CAVITY.

 ELECTRONIC CABLE SPECIALISTS	
<small>FRANKLIN, WI 53132 PHONE: (414) 421-0300</small>	
SIZE	DATE CODE
C 66197	
LEVEL	DWG NO.
	M0122
SCALE	SHEET 2 OF 3

This print and associated documents and the contained information are the confidential property of ELECTRONIC CABLE SPECIALISTS. Disclosure of, and/or reproduction of, all or part thereof or manufacture of any part from information contained on this print not specifically permitted by ELECTRONIC CABLE SPECIALISTS in writing is forbidden.

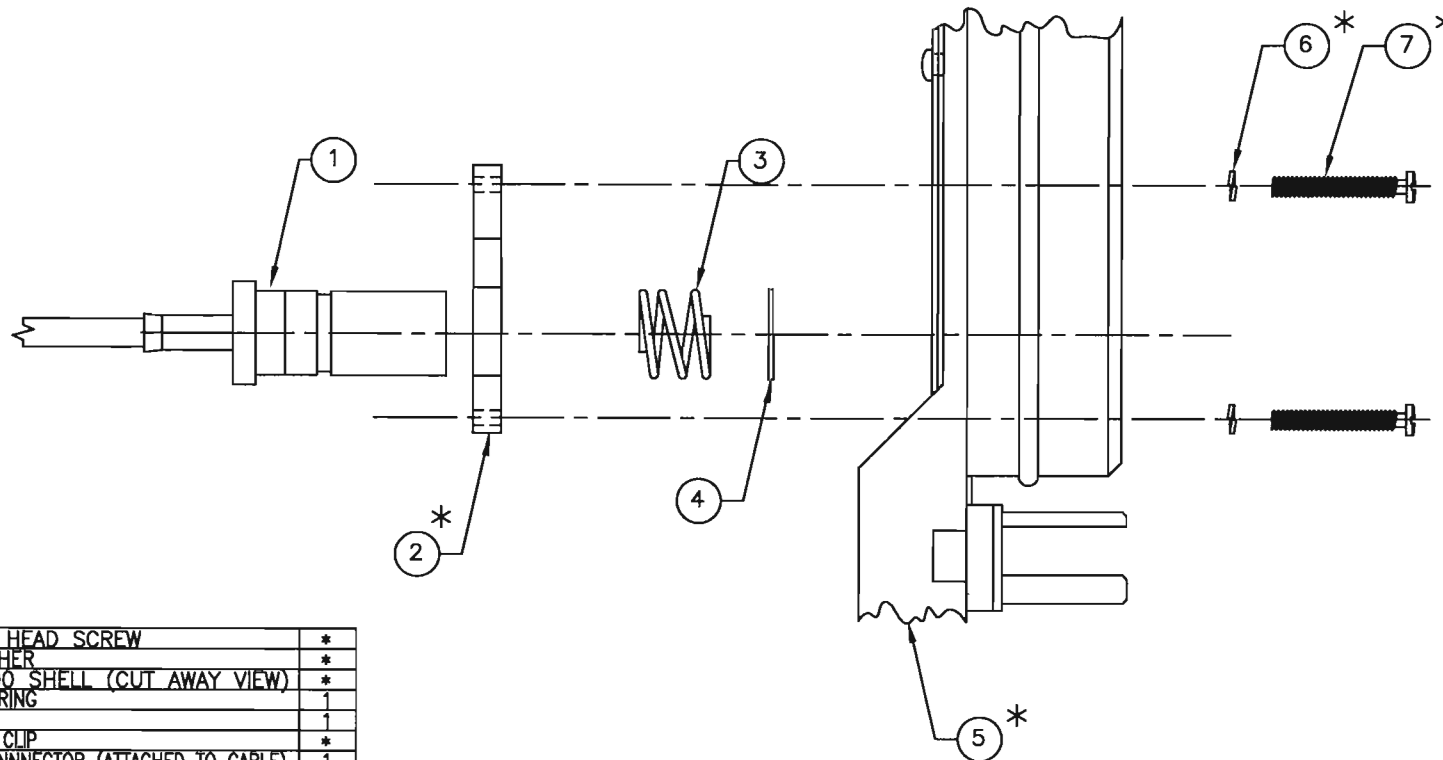
CAD GENERATED DOCUMENT

**** EAR CONTROLLED ****

ANY CHANGES TO THIS DOCUMENT
MUST BE SUBMITTED TO THE
DESIGN/DRAFTING DEPARTMENT
FOR PROPER UPDATE

INSTALLATION INSTRUCTIONS—RETAINING HARDWARE (FOR AMP. SOURIAU, AND RADIAL SHELL)

1. BEGINNING WITH THE J1 CONNECTOR, SLIDE ITEMS 3 AND 4 OVER THE END OF ITEM 1 IN THE ORDER SHOWN UNTIL ITEM 4 SNAPS INTO THE GROOVE OF ITEM 1 (NOTE 2). REPEAT FOR THE REMAINING CONNECTORS (J2-J4).
2. INSERT ITEM 1 AND ITS ACCOMPANYING HARDWARE INTO ITEM 2 WHILE OBSERVING PROPER JACK LOCATIONS. ITEM 2 SHOULD BE LOCATED BETWEEN THE ITEM 3 AND THE SHOULDER OF ITEM 1. REPEAT FOR THE REMAINING CONNECTORS.
3. INSERT ITEMS 1 THRU 4 INTO ITEM 5.
4. SLIDE ITEM 6 ONTO ITEM 7 AND SCREW ITEM 7 THROUGH ITEM 5 INTO ITEM 2. TIGHTEN ITEM 7 TO 2.0 TO 2.9 IN/LBS TORQUE.




7	FILLISTER HEAD SCREW	*
6	LOCK WASHER	*
5	ARINC 600 SHELL (CUT AWAY VIEW)	*
4	RETAINING RING	1
3	SPRING	1
2	SERPENTINE CLIP	*
1	M TYPE CONNECTOR (ATTACHED TO CABLE)	1
ITEM NUMBER	DESCRIPTION	QTY EACH

NOTES:

1. ASSEMBLE CONNECTOR BODY TO THE CABLE PER SHEET 1 THIS DRAWING.
2. A TOOL IS AVAILABLE UPON REQUEST FROM ECS TO ASSIST IN INSTALLING THE RETAINING RING. THE TOOL PART NUMBER IS 161M.

* NOT SUPPLIED WITH M-SERIES CONNECTOR. QUANTITIES WILL VARY PER ARINC 600 CAVITY.

		ELECTRONIC CABLE SPECIALISTS FRANKLIN, WI 53132 PHONE: (414) 421-5300	
SIZE C	CHANGE CODE 66197	LEVEL	DWG. NO. M0122
SCALE	EFFECTIVITY	SHEET 3 OF 3	