

4

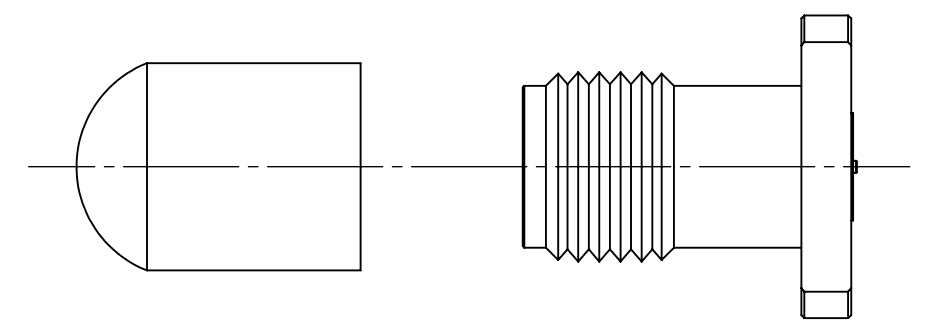
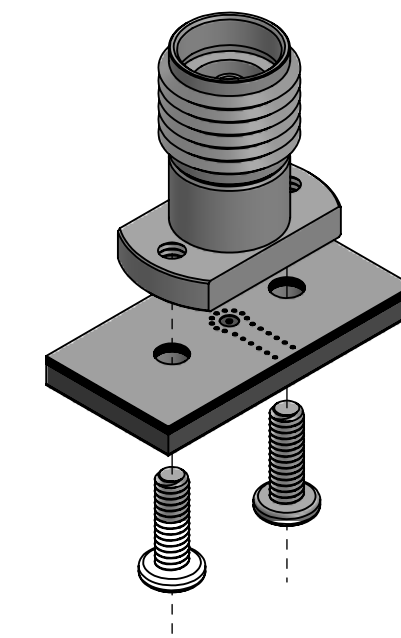
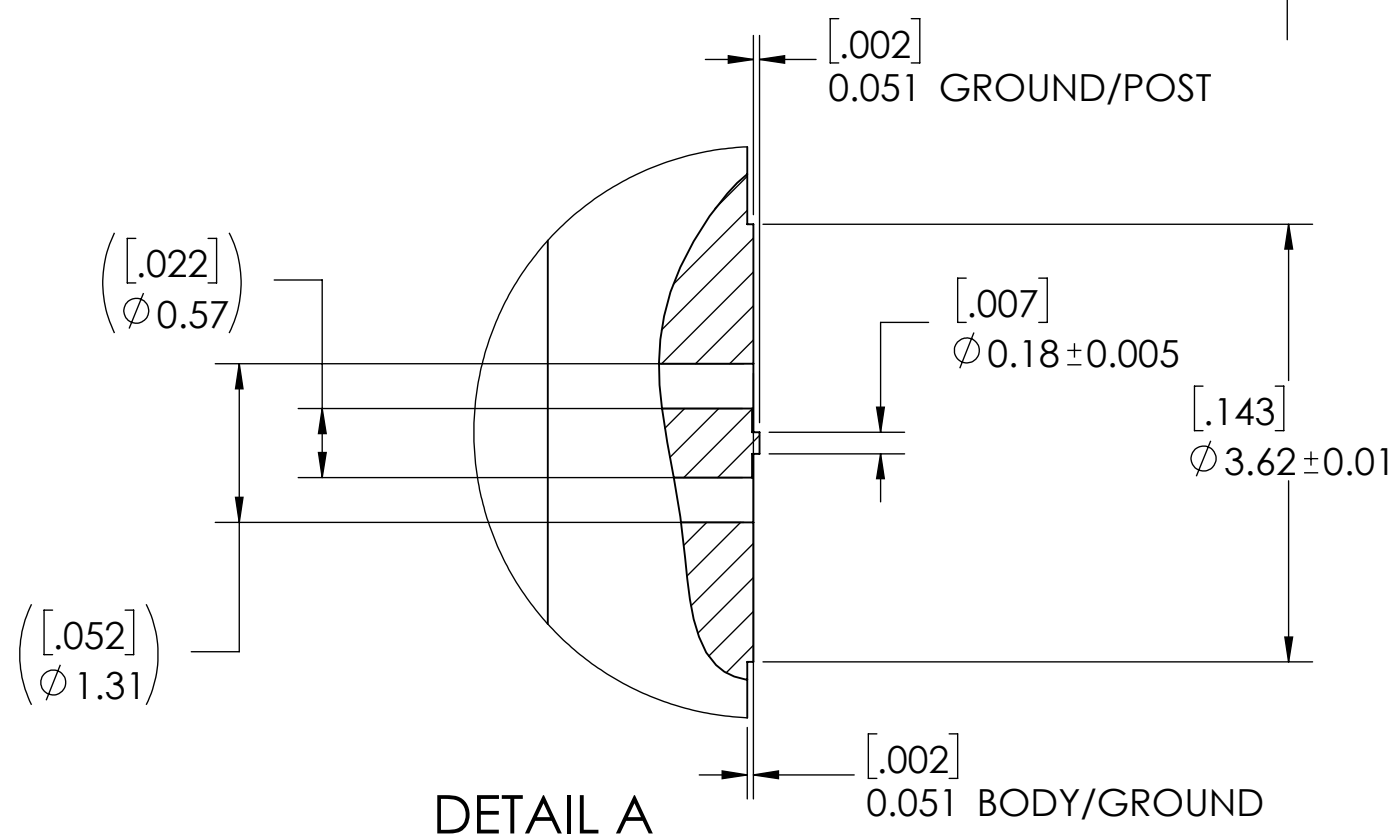
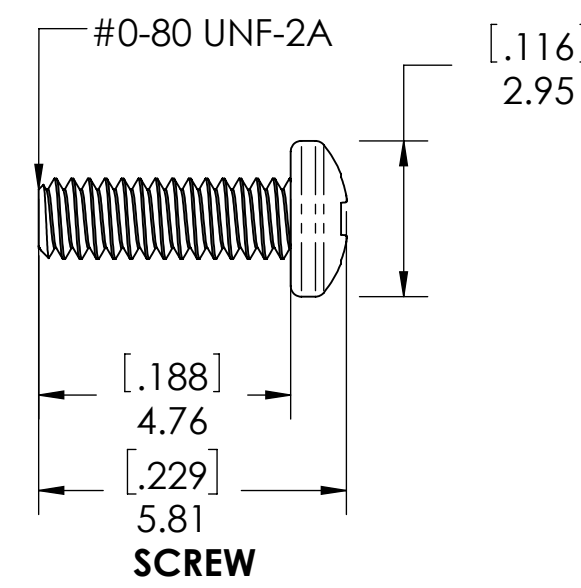
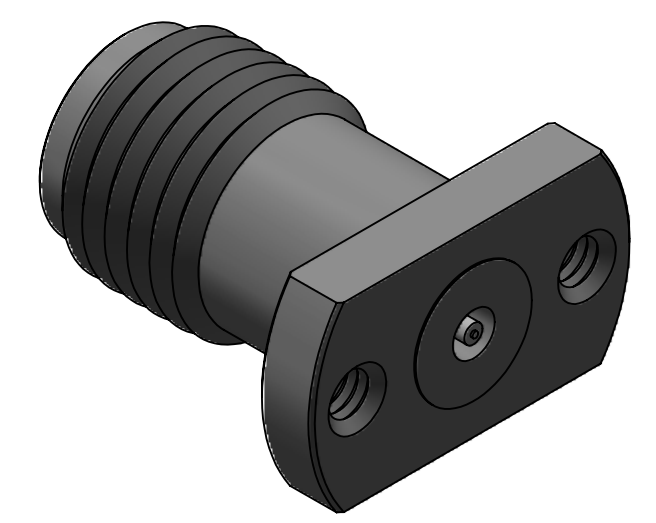
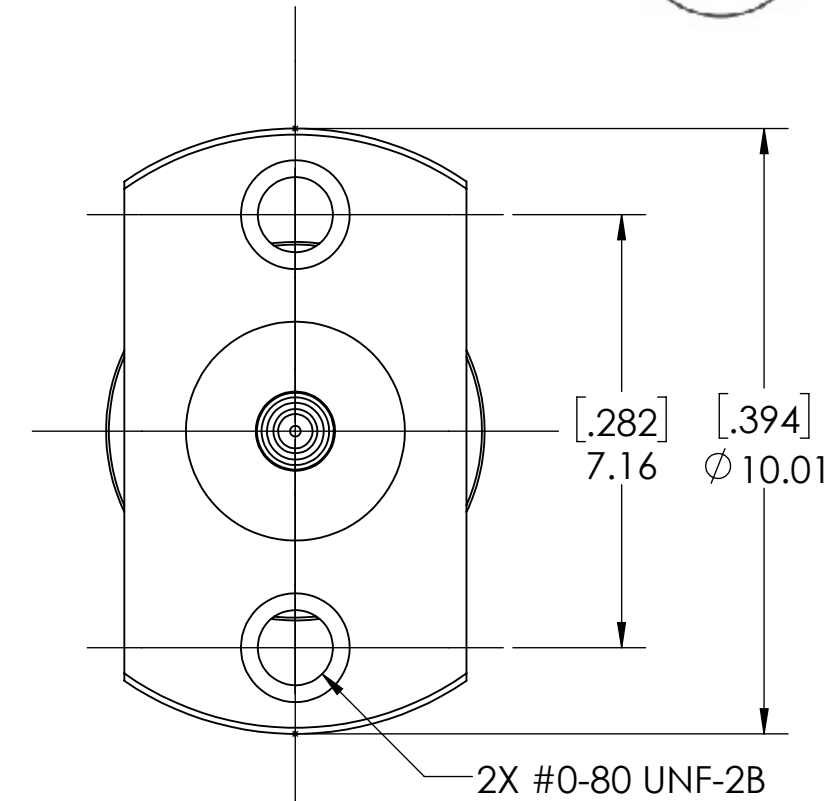
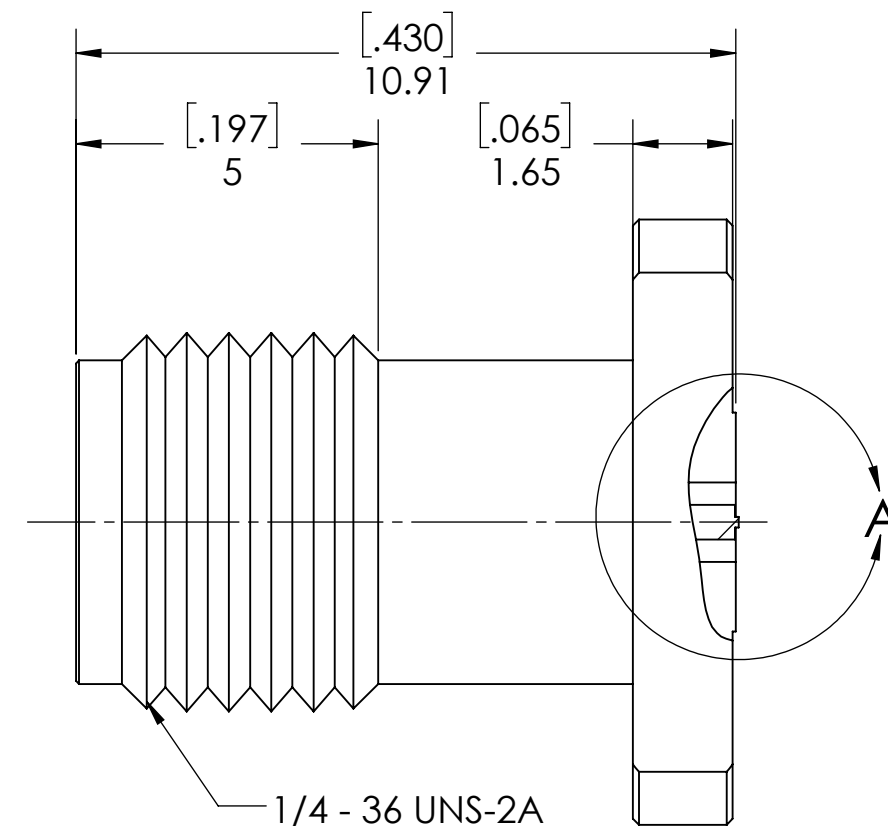
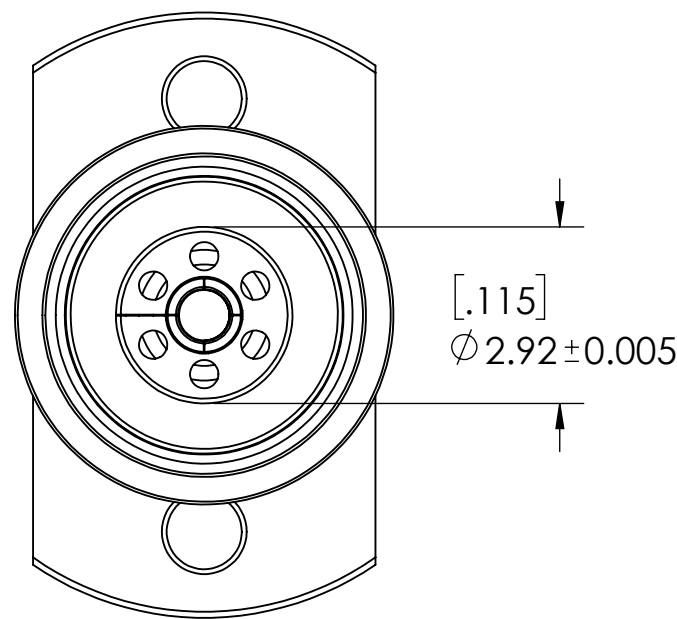
3

2

1



REVISIONS			
REV.	DESCRIPTION	DATE	APPROVED
-	INITIAL RELEASE	11/21/2018	DL
1	ADDED SHEET 2 PCB DEFINITION	2/20/2019	PV
2	UPD PCB (COMMON SL AND CPW)	5/13/2019	PV
3	CHANGED PN, WAS: TMB-V9F2-1L1	1/9/2020	PV
4	UPD TO SHOW VERISON F	7/24/2020	FY
5	ADD MOUNTING SCREWS INFO TO TABLE	9/15/2021	JZ



PROTECTION CAP

- NOTE(S):
1. These characteristics are typical and for reference.
 2. 4K99981010
 3. DYH: 61-20014-44050F
 4. See sheet 2 for PCB interface definition.

DETAIL A
SCALE 16 : 1

MATERIAL(S) :	ELECTRICAL(S) :	MECHANICAL(S) :	ENVIRONMENTAL(S) :
Body: Stainless Steel Center Conductor: Beryllium Copper Insulator: PCTFE, white RoHS Compliant Protective Cap: Soft PVC Color: Yellow Mounting Screws: Stainless Steel	Impedence: 50 Ohms Nominal Frequency Range: DC to 40 GHz VSWR: 1.30 max at 40 GHz Working Voltage: 500 V RMS max @ Sea Level Dielectric Withstand Voltage: 1000 V RMS max. Insulation Resistance: 5000 megaohms min. Contact Resistance: Initial: Center Contact: 3 Milliohms max Outer Contact: 2 Milliohms max Insertion Loss: <0.38 db @ 40 GHz	Mating Characteristics: Interface per MIL-STD-348 Force to Engage & Disengage: Torque: 2 inch-pounds max Longitudinal Force: NA Connector Durability: 500 Cycles min. Permeability: Less than 2.0 mu. Center Contact Retention: Axial Force: 6 pounds min. Radial Force: NA	Temperature Range: -55 °C to +85 °C Moisture Resistance: MIL-STD-202, Method 103, Test Condition B Corrosion: MIL-STD-202, Method 101, Test Condition B Vibration: MIL-STD-202, Method 204, Test Condition A Shock: MIL-STD-202, Method 213, Test Condition 1

FINISH(ES) :
Body: Passivated Center Conductor: Gold Plating Mounting Screws: Passivated

APPLICABLE CARLISLE IT DOCUMENTS		
WORK STANDARD	PROD INSTRUC	ASSY INSTRUC
NA	NA	NA

NOTICE
 THIS DRAWING EMBODIES A CONFIDENTIAL PROPRIETARY DESIGN ORIGINATED BY CARLISLE INTERCONNECT TECHNOLOGIES & ALL DESIGN, MANUFACTURING, REPRODUCTION, USE & SALE RIGHTS REGARDING THE SAME ARE EXPRESSLY RESERVED. IT IS SUBMITTED UNDER A CONFIDENTIAL RELATIONSHIP FOR A SPECIFIED PURPOSE & THE RECIPIENT AGREES BY ACCEPTING THIS DRAWING NOT SUPPLY OR DISCLOSE ANY INFORMATION REGARDING IT TO ANY UNAUTHORIZED PERSON TO INCORPORATE IN OTHER PROJECTS ANY SPECIAL FEATURES PECULIAR TO THIS DESIGN. ALL PATENT RIGHTS HERETO ARE EXPRESSLY RESERVED BY CARLISLE INTERCONNECT TECHNOLOGIES, CERRITOS, CALIFORNIA 90703

TOLERANCES AND NOTES
EXCEPT AS NOTED
THIRD ANGLE PROJECTION
SCALE 8:1
DIMENSIONS ARE IN [INCHES] MM
.XX DECIMALS ±.063
.XXX DECIMALS ±.01

APPROVAL	INITIALS	DATE
DRAWN BY	DL	11.21.18
CHECKED BY	KM	11.21.18
DESIGN ENG		
APPR BY		

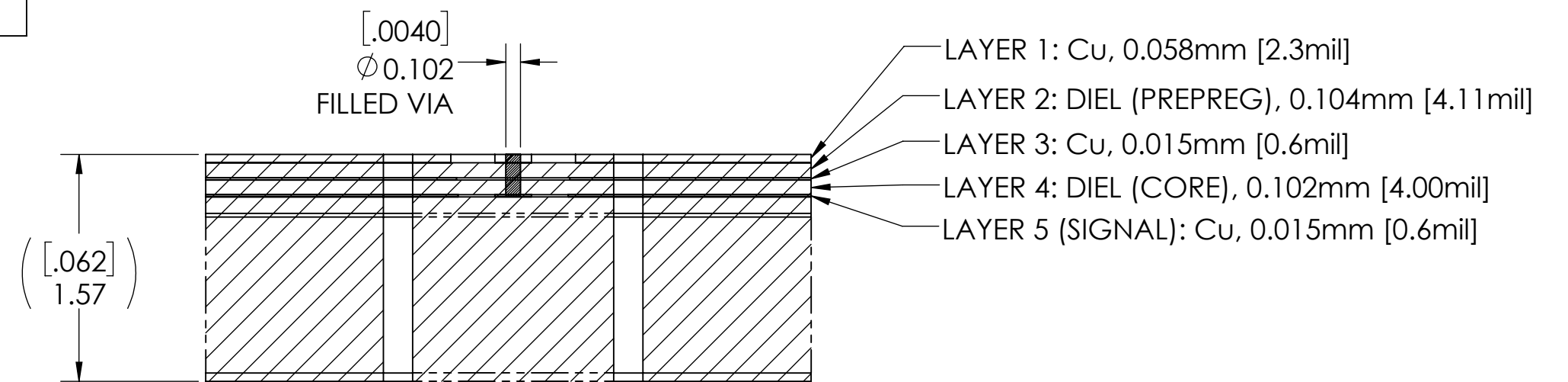
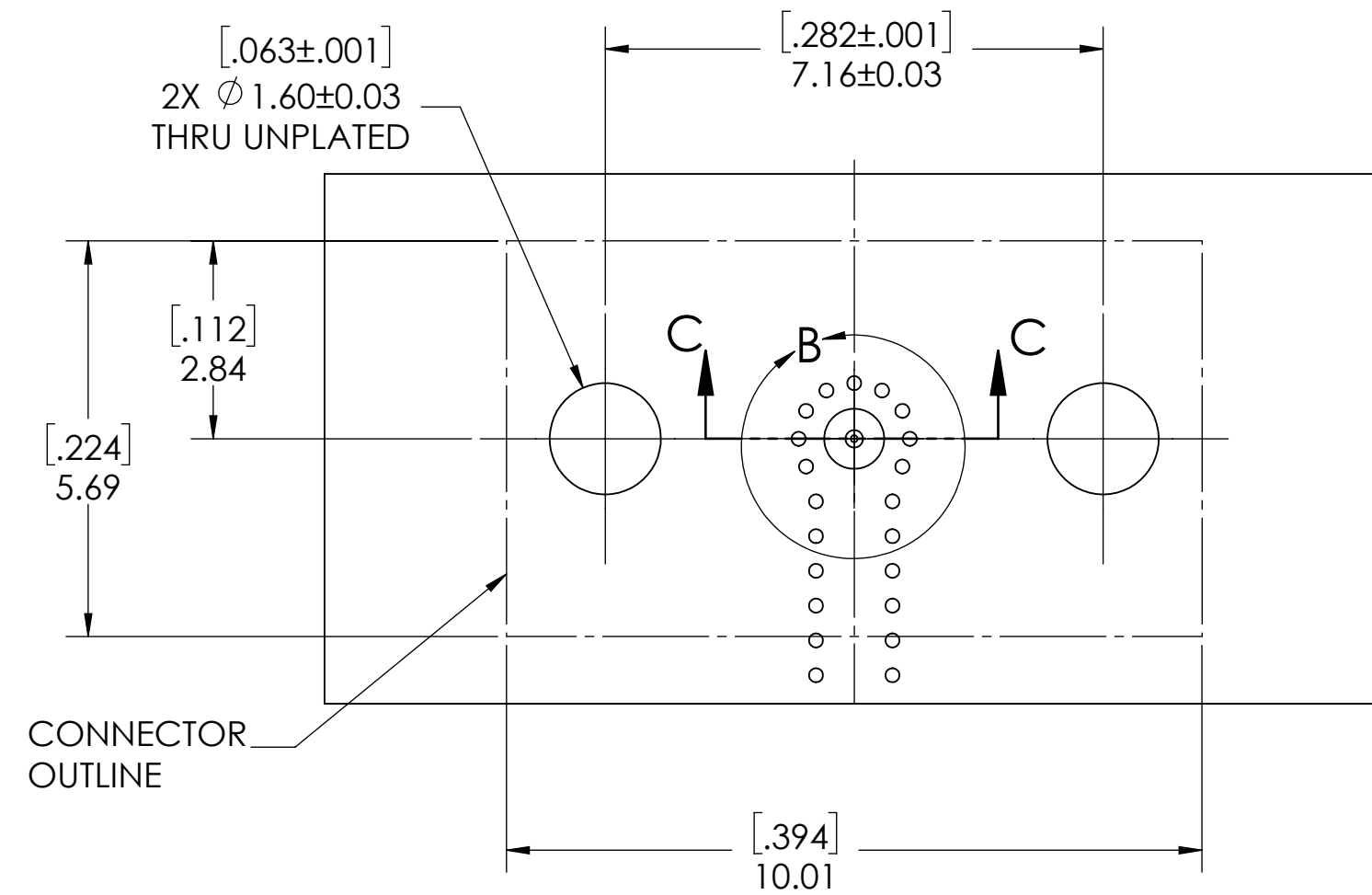
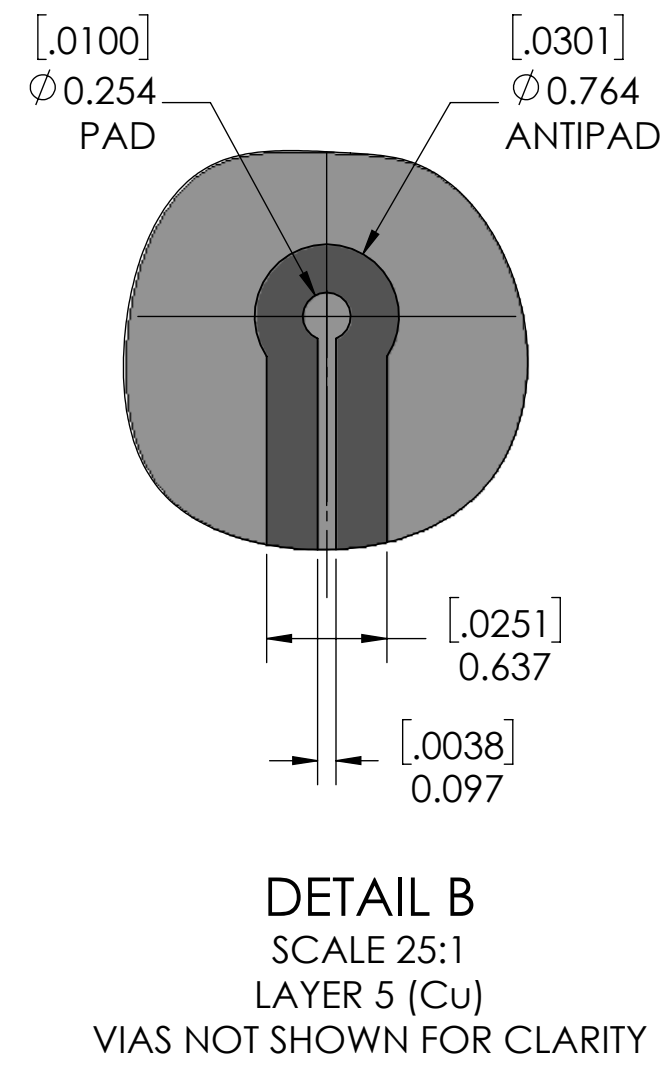
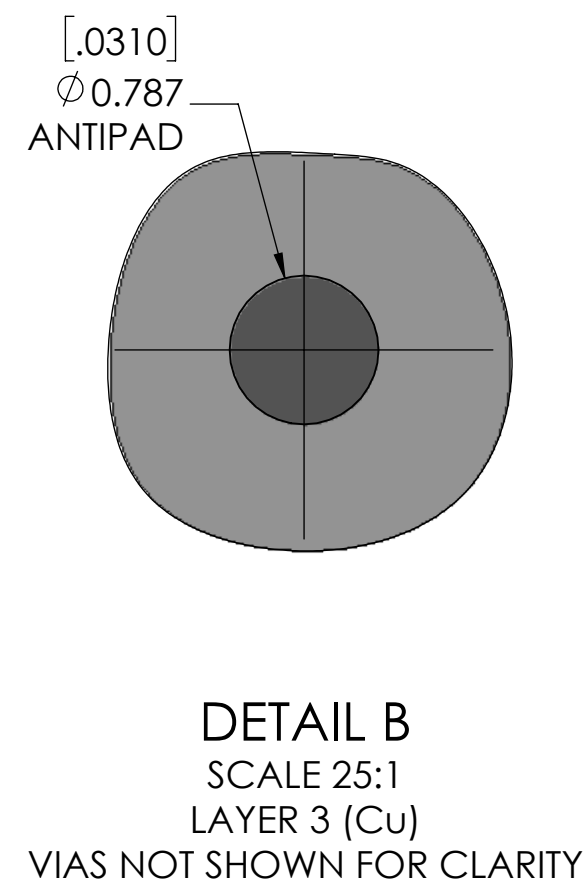
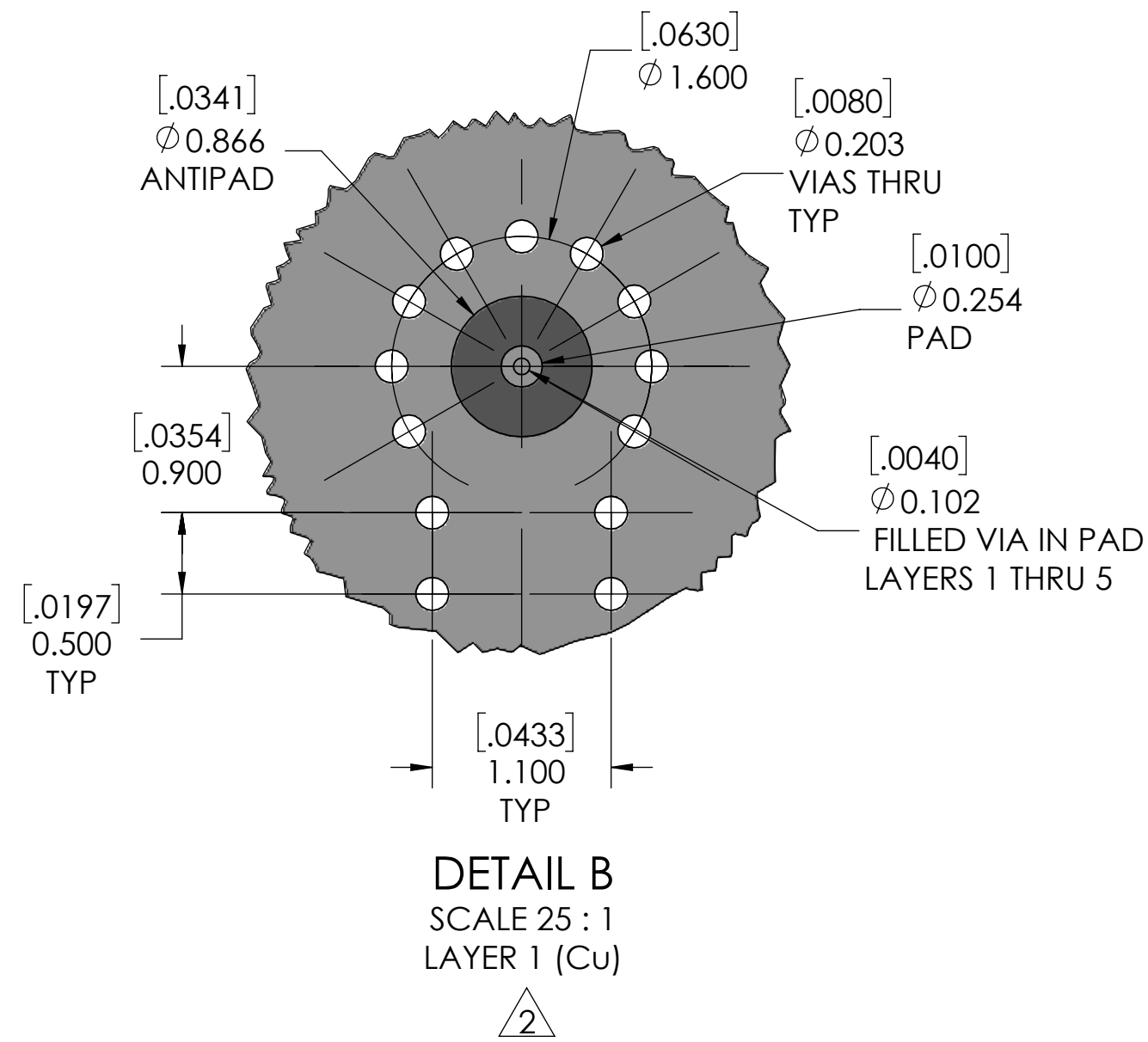
 Dongguan City, Guangdong P.R. China 523533
 TITLE: 2.92mm FEMALE 2 HOLE FLANGE POST CONTACT
 SCALE: 8:1
 SUB-DIRECTORY/ OUTLINE/
 DRAWING NO. TMB-V9F2-XL1
 SHEET 1 OF 2
 REV. 5

4

3

2

1



PCB LAYOUT
(FOR REFERENCE ONLY)

SECTION C-C
SCALE 25 : 1
PCB LAYER DEFINITION

SCALE	SUB-DIRECTORY/		SHEET 2 OF 2
10:1			
SIZE	CAGE CODE	DRAWING NO.	REV.
C		TMB-V9F2-XL1	5