

SPECIFICATIONS:

ELECTRICAL RATINGS

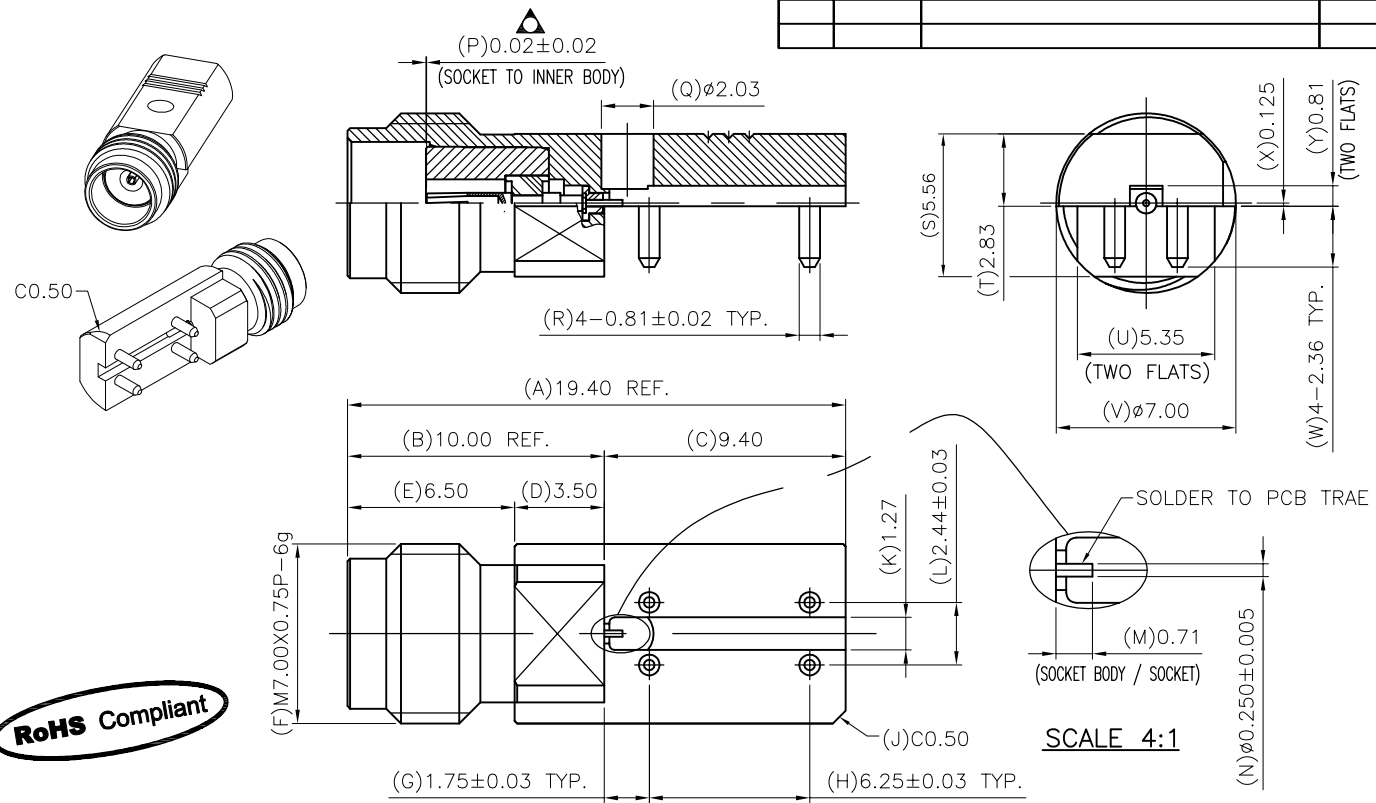
| | |
|--|---------------------|
| Impedance | 50 ohm |
| Frequency Range | 0 ~ 67 GHz |
| V.S.W.R. | 1.30 max. at 67 GHz |
| Insertion Loss | ≤ 0.49 DB at 67 GHz |
| Working Voltage (at Sea Level) | 400 V RMS max. |
| Dielectric Withstanding Voltage (at Sea Level) | 500 V RMS min. |
| Contact Resistance | |
| Center Contact | 1.5 Milliohms max. |
| Outer Contact | 0.8 Milliohms max. |
| Insulation Resistance | 5000 megohms min. |
| Temperature Range | -55°C to +85°C |
| Durability | ≥ 500 Cycles |

NOTES:

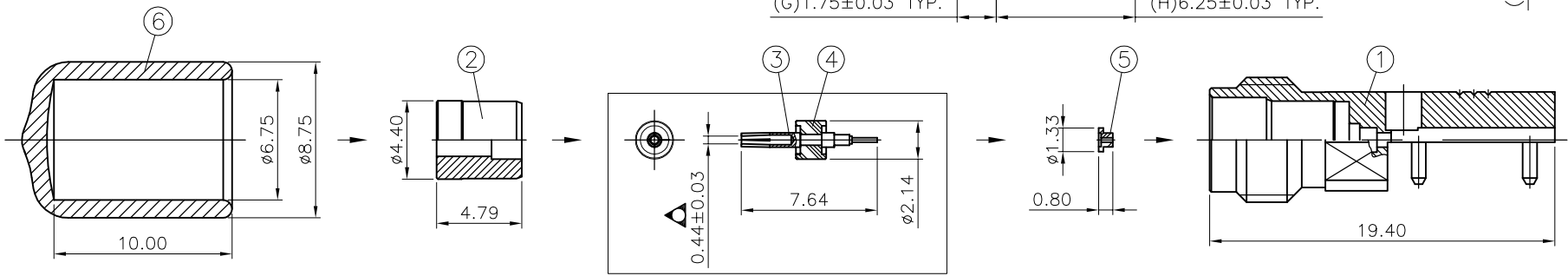
- These characteristics are typical and for reference.
- ▲ Represents a critical dimension.
- ▲ Pushout force for insulator: 44.48 N (10 LB) min.
- ▲ Pushout force for pin: 13.35 N (3 LB) min.
- △ Product to be packaged 100 parts per tray.
(1 part per pocket)
- △ Protection cap must be installed before packing.

RoHS Compliant

| REV. | REGION | DESCRIPTION | DATE | DWN |
|------|--------|----------------------|-----------|-----|
| 00 | | Preliminary released | 19.Feb.20 | Bob |



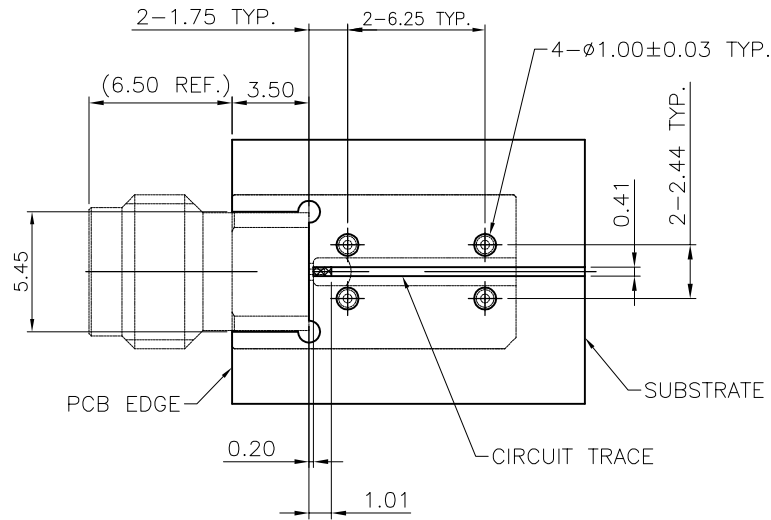
SCALE 4:1



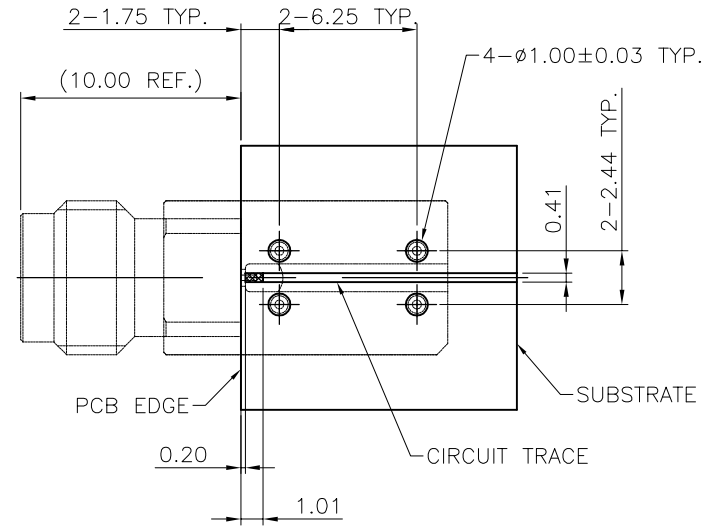
| ITEM | DESCRIPTION | MATERIAL | FINISH | Q'TY |
|------|----------------|-------------------|----------------------------|------|
| 6 | PROTECTION CAP | SOFT PVC (PURPLE) | N/A | 1 |
| 5 | INSULATOR 2 | PTFE (WHITE) | N/A | 1 |
| 4 | INSULATOR 1 | PTFE (WHITE) | N/A | 1 |
| 3 | SOCKET | BeCu C17300 | Cu0.75um Ni2.50um Au0.75um | 1 |
| 2 | INNER BODY | BRASS C3604B | Cu0.75um Ni2.50um Au0.25um | 1 |
| 1 | BODY | BRASS C3604B | Cu0.75um Ni2.50um Au0.25um | 1 |

| | | | | |
|---|---------------------------|---|-------------------------------|--|
| ▲ KEY DIMENSION NEED 100% INSPECTION (XX) REF. DIMENSION FOR REF. ONLY | Drawn: Bob | Dongguan City, Guangdong P.R. China 523533 | Project Name: | |
| | Checked: Emad | | Material: SEE BOM | 1.85mm STR. JACK EDGE MOUNT (WITH FEET), PCB CONNECTOR, WITH .010" PIN |
| Approved: Emad | Part Numble: TMB-E8FS-1ST | | Part Name: Connector Assembly | Revision: 00 |
| Information contained on this drawing is confidential and may also contain proprietary CARLISLE/customer information. Drawing content is only intended for use of the above customer If you are not the intended recipient or authorized employee of above company name, you are hereby notified any use, duplication, reconstruction, or distribution of drawing information is strictly prohibited. | | SIZE A4 | DO NOT SCALE DRAWING | |

| REV. | REGION | DESCRIPTION | DATE | DWN |
|------|--------|----------------------|-----------|-----|
| 00 | | Preliminary released | 19.Feb.20 | Bob |
| | | | | |
| | | | | |



(OPTION 1)



(OPTION 2)

RECOMMENDED PCB LAYOUT

| | | | | |
|---|-----------------------------|--|--|-------------------|
| <p>▲ KEY DIMENSION NEED 100% INSPECTION</p> <p>(XX) REF. DIMENSION FOR REF. ONLY</p> | Drawn: Bob | | Dongguan City, Guangdong P.R. China 523533 | |
| | Checked: Emad | | Approved: Emad | Material: SEE BOM |
| <p>Information contained on this drawing is confidential and may also contain proprietary CARLISLE/customer information. Drawing content is only intended for use of the above customer. If you are not the intended recipient or authorized employee of above company name, you are hereby notified any use, duplication, reconstruction, or distribution of drawing information is strictly prohibited.</p> | Part Numble: TMB-E8FS-1ST | | 1.85mm STR. JACK EDGE MOUNT (WITH FEET), PCB CONNECTOR, WITH .010" PIN | |
| | SIZE A4 | | Part Name: Connector Assembly | Revision: 00 |
| | DO NOT SCALE DRAWING | | | Date: 19.Feb.20 |