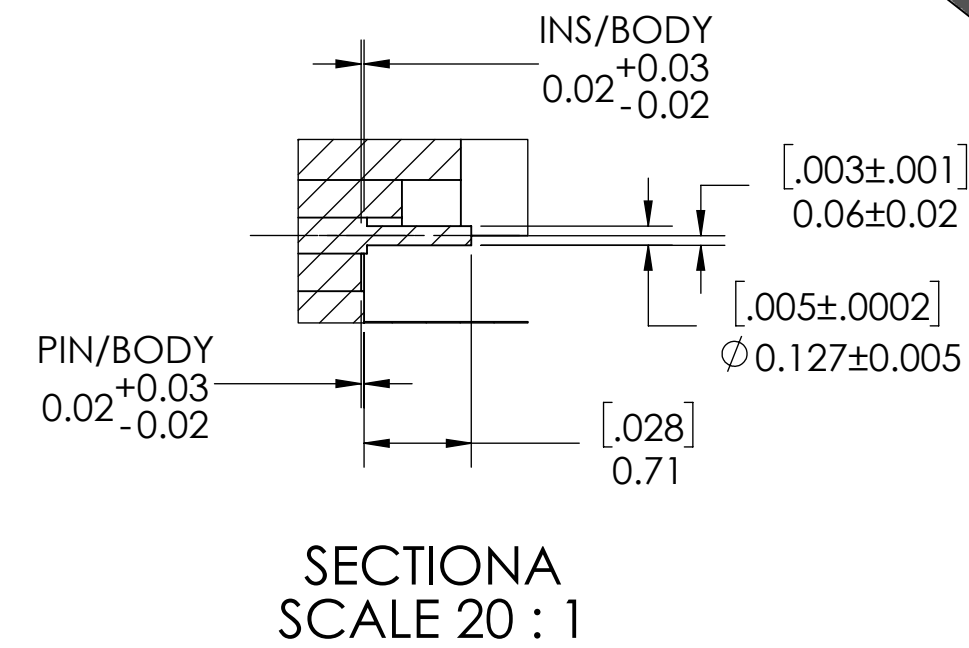
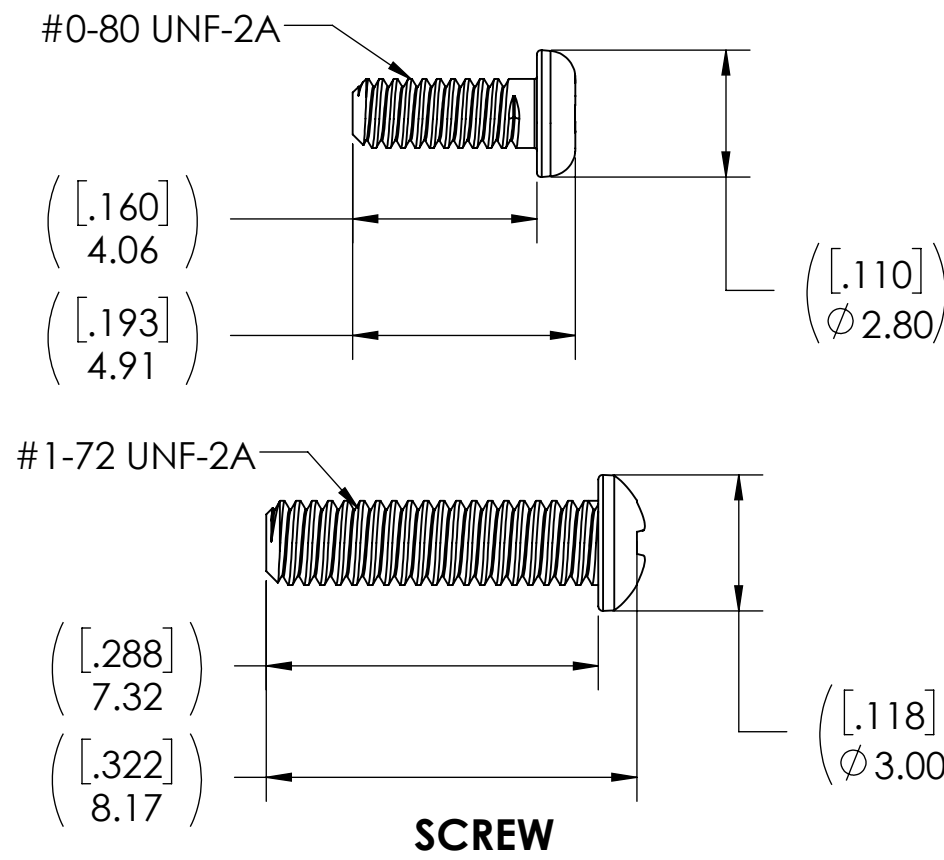
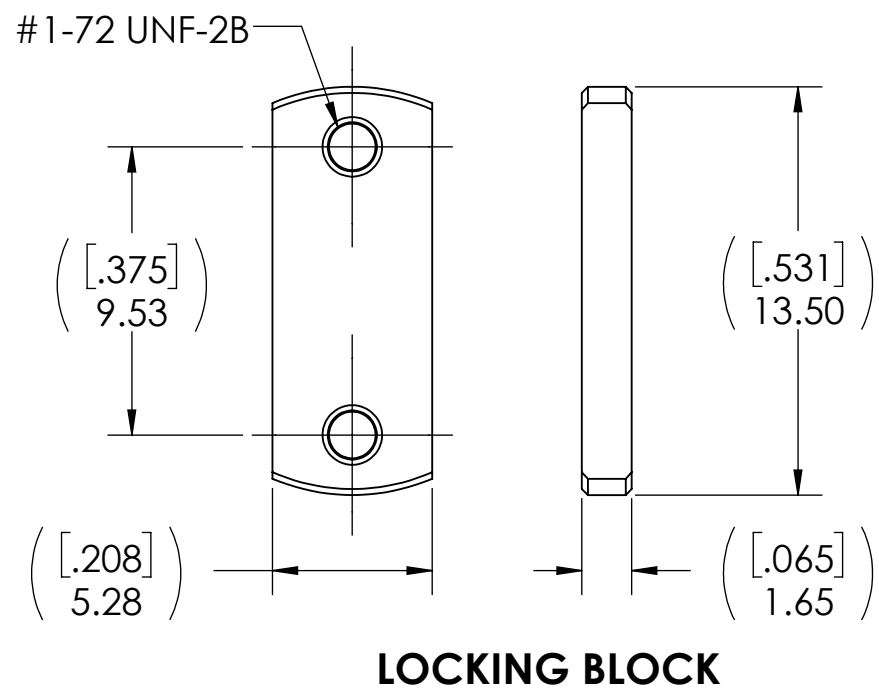
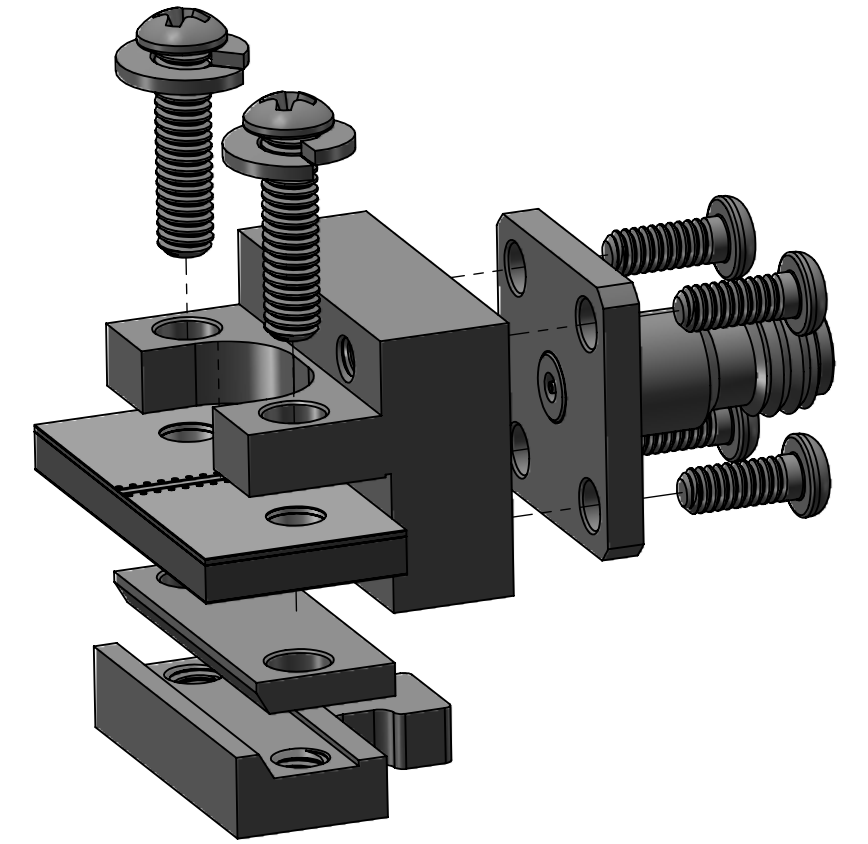
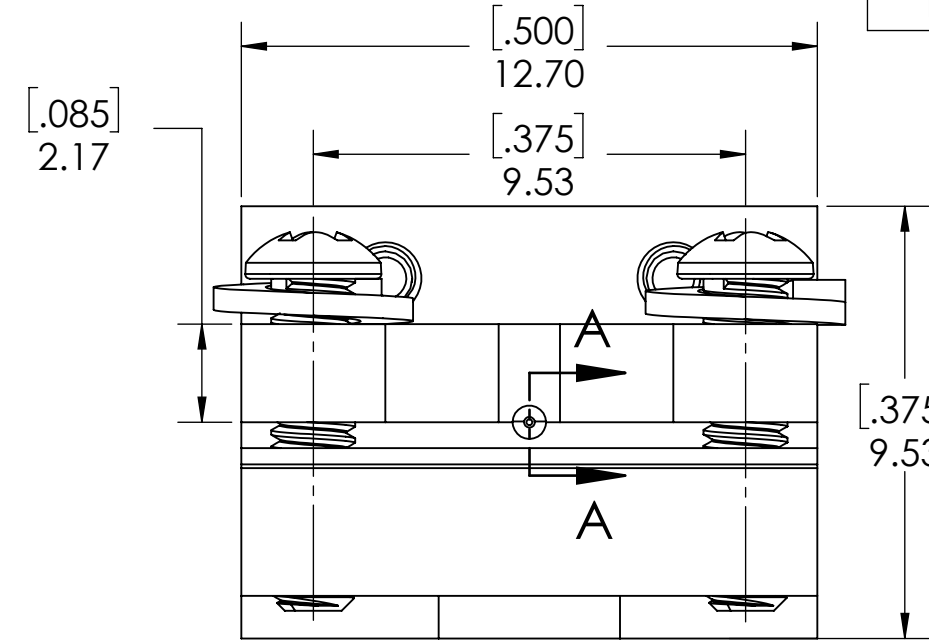
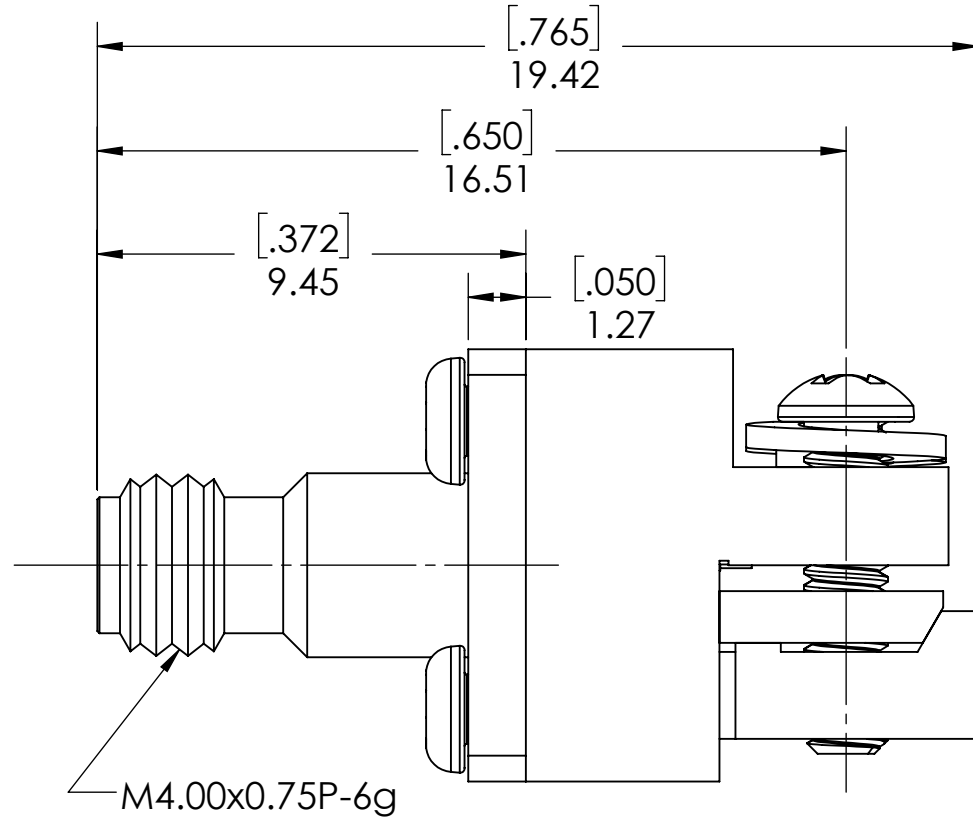
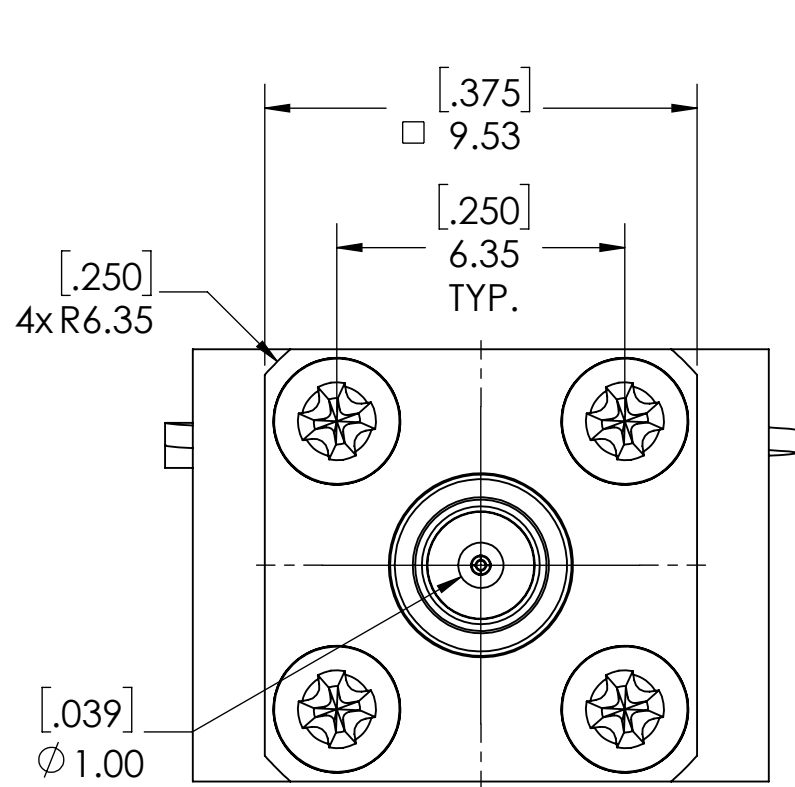




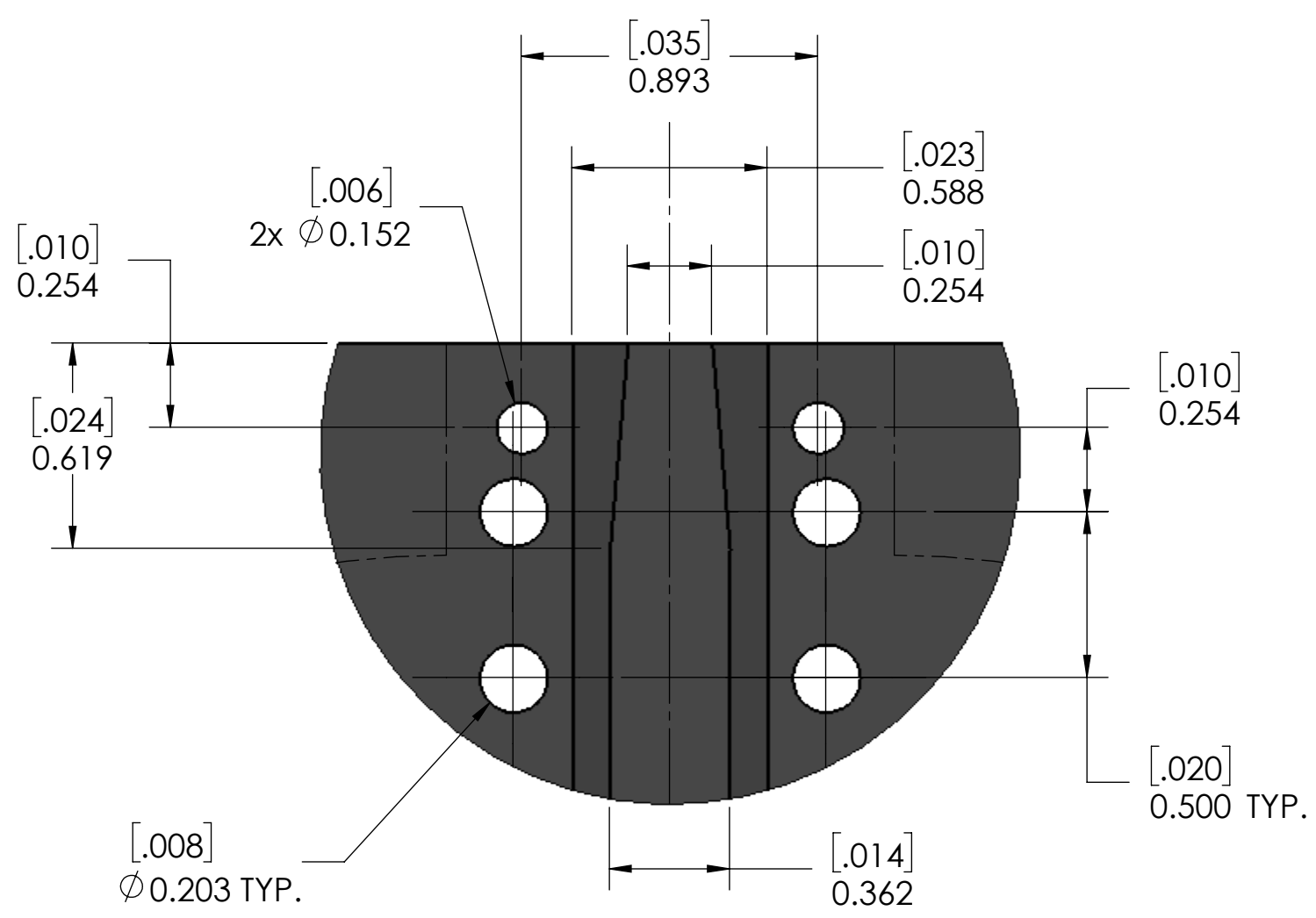
REVISIONS			
REV.	DESCRIPTION	DATE	DWN
A	RELEMINARY RELEASED	23.Jun.21	James
B	ADD DIMENSION 0.06	3.Sep.21	James
C	REVISED THE TOLERANCE IN SECTION A VIEW	7.Sep.21	James
D	ADD MOUNTING SCREWS INFO TO TABLE	16.Sep.21	James



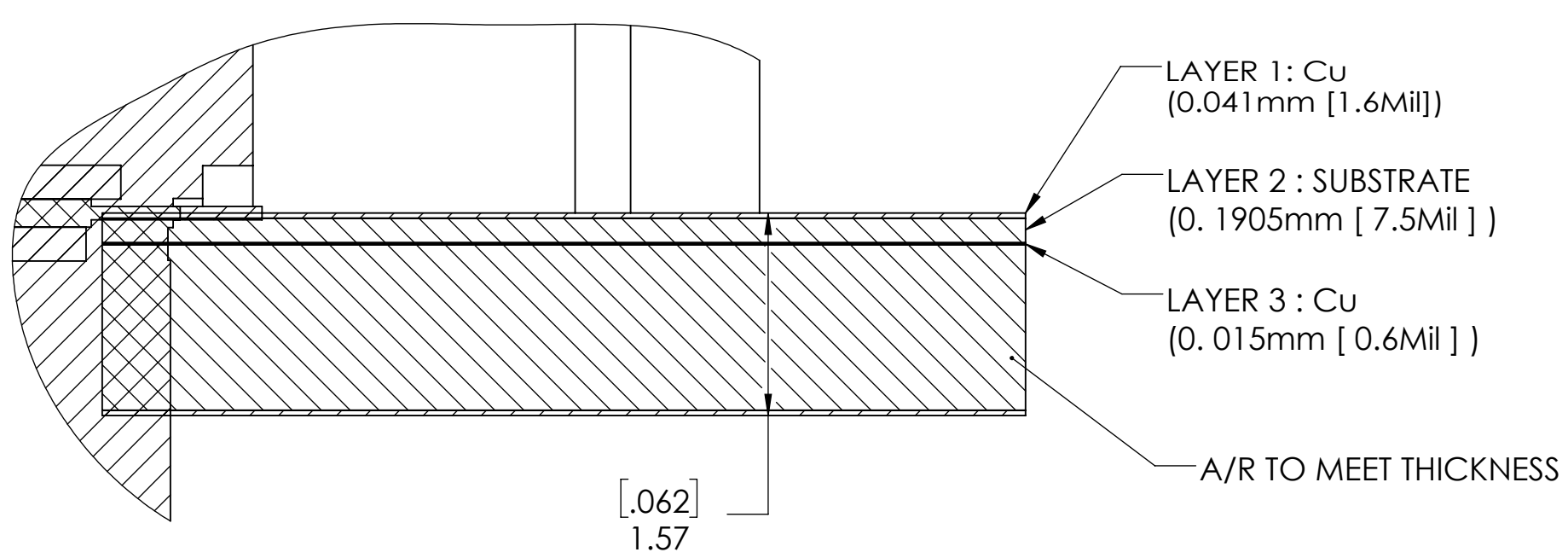
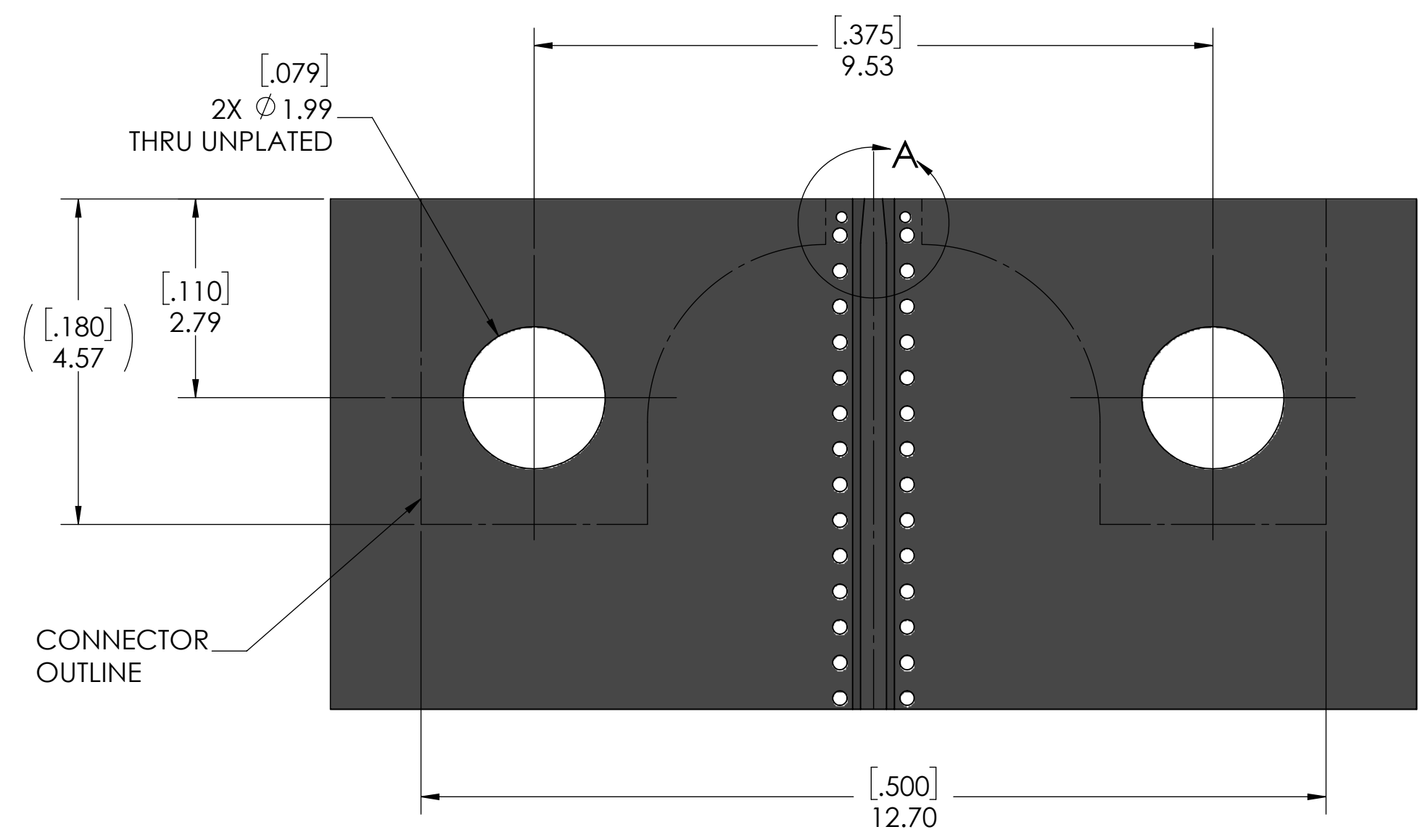
- NOTE(S):
1. These characteristics are typical and for reference.
 2. See sheet 2 for PCB definition .

MATERIAL(S) :	ELECTRICAL(S) :	MECHANICAL(S) :	ENVIRONMENTAL(S) :
Body: Stainless Steel Center Conductor: Beryllium Copper Insulator: Insulator 1: PCTFE, white Insulator 2: PTFE, white RoHS Compliant Protective Cap: Soft PVC Color: Grey Mounting Screws: Stainless Steel	Impedance: 50 Ohms Nominal Frequency Range: DC to 110 GHz VSWR: 1.5:1 max at 110 GHz IL: 1.26dB max AT 110GHz Working Voltage: 400 Vrms max @ Sea Level Dielectric Withstand Voltage: 500 Vrms max. Insulation Resistance: 1000 Megaohms min. Contact Resistance: Center Contact: 4.0 Milliohms max Outer Contact: 0.2 Milliohms max	Mating Characteristics: Interface per MIL-STD-348 Force to Engage & Disengage: Torque: 2 inch-pounds max Longitudinal Force: NA Connector Durability: 500 Cycles min. Permeability: Less than 2.0 mu. Center Contact Retention: Axial Force: 6 pounds min. Radial Force: NA	Temperature Range: -55°C to +165°C Moisture Resistance: MIL-STD-202, Method 103, Test Condition B Corrosion: MIL-STD-202, Method 101, Test Condition B Vibration: MIL-STD-202, Method 204, Test Condition A Shock: MIL-STD-202, Method 213, Test Condition 1

FINISH(ES) :	APPLICABLE CARLISLE IT DOCUMENTS	TOLERANCES AND NOTES	APPROVAL	INITIALS	DATE	 Dongguan City, Guangdong P.R. China 523533 TITLE 1.0mm JACK 4-HOLE FLANGE, EDGE MOUNT (SOLDERLESS) SCALE 5:1 SUB-DIRECTORY/ _OUTLINE/ SHEET 1 OF 1 SIZE C DRAWING NO. TMB-E1F4-1L1 REV. D																		
Body: Passivated Center Conductor: Gold Plating Mounting Screws: Passivated	<table border="1"> <thead> <tr> <th>WORK STANDARD</th> <th>PROD INSTRUC</th> <th>ASSY INSTRUC</th> </tr> </thead> <tbody> <tr> <td>NA</td> <td>NA</td> <td>NA</td> </tr> </tbody> </table>	WORK STANDARD	PROD INSTRUC	ASSY INSTRUC	NA		NA	NA	EXCEPT AS NOTED THIRD ANGLE PROJECTION SCALE 5:1 DIMENSIONS ARE IN [INCHES] ANGLES ±2° MM .XX DECIMALS ±.063 .XXX DECIMALS ±.01	<table border="1"> <tr> <td>DRAWN BY</td> <td>James</td> <td>23.Jun.21</td> </tr> <tr> <td>CHECKED BY</td> <td></td> <td></td> </tr> <tr> <td>DESIGN ENG</td> <td></td> <td></td> </tr> <tr> <td>APPR BY</td> <td></td> <td></td> </tr> </table>	DRAWN BY	James	23.Jun.21	CHECKED BY			DESIGN ENG			APPR BY				
WORK STANDARD	PROD INSTRUC	ASSY INSTRUC																						
NA	NA	NA																						
DRAWN BY	James	23.Jun.21																						
CHECKED BY																								
DESIGN ENG																								
APPR BY																								
<p>NOTICE</p> <p>THIS DRAWING EMBODIES A CONFIDENTIAL PROPRIETARY DESIGN ORIGINATED BY CARLISLE INTERCONNECT TECHNOLOGIES & ALL DESIGN, MANUFACTURING, REPRODUCTION, USE & SALE RIGHTS REGARDING THE SAME ARE EXPRESSLY RESERVED. IT IS SUBMITTED UNDER A CONFIDENTIAL RELATIONSHIP FOR A SPECIFIED PURPOSE & THE RECIPIENT AGREES BY ACCEPTING THIS DRAWING NOT SUPPLY OR DISCLOSE ANY INFORMATION REGARDING IT TO ANY UNAUTHORIZED PERSON TO INCORPORATE IN OTHER PROJECTS ANY SPECIAL FEATURES PECULIAR TO THIS DESIGN. ALL PATENT RIGHTS HERETO ARE EXPRESSLY RESERVED BY CARLISLE INTERCONNECT TECHNOLOGIES, CERRITOS, CALIFORNIA 90703</p>																								



DETAIL A
SCALE 50 : 1



PCB LAYOUT CPW
(FOR REFERENCE ONLY)

SCALE	SUB-DIRECTORY/	SHEET 2 OF 2
10:1		
SIZE	CAGE CODE	DRAWING NO.
C		TMB-E1F4-1L1
		REV. D