

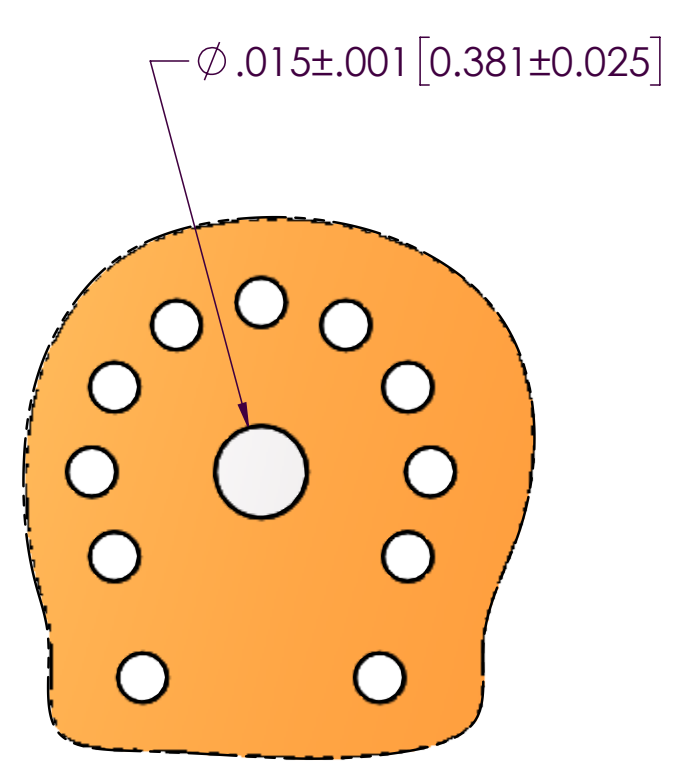
4

3

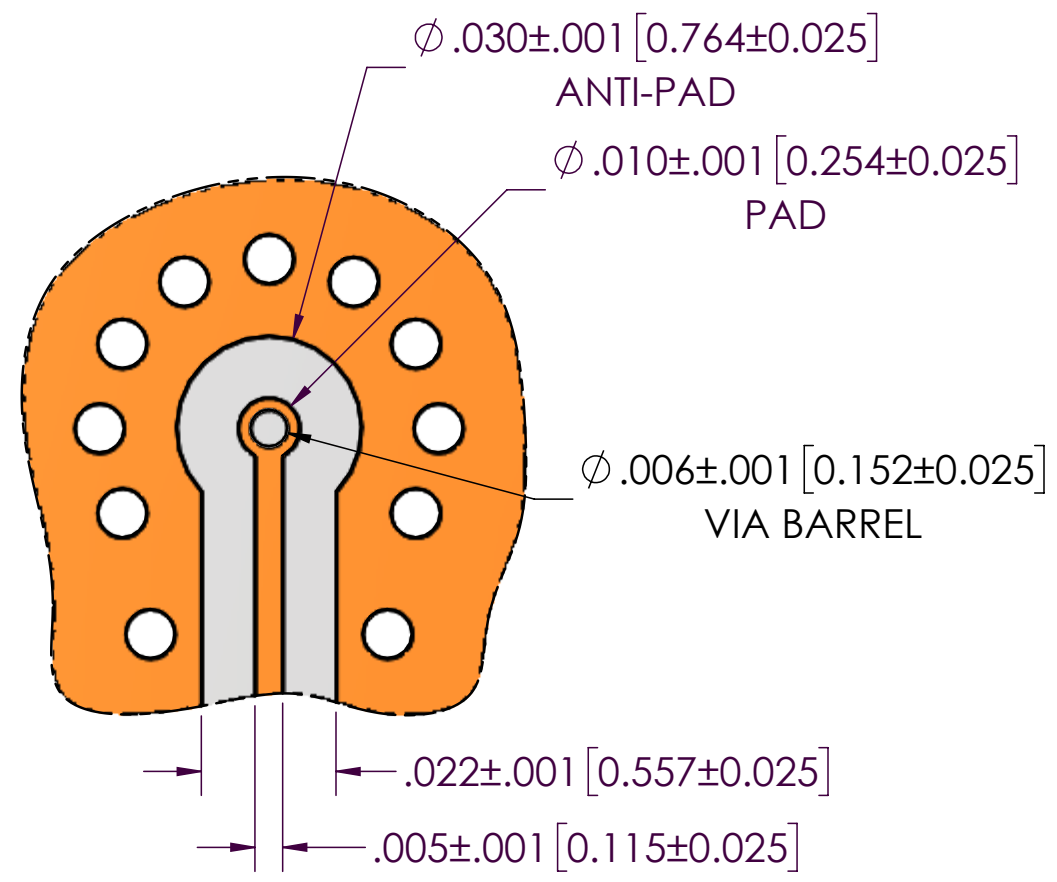
2

1

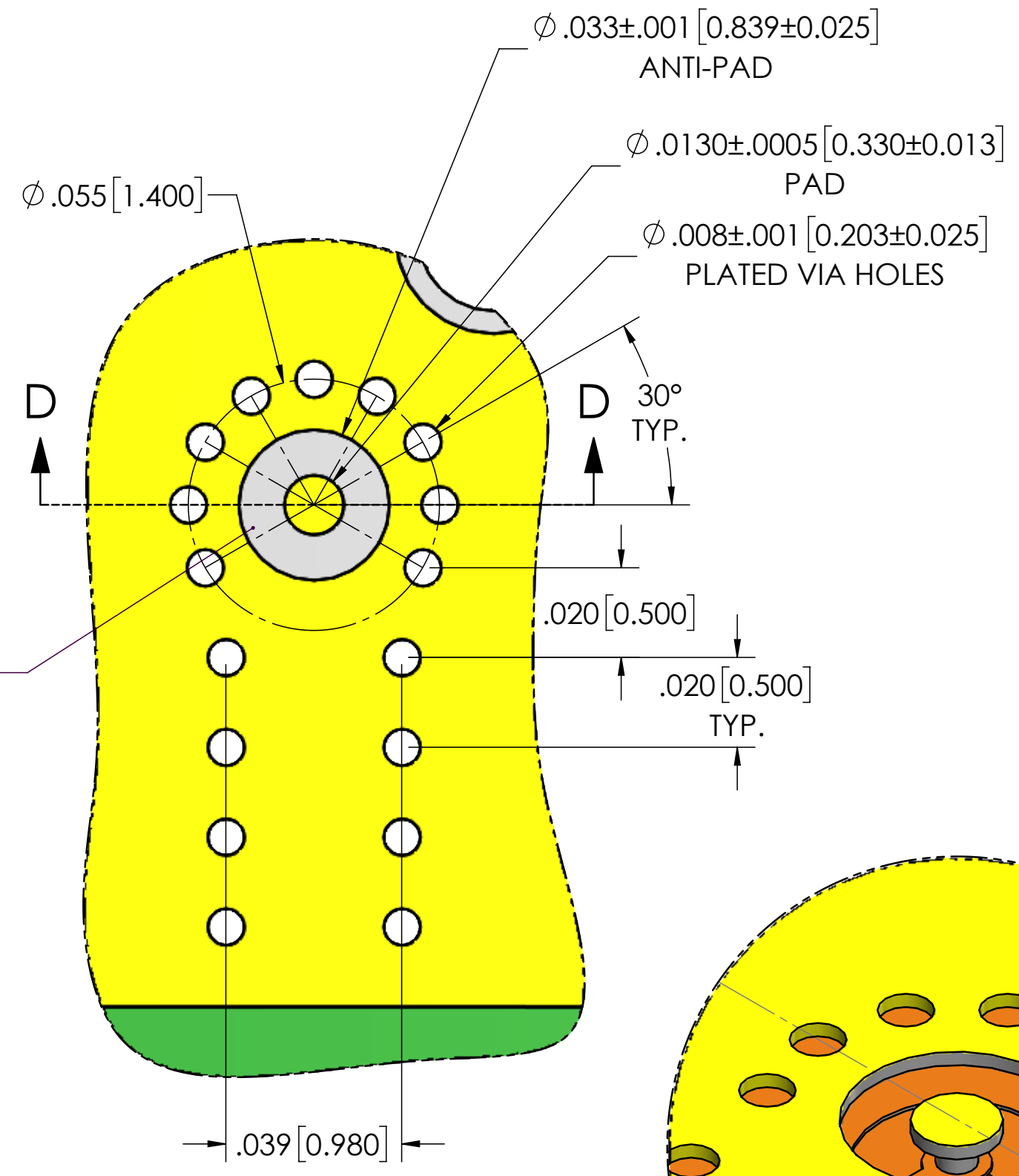
REVISIONS			
REV.	DESCRIPTION	DATE	BY
P2	ADD VIA HOLES & TOLERANCE	12.07.18	HT
P3	BOARD LAYOUT CHANGE TO REV.D	04.23.19	HT
P4	ADD NOTE "AREA TO BE FREE OF SOLDER MASK"	07.20.20	HT
P5	OPTIMIZE PAD SIZE Ø.013 in	12.30.20	HT



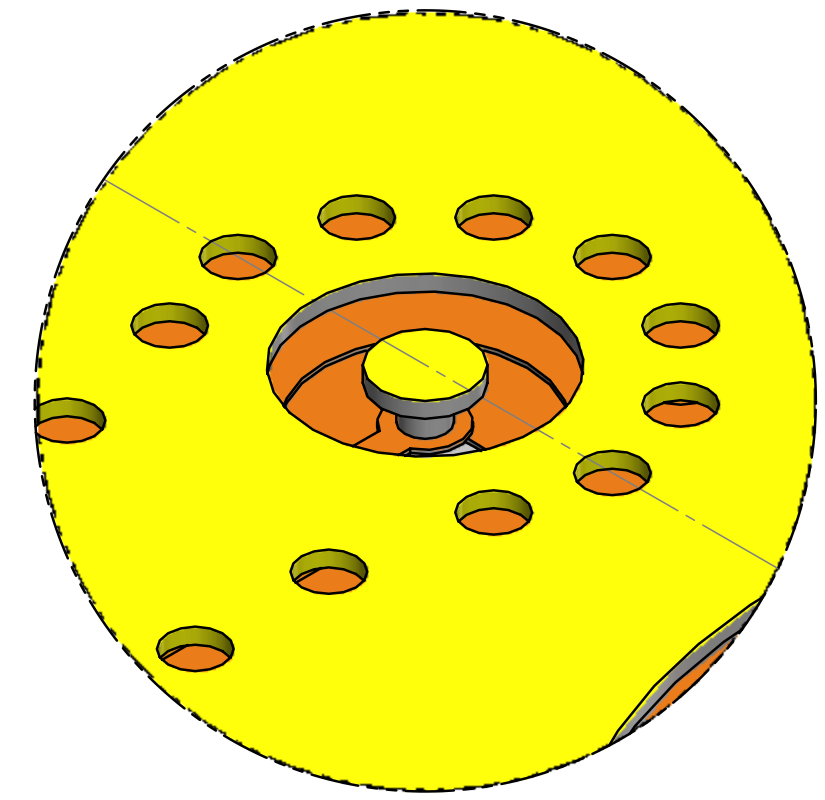
DETAIL C  
SCALE 32 : 1  
LAYER 3(Cu)



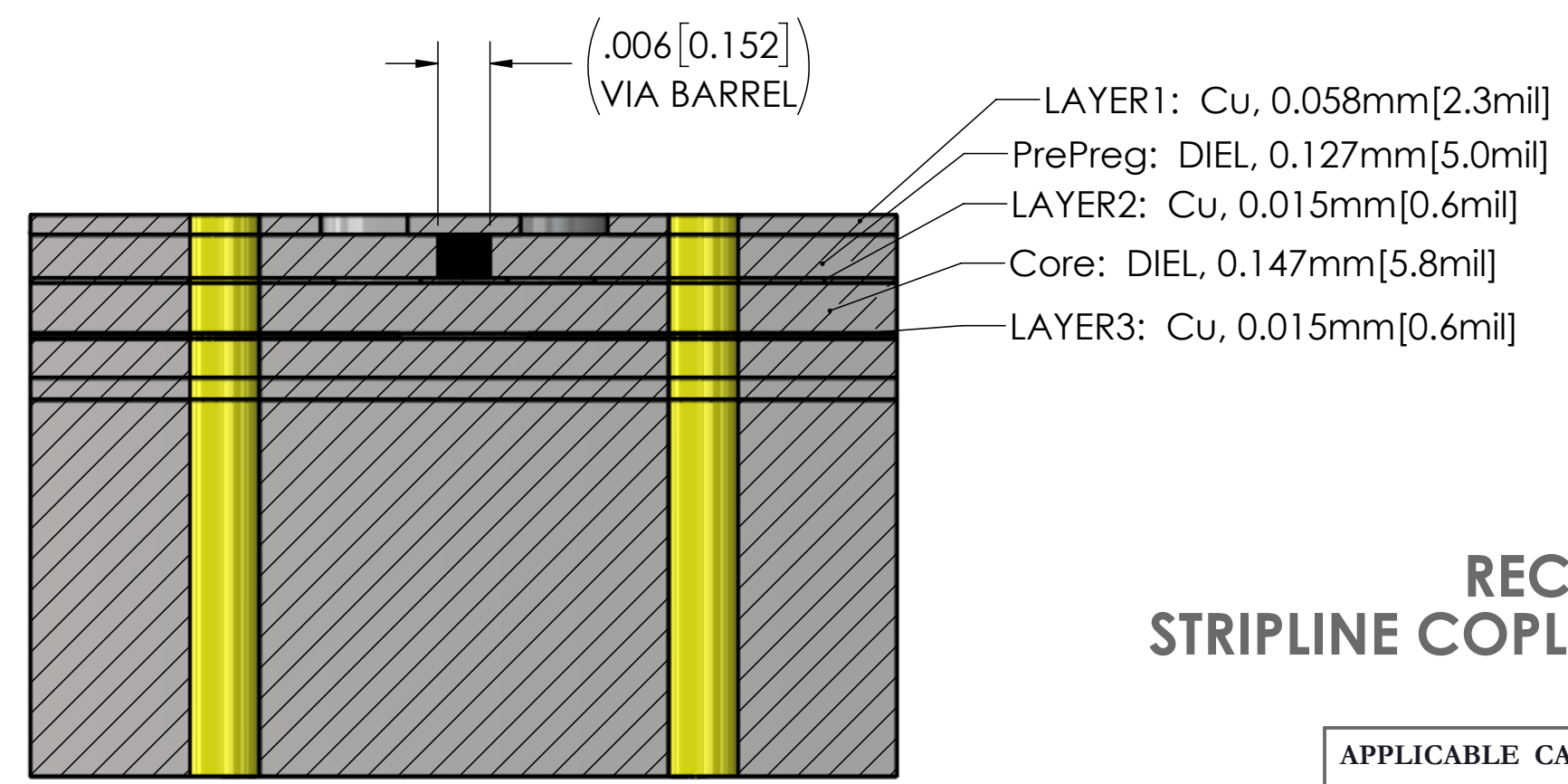
DETAIL B  
SCALE 32 : 1  
LAYER 2(Cu)



DETAIL A  
SCALE 32 : 1  
LAYER 1(Cu)



DETAIL E  
SCALE 50 : 1



SECTION D-D  
SCALE 50 : 1

**RECOMMENDED FOOTPRINT  
STRIPLINE COPLANAR WAVEGUIDE (SINGLE ENDED)**

APPLICABLE CARLISLE IT DOCUMENTS		
WORK STANDARD	PROD INSTRUC	ASSY INSTRUC
NA	NA	NA
-	-	-

**NOTICE**  
THIS DRAWING EMBODIES A CONFIDENTIAL PROPRIETARY DESIGN ORIGINATED BY CARLISLE INTERCONNECT TECHNOLOGIES & ALL DESIGN, MANUFACTURING, REPRODUCTION, USE & SALE RIGHTS REGARDING THE SAME ARE EXPRESSLY RESERVED. IT IS SUBMITTED UNDER A CONFIDENTIAL RELATIONSHIP FOR A SPECIFIED PURPOSE & THE RECIPIENT AGREES BY ACCEPTING THIS DRAWING NOT TO SUPPLY OR DISCLOSE ANY INFORMATION REGARDING IT TO ANY UNAUTHORIZED PERSON TO INCORPORATE IN OTHER PROJECTS ANY SPECIAL FEATURES PECULIAR TO THIS DESIGN. ALL PATENT RIGHTS HERETO ARE EXPRESSLY RESERVED BY CARLISLE INTERCONNECT TECHNOLOGIES, CERRITOS, CALIFORNIA 90703.

TOLERANCES AND NOTES	
EXCEPT AS NOTED	
DIMENSIONS ARE IN INCHES.	
XX ± .015	
LINEAR .XXX ± .005	ANGULAR ± 1/2°
FRACTION ± 1/32	
1. MACHINE FINISH: 63/RMS	
2. BREAK ALL SHARP EDGES .003 MAX.	
3. MACHINED FILLETS .005 MAX.	
4. MACHINED SURFACES SQUARE TO RESPECTIVE AXIS WITHIN .005 INCHES PER INCH.	
5. MACHINED DIAMETERS CONCENTRIC WITHIN .002 T.I.R.	
6. DIMENSIONS TO BE MET BEFORE PLATING.	
7. CHAMFER ALL THREADS 45°.	
8. THREADS PER H-28	
9. REMOVE FRAYED EDGES ON TEFLON.	
10. REMOVE ALL BURRS.	

MATERIAL	
APPROVAL INITIALS	DATE
DRAWN BY HT	11.29.18
CHECKED BY -	-
TEST ENGR -	-
QUALITY -	-
DESIGN ENGR HT	11.29.18
MFG. ENGR -	-
ECO APPRV -	-

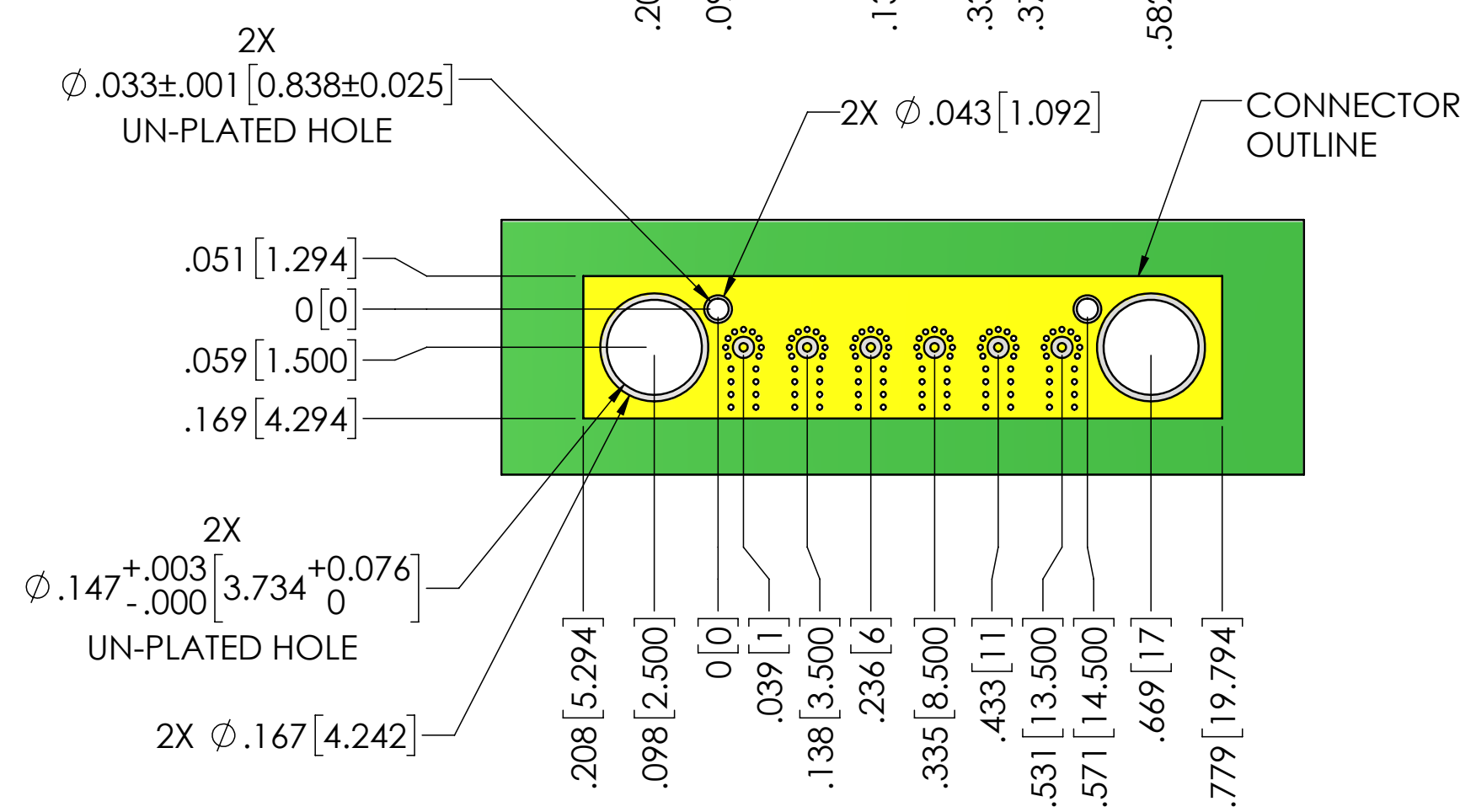
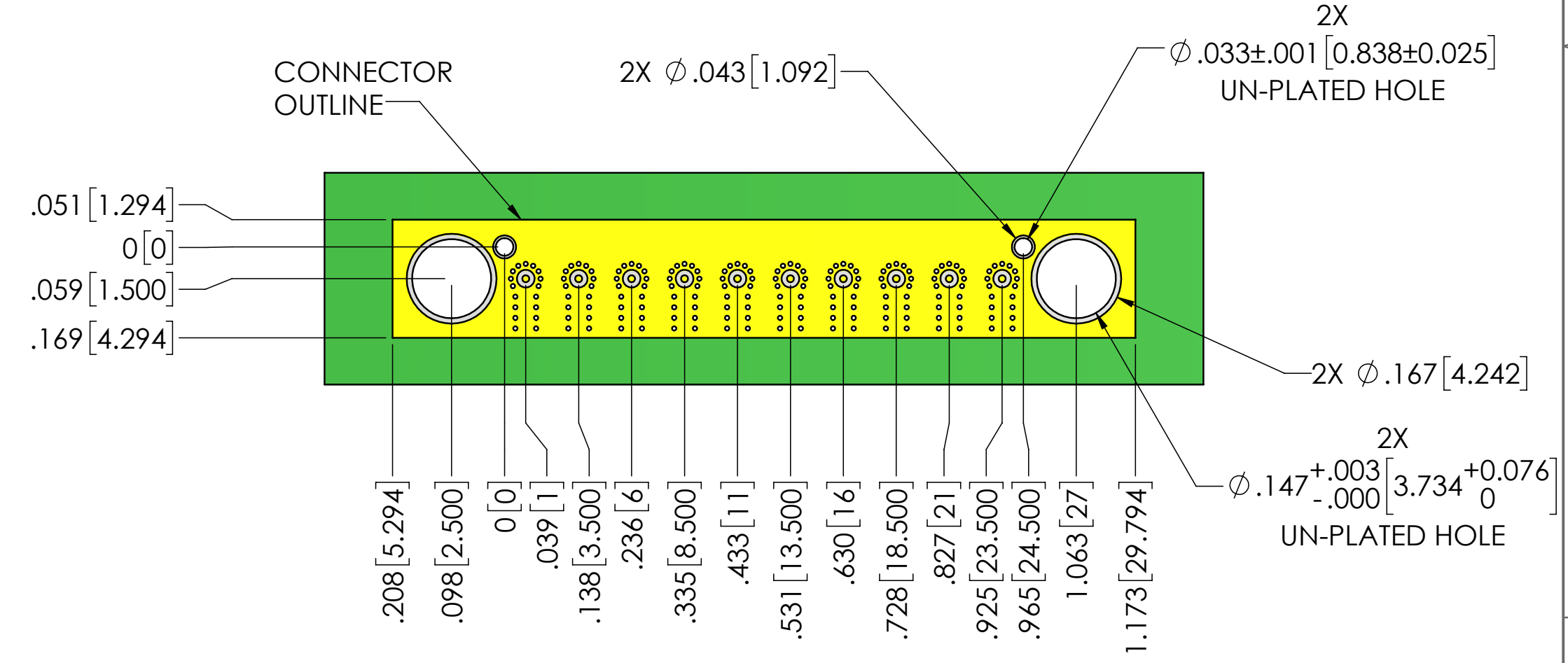
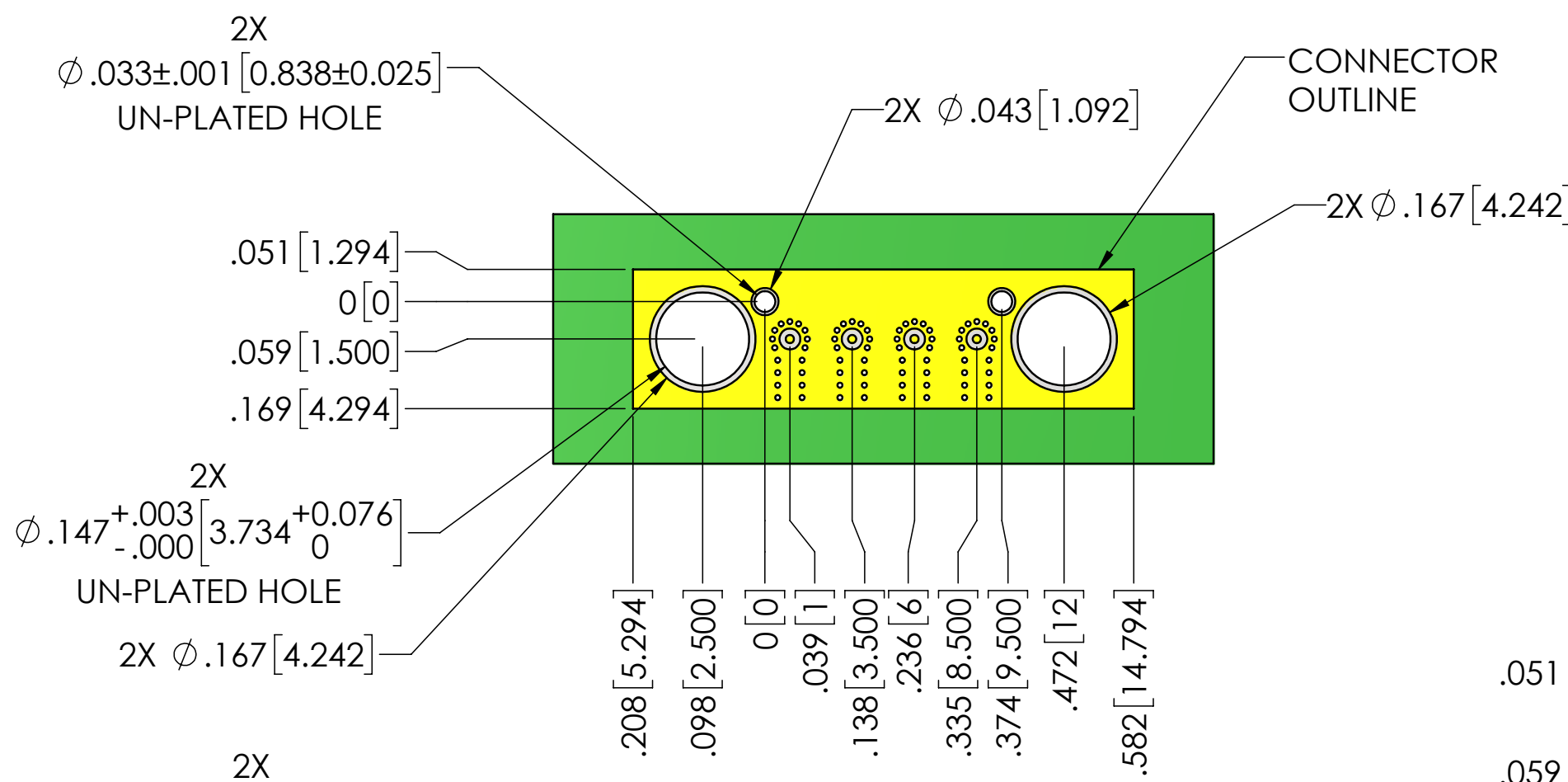
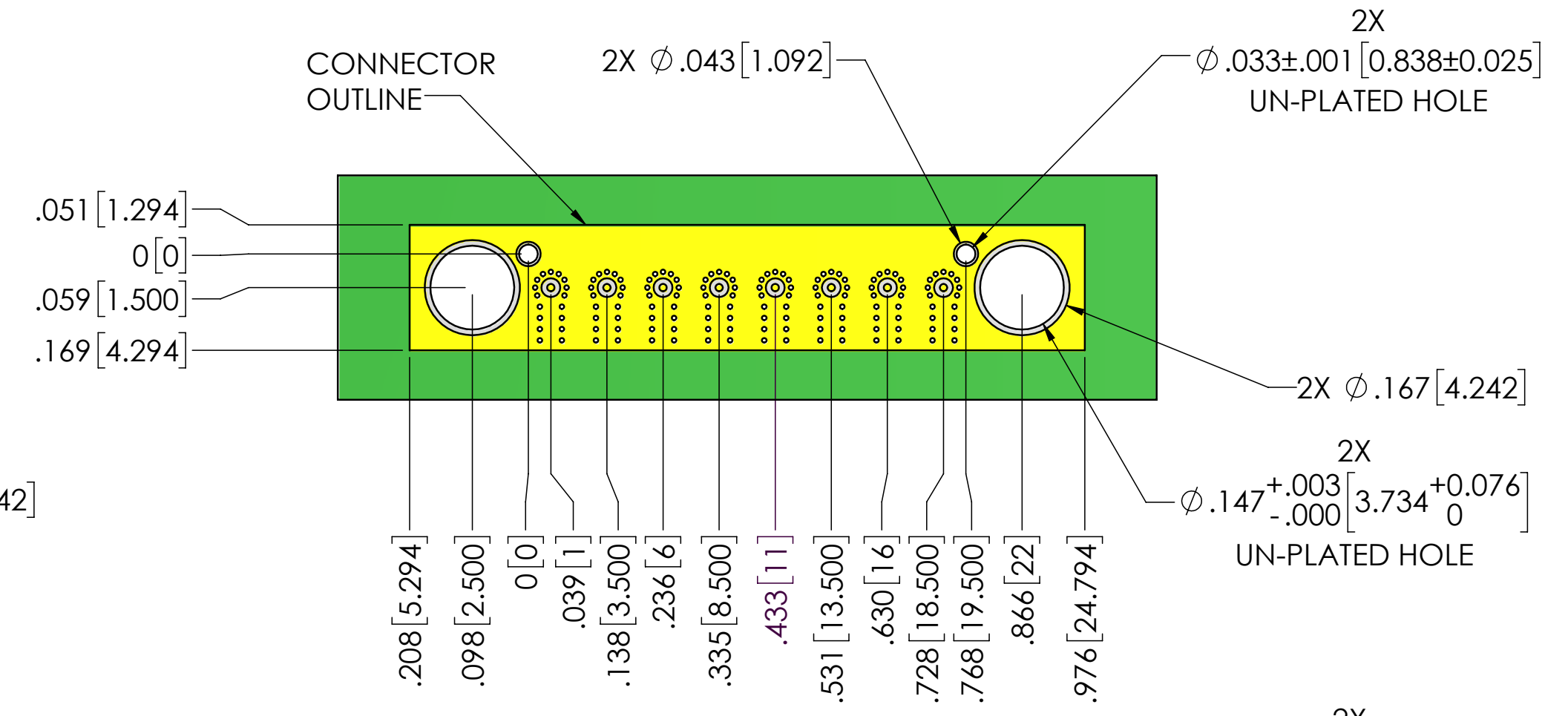
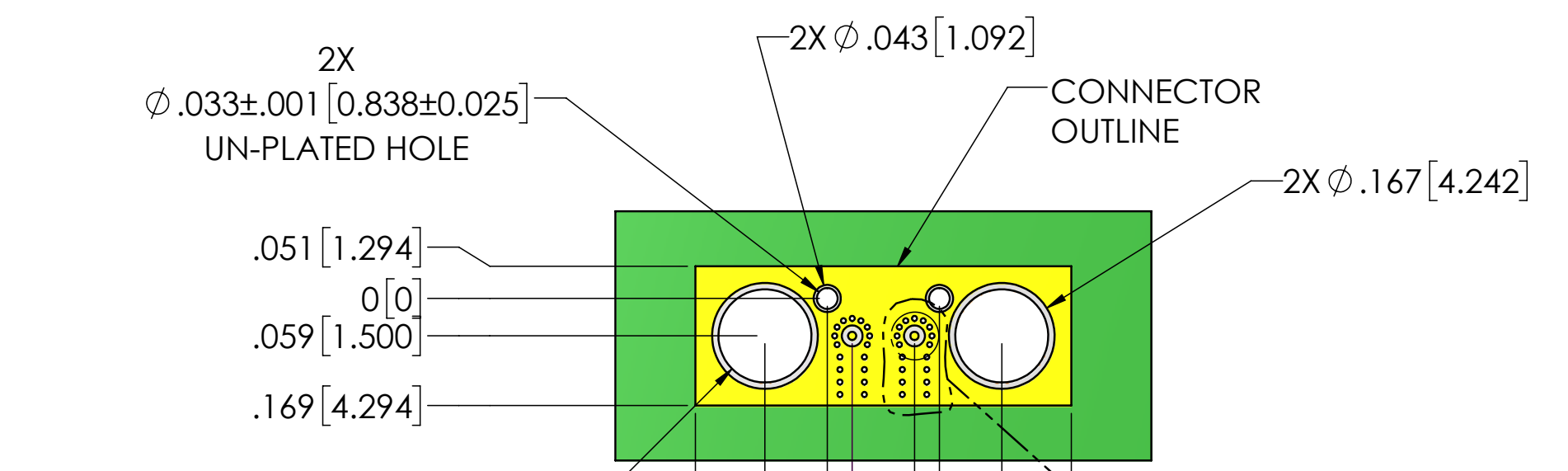
SPECIFICATION		PROCUREMENT	
<b>CARLISLE</b> Interconnect Technologies Cerritos, CA 90703			
TITLE HC2(2.5mm)-VERTICAL MOUNT STRIPLINE COPLANAR WAVEGUIDE (SE)			
SCALE 4:1	SUB-DIRECTORY/ CXXXX\CHCXX\	SHEET 1 OF 2	REV. P5
SIZE C	CAGE CODE 30990	DRAWING NO. CHC2S-VERT-SL-PCB	

4

3

2

1



NOTE(S):  
 1. Holes, signal traces pattern to be +/- .001 unless otherwise specified.

**RECOMMENDED FOOTPRINT**  
**STRIPLINE COPLANAR WAVEGUIDE (SINGLE ENDED)**  
 SEE SHEET 1 FOR TRACE DETAIL

SCALE	SUB-DIRECTORY/		SHEET 2 OF 2
4:1	CXXXX\CHCXX\		
SIZE	CAGE CODE	DRAWING NO.	REV.
C	30990	CHC2S-VERT-SL-PCB	P5