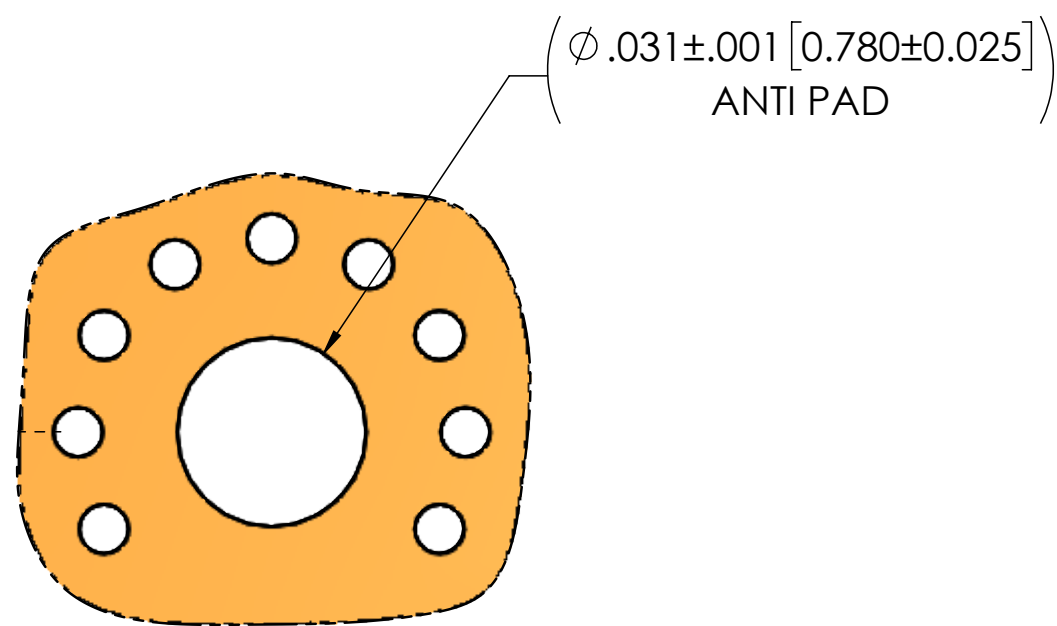
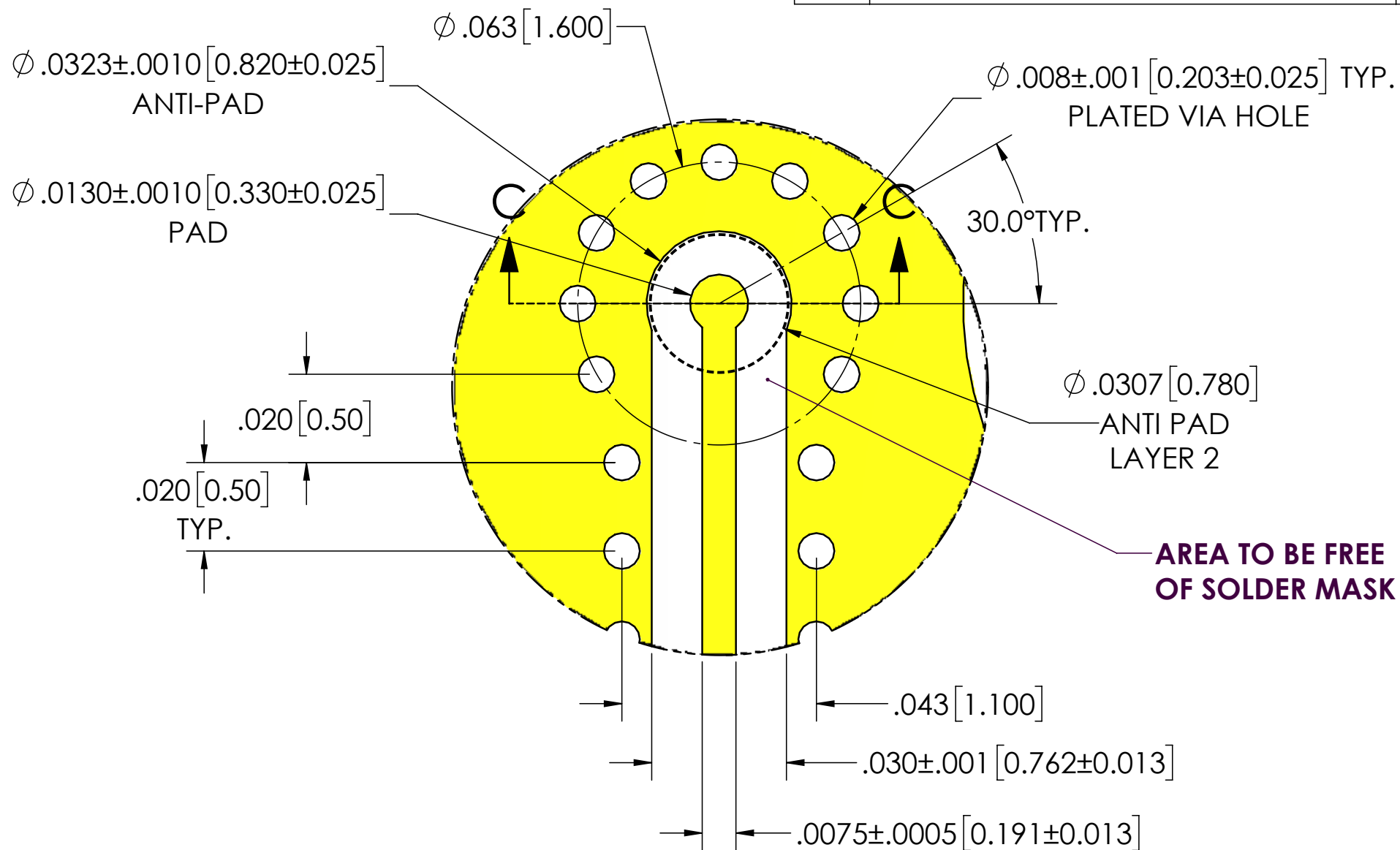


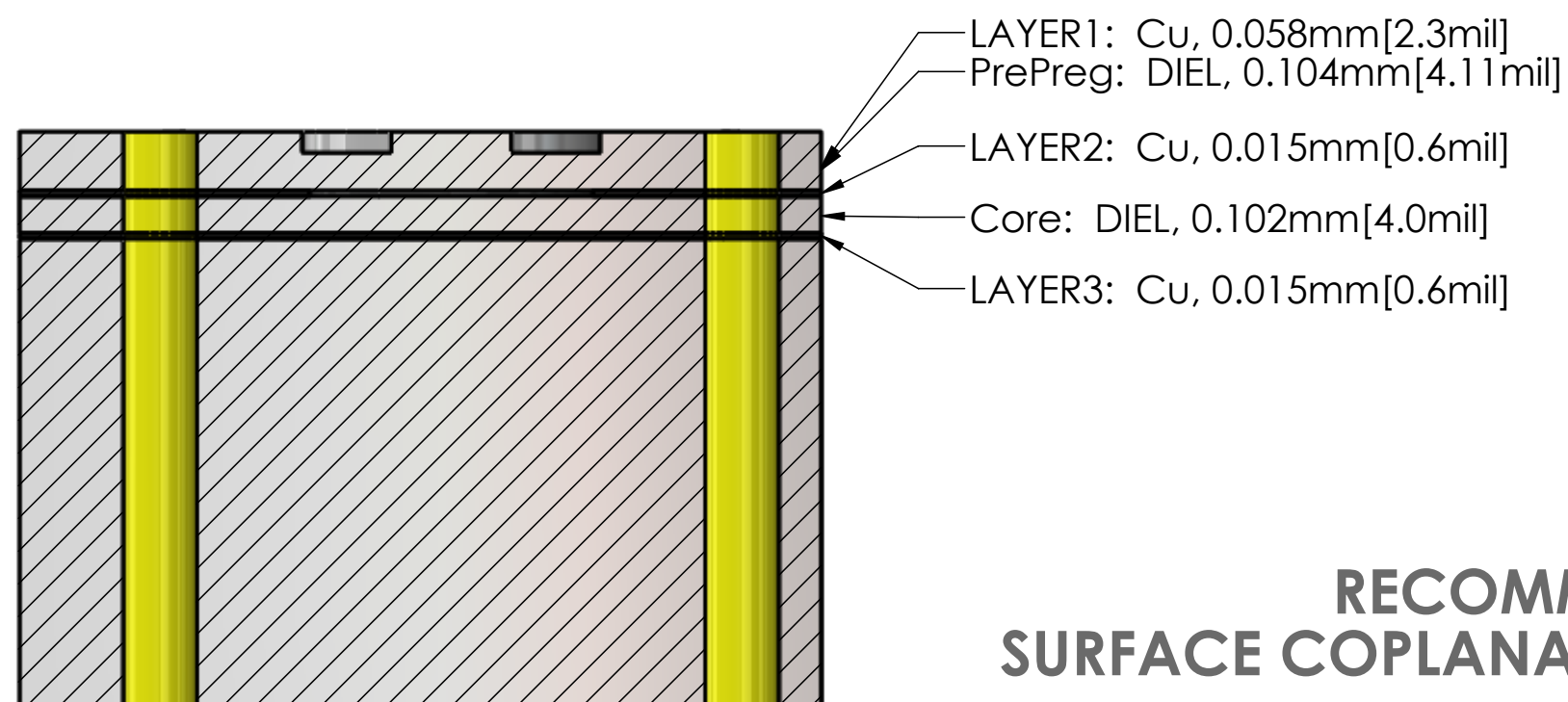
REVISIONS			
REV.	DESCRIPTION	DATE	BY
P5	PCB TRACE CHG & ADD VIEW B-B	03.15.19	HT
P6	ADD DETAIL B(SHOW 2ND LAYER)	04.24.19	HT
P7	ADD NOTE "AREA TO BE FREE OF SOLDER MASK"	07.20.20	HT
P8	OPTIMIZE PAD SIZE Ø.013 in	12.30.20	HT



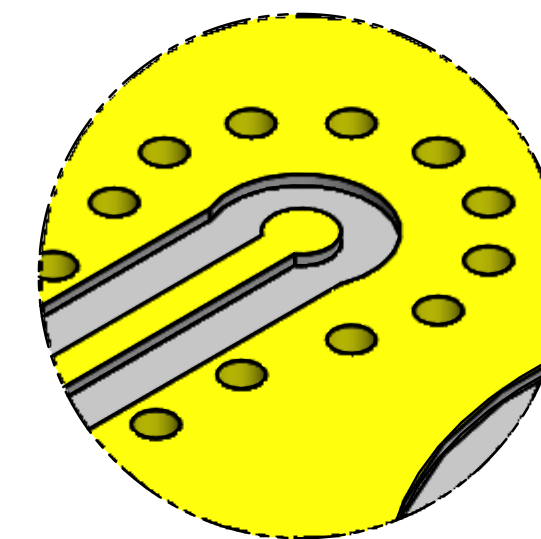
DETAIL B
SCALE 32 : 1
LAYER2



DETAIL A
SCALE 32:1
LAYER1



SECTION C-C
SCALE 50 : 1



DETAIL D
SCALE 32 : 1

**RECOMMENDED FOOTPRINT
SURFACE COPLANAR WAVEGUIDE (SINGLE ENDED)**

APPLICABLE CARLISLE IT DOCUMENTS

WORK STANDARD	PROD INSTRUC	ASSY INSTRUC
NA	NA	NA
-	-	-

NOTICE
THIS DRAWING EMBODIES A CONFIDENTIAL PROPRIETARY DESIGN ORIGINATED BY CARLISLE INTERCONNECT TECHNOLOGIES & ALL DESIGN, MANUFACTURING, REPRODUCTION, USE & SALE RIGHTS REGARDING THE SAME ARE EXPRESSLY RESERVED. IT IS SUBMITTED UNDER A CONFIDENTIAL RELATIONSHIP FOR A SPECIFIED PURPOSE & THE RECIPIENT AGREES BY ACCEPTING THIS DRAWING NOT SUPPLY OR DISCLOSE ANY INFORMATION REGARDING IT TO ANY UNAUTHORIZED PERSON TO INCORPORATE IN OTHER PROJECTS ANY SPECIAL FEATURES PECULIAR TO THIS DESIGN. ALL PATENT RIGHTS HERETO ARE EXPRESSLY RESERVED BY CARLISLE INTERCONNECT TECHNOLOGIES, CERRITOS, CALIFORNIA 90703.

TOLERANCES AND NOTES
EXCEPT AS NOTED

- DIMENSIONS ARE IN INCHES.
 XX ± .015
 LINEAR .XXX ± .005 ANGULAR ± 1/2°
 FRACTION ± 1/32
- MACHINE FINISH: 63/RMS
 - BREAK ALL SHARP EDGES .003 MAX.
 - MACHINED FILLETS .005 MAX.
 - MACHINED SURFACES SQUARE TO RESPECTIVE AXIS WITHIN .005 INCHES PER INCH.
 - MACHINED DIAMETERS CONCENTRIC WITHIN .002 I.T.R.
 - DIMENSIONS TO BE MET BEFORE PLATING.
 - CHAMFER ALL THREADS 45°.
 - THREADS PER H-28
 - REMOVE FRAYED EDGES ON TEFLON.
 - REMOVE ALL BURRS.

MATERIAL		SPECIFICATION		PROCUREMENT	
APPROVAL	INITIALS	DATE	TITLE		SCALE
DRAWN BY	HT	07.10.18	HC2(2.5mm)-VERTICAL MOUNT, SURFACE COPLANAR WAVEGUIDE(SE)		4:1
CHECKED BY	-	-	SUB-DIRECTORY/		SHEET 1 OF 2
TEST ENGR	-	-	DRAWING NO.		REV.
DESIGN ENGR	HT	07.10.18	C 30990		P8
MFG. ENGR	-	-	CHC2S-VERT-CPW-PCB		
ECO APPRV	HT	04.24.19			

MATERIAL		SPECIFICATION		PROCUREMENT	
APPROVAL	INITIALS	DATE	TITLE		SCALE
DRAWN BY	HT	07.10.18	HC2(2.5mm)-VERTICAL MOUNT, SURFACE COPLANAR WAVEGUIDE(SE)		4:1
CHECKED BY	-	-	SUB-DIRECTORY/		SHEET 1 OF 2
TEST ENGR	-	-	DRAWING NO.		REV.
DESIGN ENGR	HT	07.10.18	C 30990		P8
MFG. ENGR	-	-	CHC2S-VERT-CPW-PCB		
ECO APPRV	HT	04.24.19			

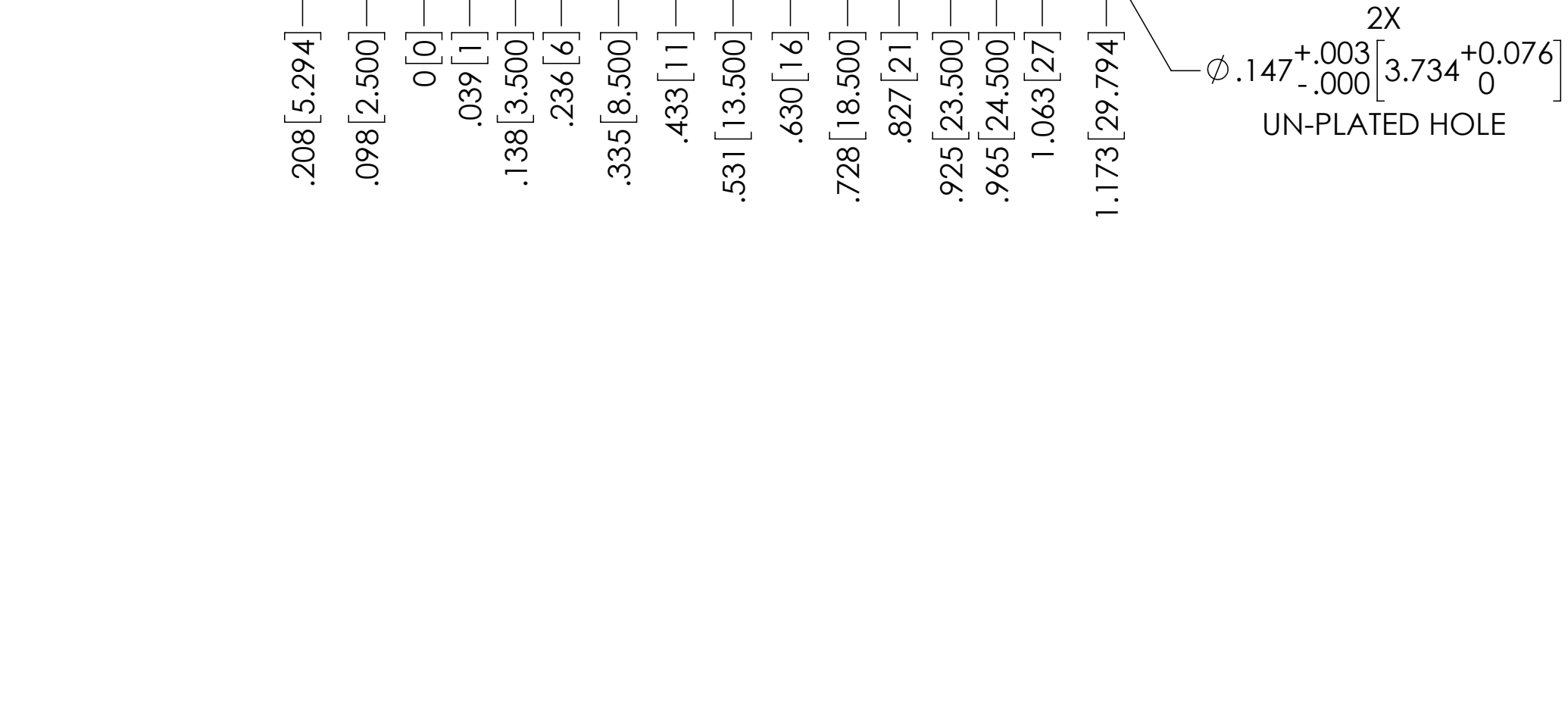
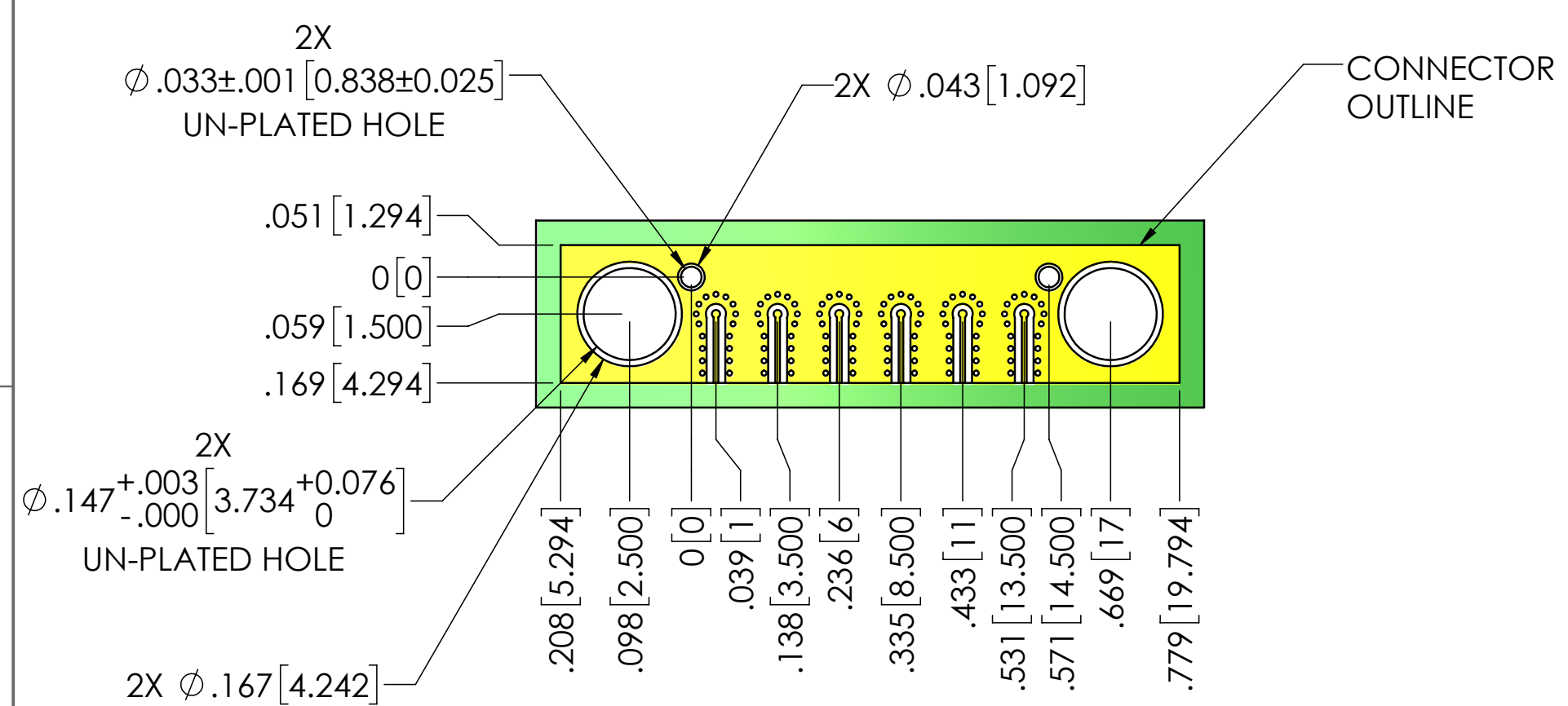
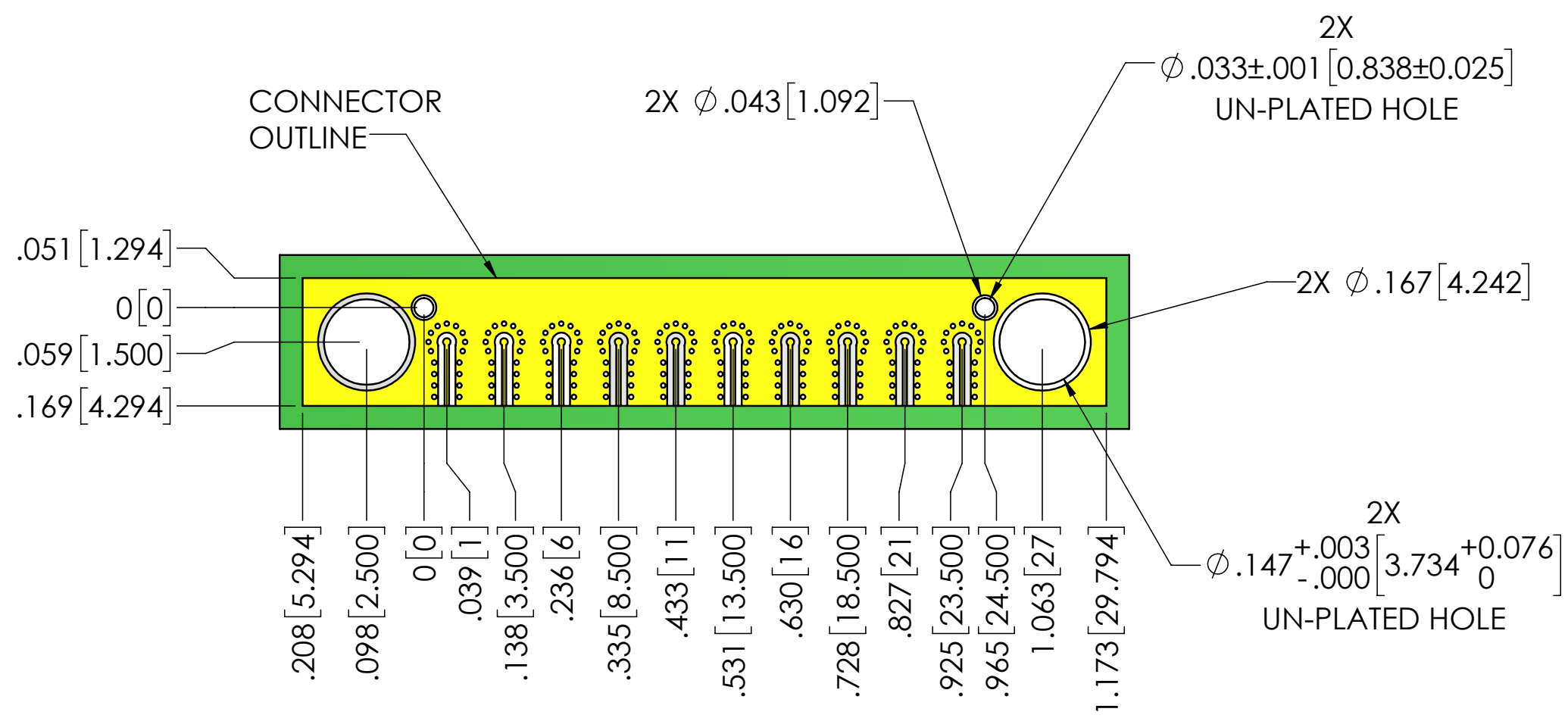
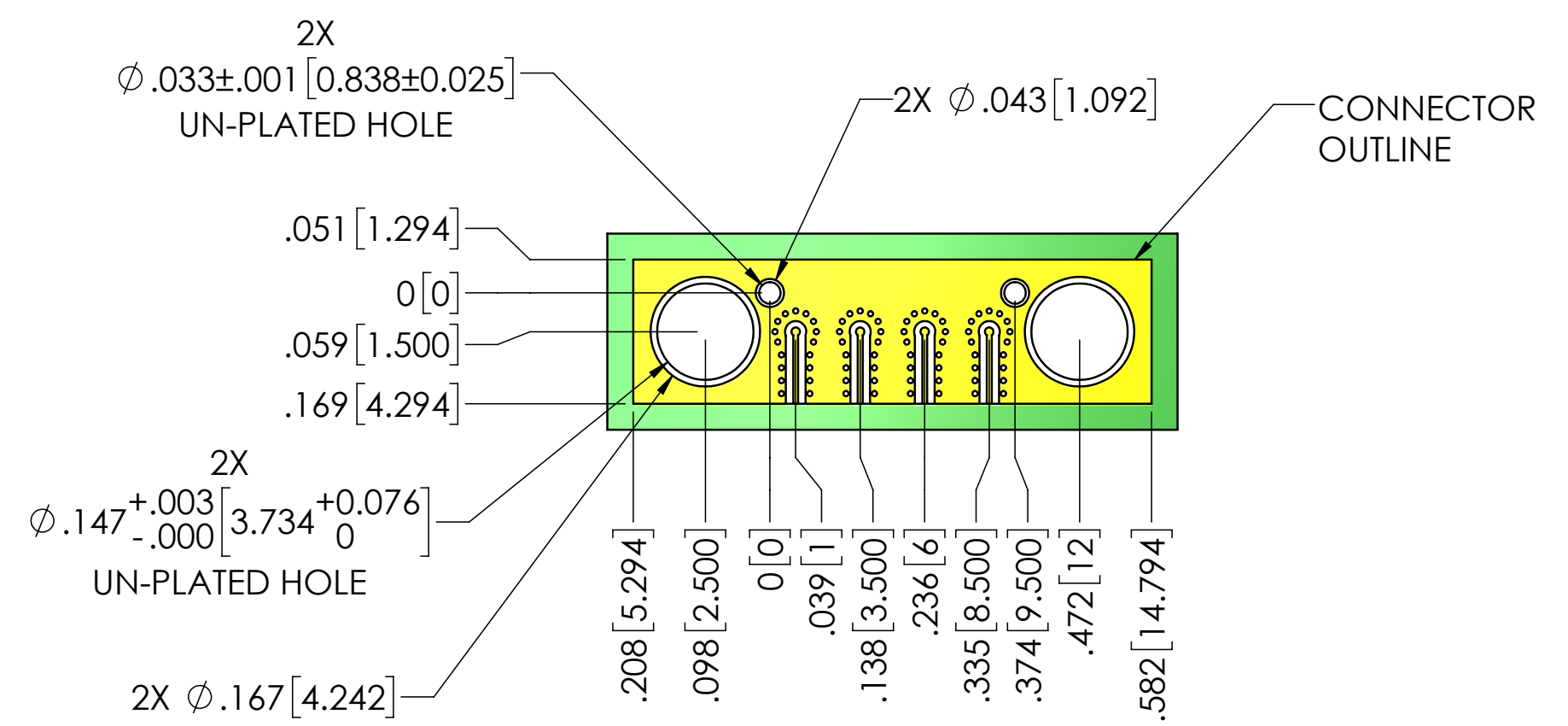
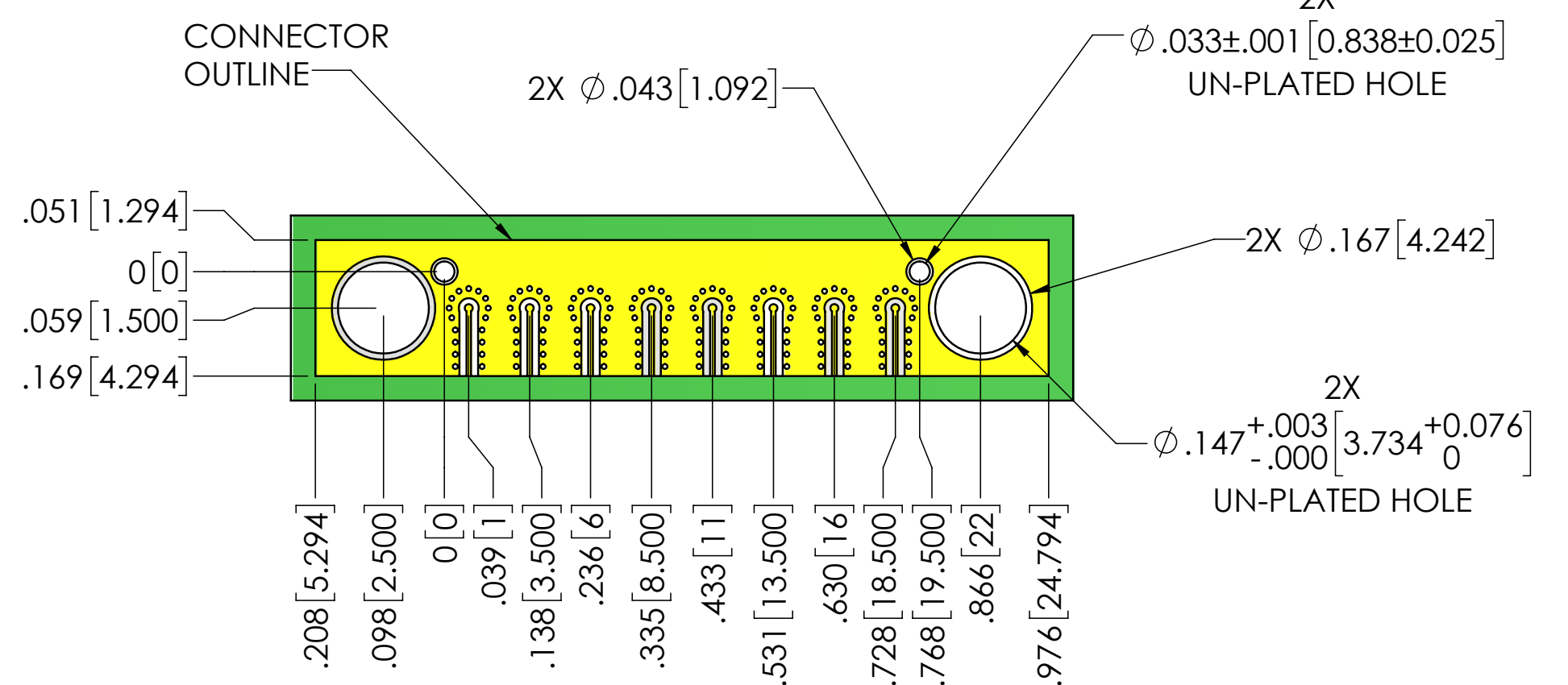
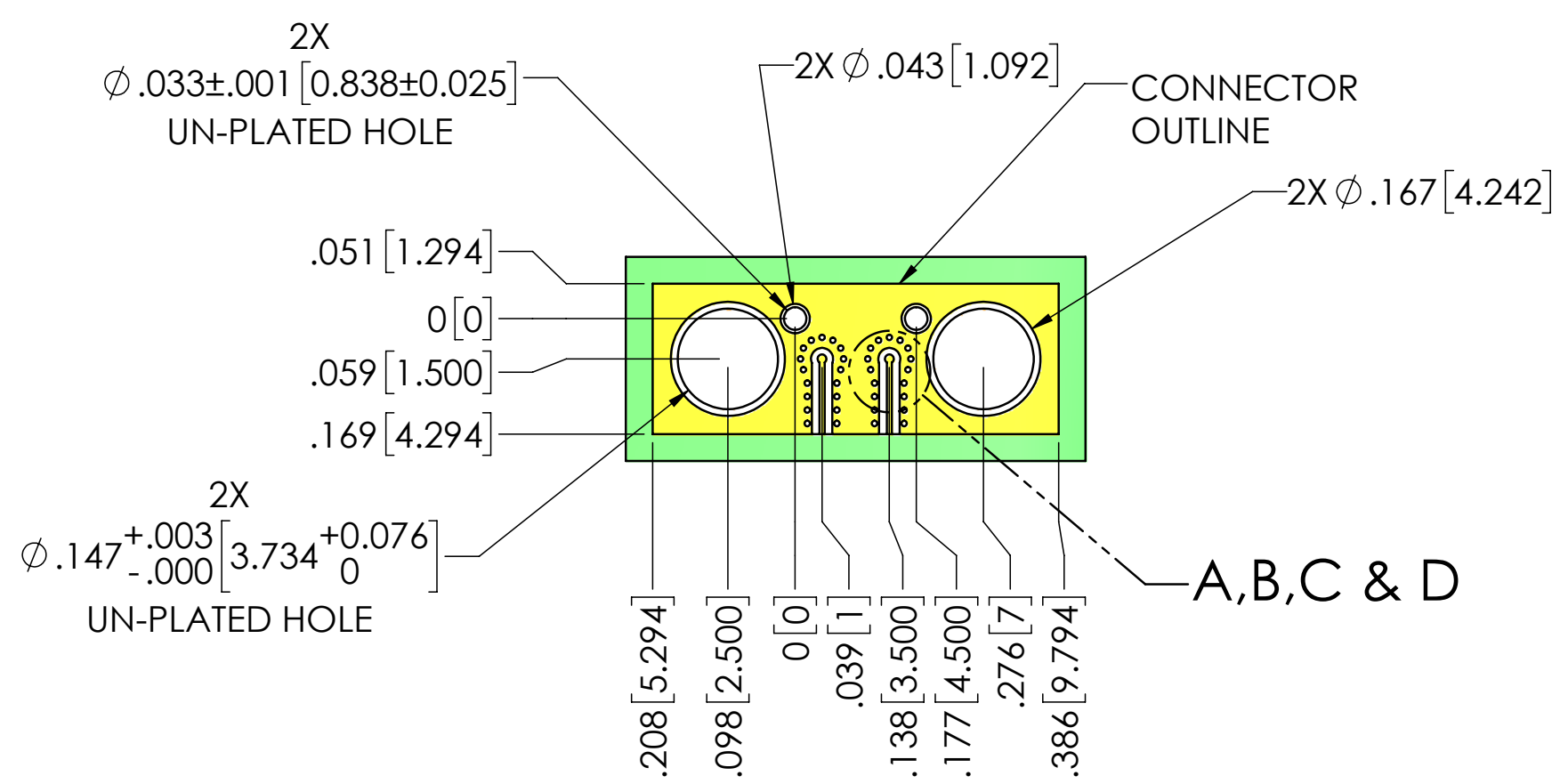
4 3 2 1

D D

C C

B B

A A



NOTE(S):
1. Holes, signal traces pattern to be +/- .001 unless otherwise specified.

RECOMMENDED FOOTPRINT
SURFACE COPLANAR WAVEGUIDE (SINGLE ENDED)
SEE SHEET 1 FOR SIGNAL TRACE

SCALE	SUB-DIRECTORY/		SHEET 2 OF 2
4:1			
SIZE	CAGE CODE	DRAWING NO.	REV.
C	30990	CHC2S-VERT-CPW-PCB	P8

4 3 2 1