

4

3

DWG NO.	M7122-1	SH	1	REV.	A
---------	---------	----	---	------	---

1

This print and associated documents and the contained information are the confidential property of ELECTRONIC CABLE SPECIALISTS. Disclosure of, and/or reproduction of, all or part thereof or manufacture of any part from information contained on this print not specifically permitted by ELECTRONIC CABLE SPECIALISTS in writing is forbidden.

### INSTALLATION INSTRUCTIONS

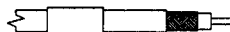
- BEGIN BY CUTTING THE CABLE OFF SQUARE.



- WHEN USING AUTOMATIC STRIPPING EQUIPMENT, STRIP CABLE AS SHOWN STARTING WITH L1 AND ENDING WITH L3. TAKE CARE NOT TO NICK THE CONDUCTORS WHILE STRIPPING THE DIELECTRIC AND JACKET. IF AUTOMATIC STRIPPING EQUIPMENT IS NOT AVAILABLE, STRIP ONLY L1 AND L3 AND TRIM EXCESS BRAID AT STEP 10.



- SLIDE THE FERRULE AND ADHESIVE HEAT SHRINK OVER THE END OF THE CABLE. <sup>2</sup>



- SOLDER THE CONTACT ONTO THE CENTER CONDUCTOR, PER MIL-STD-2000, USING 63Sn/37Pb SOLDER OR CRIMP WITH M22520/5-57 DIE (B HEX). ENSURE THE CONTACT IS BUTTED AGAINST THE CABLE DIELECTRIC. CLEAN ALL FLUX RESIDUES USING AN APPROPRIATE FLUX CLEANER.



- USING TWEEZERS, FOLD THE OUTER BRAID BACK OVER THE CABLE JACKET, LEAVING AS MUCH WEAVE AS POSSIBLE.



- SLICE THE ALUMINUM/POLYESTER FOIL LENGTHWISE ABOUT EVERY 1/8". GENTLY ROTATE PIN TO SEPARATE THE FLAT FOIL BRAID AND ALUMINUM/POLYESTER FOIL FROM THE DIELECTRIC. USING TWEEZERS, FOLD BACK ALUMINUM/POLYESTER FOIL OVER THE OUTER BRAID.



- USING TWEEZERS, FOLD THE INNER BRAID BACK OVER THE OUTER SHIELD, LEAVING AS MUCH WEAVE AS POSSIBLE.



REVISIONS					
ECN	ZONE	REV.	DESCRIPTION	DATE	APPROVED
6188		N/C	NEW RELEASE.	9/15/98	MCT
12963		A	SEE ECN	9/14/01	Don R. Hurd

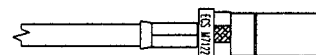
- SLIDE THE BODY OF THE CONNECTOR OVER THE END OF THE CABLE UNTIL THE NOTCH IN THE CONTACT SEATS WITH THE DIELECTRIC RIDGE INSIDE THE CONNECTOR BODY.



- FOLD BOTH BRAIDS UP OVER THE NECK OF THE CONNECTOR BODY.

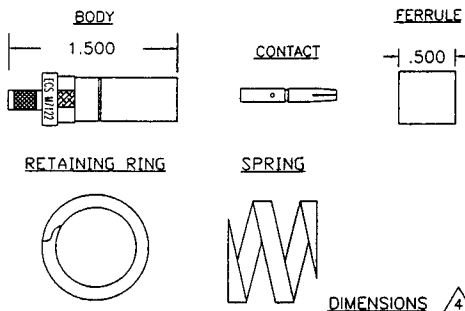


- SLIDE THE FERRULE UP OVER THE SHIELDS AND AGAINST THE CONNECTOR BODY. TRIM AWAY ANY EXCESS BRAID. CRIMP THE FERRULE ONCE, NEXT TO THE BODY, USING THE M22520/5-57 DIE (A HEX) IN A M22520/5-01 TOOL FRAME. APPLY ADHESIVE HEAT SHRINK. <sup>3</sup>



### NOTES

- ALL DIMENSIONS ARE IN INCHES.
- ENSURE HEAT SHRINK IS INSTALLED PRIOR TO CRIMPING CONNECTOR.
- ADHESIVE HEAT SHRINK SHOULD BE APPLIED IN ACCORDANCE WITH ECS WORK INSTRUCTION W1007. CONTACT ECS FOR A COPY OF THIS WORK INSTRUCTION.
- CONNECTOR DIMENSIONS ARE FOR REFERENCE ONLY.
- DELETED.
- DELETED.
- PICTORIALS SHOW CONNECTOR INSTALLATION ON ECS 311901 CABLE. WHEN INSTALLING THIS CONNECTOR ON 3C142B OR 3C058A THERE ARE ONLY ONLY 2 BRAID SHIELDS WHICH SHOULD BE FOLDED BACK AS SHOWN IN STEP 5 AND STEP 6 WOULD BE OMITTED.

DIMENSIONS <sup>4</sup>

### SPECIFICATIONS

#### ELECTRICAL

IMPEDANCE: 50 OHMS NOMINAL  
 FREQUENCY RANGE: 0-6 GHz  
 VSWR: 1.70:1 MAXIMUM  
 INSERTION LOSS: 0.3 dB @ 6 GHz  
 DIELECTRIC WITHSTANDING: 2500 VRMS @ SEA LEVEL  
 WORKING VOLTAGE: 1000 VRMS @ SEA LEVEL  
 INSULATION RESISTANCE: 5000 MEGOHMS MINIMUM @ 500 VOLTS DC

#### MECHANICAL

MECHANICAL INTERFACE PER ARINC SPEC 600  
 FIGURE 19-54.2  
 TERMINATION STYLE: INNER CONTACT-SOLDER OR CRIMP  
 OUTER CONTACT-FERRULE CRIMP  
 CABLE RETENTION: 30 LBS

#### ENVIRONMENTAL

TEMPERATURE RATING: -65° TO +200°  
 VIBRATION: MIL-STD-202, METHOD 204, COND. B  
 SHOCK: MIL-STD-202, METHOD 213, COND. I  
 THERMAL SHOCK: MIL-STD-202, METHOD 107, COND. B  
 CORROSION: MIL-STD-202, METHOD 101, COND. B  
 MOISTURE RESISTANCE: MIL-STD-202, METHOD 106

#### MATERIALS

BODY: BRASS PER QQ-B-626  
 FERRULE: ANNEALED BRASS PER QQ-B-626  
 CENTER CONTACT: BERYLLIUM COPPER PER QQ-C-530  
 DIELECTRIC: TEFLON PER L-P-403

#### FINISHES

FERRULE: BRIGHT NICKEL PER QQ-N-290  
 CENTER CONTACT, BODY: GOLD PER MIL-G-45204

ALL LENGTHS IN INCHES		ECS ELECTRONIC CABLE SPECIALISTS FRANKLIN, WI 53132 PHONE: (414) 421-5300	
APPROVALS	DATE	TITLE: CUSTOMER SPECIFICATION	
DRAWN BY: C. CHAPMAN	09/04/98	MODIFIED SIZE 1, ARINC 600 RF CONNECTOR FOR ECS CABLE 3C142B, 311901, AND 3C058A	
CHECKED BY: C. CHAPMAN	9/15/98	SIZE: B	CAGE CODE: 66197
DESIGNED BY:		LEVEL:	PART NO. M7122
PROJECT ENG: M. TAUBENHEIN	9/15/98	SCALE:	FILE NO: F:\ECSPEC\CONN\INST\M7122-1
ENG. MGR: P. JOBE	6/4/99		SHEET: 1 OF 3

4

3

2

1