

Safe-D-LOCK[®] Self-Locking SMA Connectors



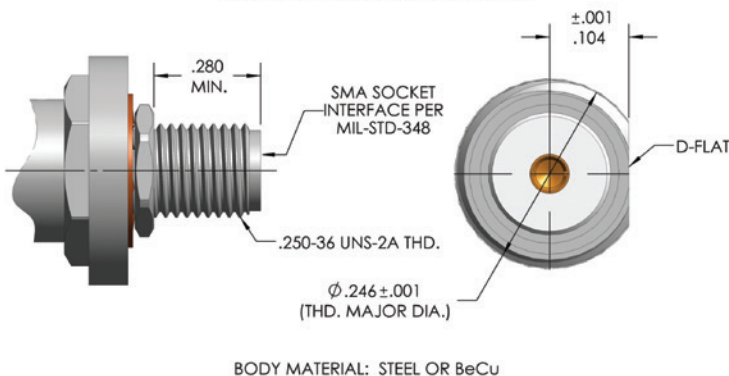
INTRODUCTION

Safe-D-LOCK[®] connectors offer a reliable alternative to conventional self-locking connectors, adhesive compounds, and safety wire. The unique design installs quickly without wasting valuable mass or space in the host system. Safe-D-LOCK locks to the D-FLAT on the mating connector. This provides a true lock that cannot be compromised when the cable is rotated. Safe-D-LOCK technology is contained entirely in the coupling nut of the connector. This allows the feature to be easily ported into different implementations, including low-profile, right-angle connectors.

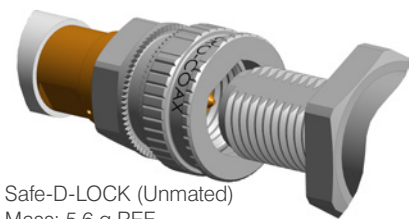
Key Features

- » Eliminates post-mate staking adhesives & FOD-prone safety wires
- » Flight heritage cryogenic operation to 20 Kelvin
- » Mated interfaces overcome cable integration torque, guaranteeing glitch-free signal integrity
- » 50% weight savings over conventional self-locking connectors
- » Modular design ports easily and economically to all SMA, 2.92 mm, and 3.5 mm connector families

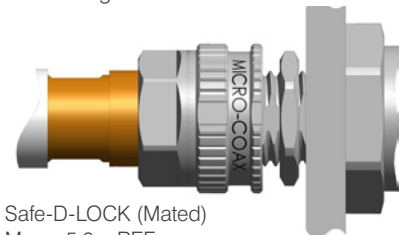
MATING CONNECTOR (D-FLAT) REQUIREMENTS



To ensure proper mating and locking of Safe-D-LOCK, please make sure your mating connector meets these requirements



Safe-D-LOCK (Unmated)
Mass: 5.6 g REF



Safe-D-LOCK (Mated)
Mass: 5.6 g REF

Note:
Conventional self-locking connector mass: 10.3 g REF