

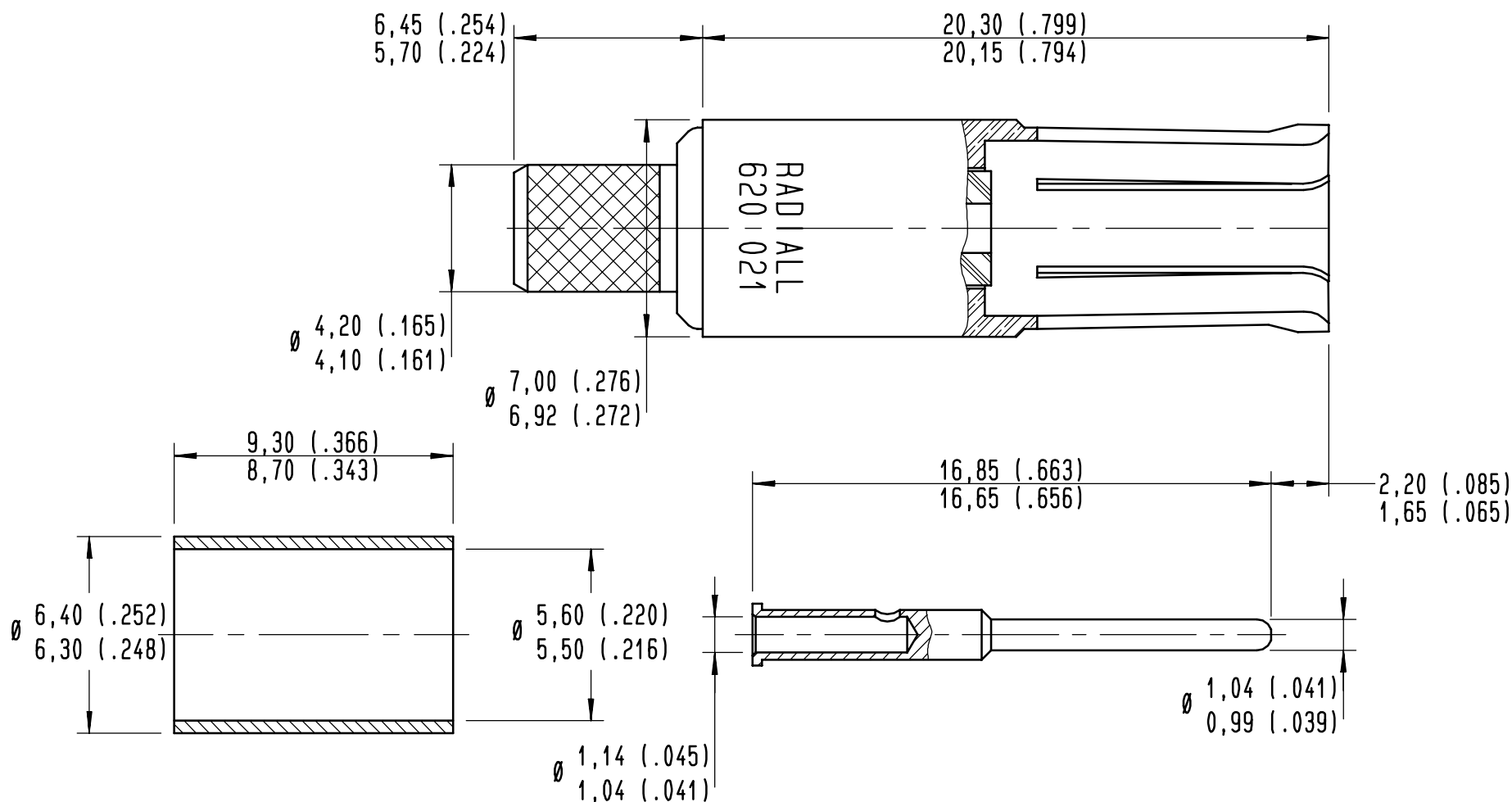


Series  
NSX

SIZE 5 COAXIAL SOCKET CONTACT  
FOR RG142 AND RG400 CABLES

Issue:  
08 NOV 99

Page  
1 / 1

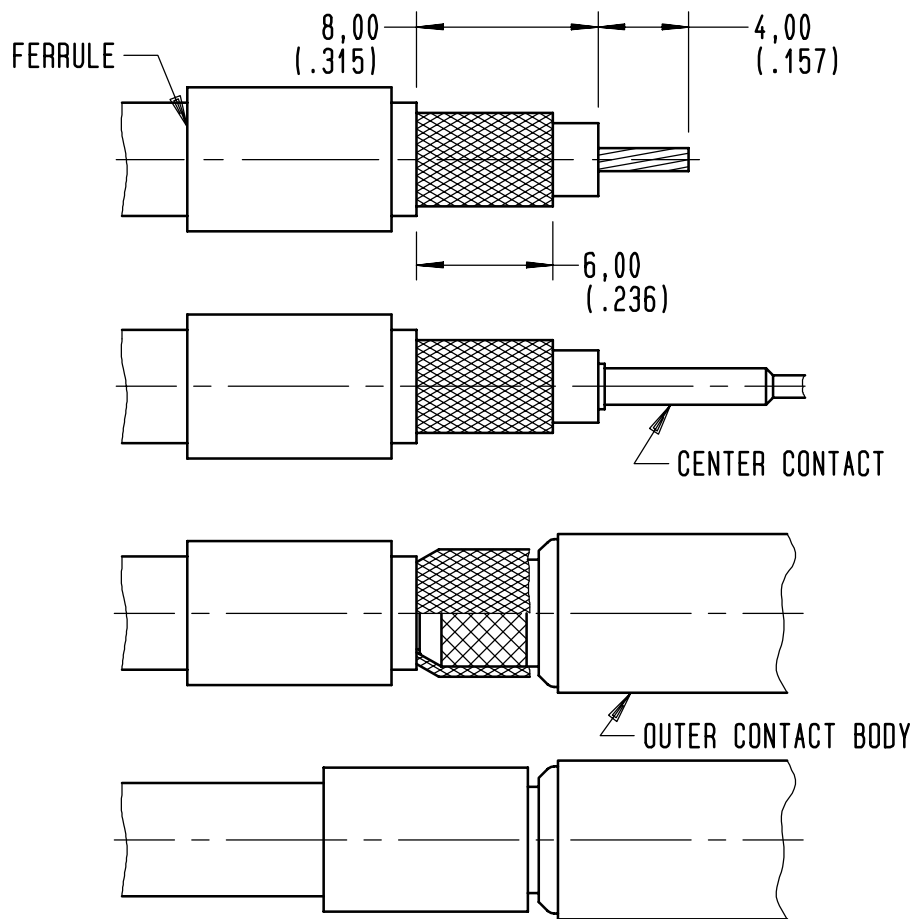


**MATERIAL:**

OUTER CONTACT: BERYLLIUM COPPER  
INSULATOR: PTFE  
CENTER CONTACT: BRASS  
FERRULE: BRASS  
FINISH (ALL METAL PARTS)  
GOLD PLATE PER MIL-G-45204: 50 MICROINCHES OVER NICKEL

**DESIGN REQUIREMENTS**

TEMPERATURE RANGE: -65°C TO +165°C  
IMPEDANCE: 50 OHMS NOMINAL  
RATED VOLTAGE: 325 V RMS AT SEA LEVEL  
VSWR: 1.10:1 FREQUENCY RANGE: 0 - 300 MHz  
VSWR: 1.30:1 FREQUENCY RANGE: 300 - 500 MHz  
FREQUENCY RANGE: 0 - 500 MHz  
DIELECTRIC WITHSTANDING VOLTAGE: 750 VRMS AT SEA LEVEL



STRIP CABLE TO DIMENSIONS SHOWN ABOVE  
SLIDE FERRULE OVER THE CABLE

SLIDE CENTER CONTACT BARREL OVER CABLE CONDUCTOR  
CONTACT SHOULDER BUTTING AGAINST CABLE DIELECTRIC  
CRIMP CENTER CONTACT  
CRIMPING TOOL M22520/2-01 RADIALL 282281  
SELECTOR ON: 8 FOR RG142  
6 FOR RG400  
POSITIONER: K345 RADIALL 282550

FLARE BRAID, INSERT CENTER CONTACT INTO THE OUTER  
CONTACT BODY  
PLACE BRAID OVER KNURLED PART OF OUTER CONTACT BODY

SLIDE FERRULE OVER BRAID UNTIL IT BUTTS AGAINST SHOULDER  
OF OUTER CONTACT BODY  
CRIMP FERRULE  
CRIMPING TOOL: M22520/5-01 RADIALL 282293  
DIE: M22520/5-05 RADIALL 282246 HEX.A 5,4 (.212) /FLATS  
EXTRACTION TOOL: M81969/28-01 (RADIALL 282946)

CREATION				
PEN: .				
NOM: JP MACARI				
DATE: 26 MAY 89				
APPR.: CARTESSE	08 NOV 99	REDRAWN	VALGRESY	.
	Issue	Revisions	Name	Approved

4112-9610

A620021