

8 7 6 5 4 3 2 1

NOTES:


- 1 REFER TO TABLE I FOR CABLE ASSEMBLY CONNECTOR AND CONTACT PART NUMBERS.
- 2. ASSEMBLY OF ALL WIRE CONNECTIONS SHALL BE IN ACCORDANCE WITH EIA-568B.
- 3 TOLERANCE FOR HARNESS LENGTH, "L", IS AS FOLLOWS. SEE TABLE II FOR LENGTH DASH EXAMPLES.
 0" - 20": +0.5"/-0"
 22" - 72": +1"/-0"
 74" AND GREATER: +2"/0"
- 4 HARNESS IDENTIFICATION LABEL APPLIED AS FOLLOWS:

OCTAX TO QUADRAX HARN. ASSY.
 P/N: OCTAX-ADP-XXX-X
 REV: *
 DOM: DD-MM-YYYY

-XXX: LENGTH IN INCHES
 -X: CONFIGURATION

REVISION HISTORY								
ECO	SHT	ZONE	REV.	DESCRIPTION	DRAWN BY	APPROVAL	DATE	
N/A	-	-	A	INITIAL RELEASE	L. ALCALDE	D. DAWSON	4/3/2018	
-	-	-	B	ADDITION OF LENGTH TABLE I	T.WILSON	D.DAWSON	11/15/2019	

A/R	FT								
A/R	FT	-	NF24Q100-01	24 AWG 100-Ohm Ethernet Cable				1	9
A/R	FT	-	NF26Q100-01	26 AWG 100-Ohm Ethernet Cable				1	8
A/R	EA	-	A-A-52080-B-4	Black Lacing Tie					7
A/R	LB	-	1185 A FHF	HALOGEN FREE, FLAME RETARDANT THERMOPLASTIC POLYURETHANE					6
A/R	EA	6A2X5	M23053/4-202-0	HEAT SHRINK 3/16", FLEXIBLE, PLYOLEFIN TUBING					5
A/R	EA	-	LOCTITE 08431	THRD LCK GRADE C					4
1	EA	-	TTMS-X.X-4	Heat Shrinkable Sleeve					3
2	EA	7M794	1445693-3	QUADRAX CONTACT SOCKET ASSY				1	2
1	EA	7M794	OCTAX-SOLO-P	OCTAX SOLO P				1	1
QTY	UOM	CAGE NO.	PART NUMBER	NOMENCLATURE OR DESCRIPTION	REFERENCE OR NOTE	ITEM NO.			

DIMENSIONS ARE IN INCHES				DO NOT SCALE DRAWING		 7911 S. 188TH ST SUITE #100 KENT, WA 98032			
± TOLERANCES UNLESS OTHERWISE NOTED						OCTAX TO QUADRAX HARNESS ASSEMBLY			
.X	.XX	.XXX	ANGLE	FRACTION	APPROVALS			DATE	
					DRAWN BY L. ALCALDE 4/3/2018 ENGINEER L. ALCALDE 4/3/2018 PRODUCTION				
NEXT HIGHER ASSY.		USED ON		QUALITY		SIZE B	CAGE CODE 7M294	CARLISLE NUMBER OCTAX-ADP-XXX-X-CUD	REV. B
APPLICATION						SCALE NONE	SHEET 1 OF 2		

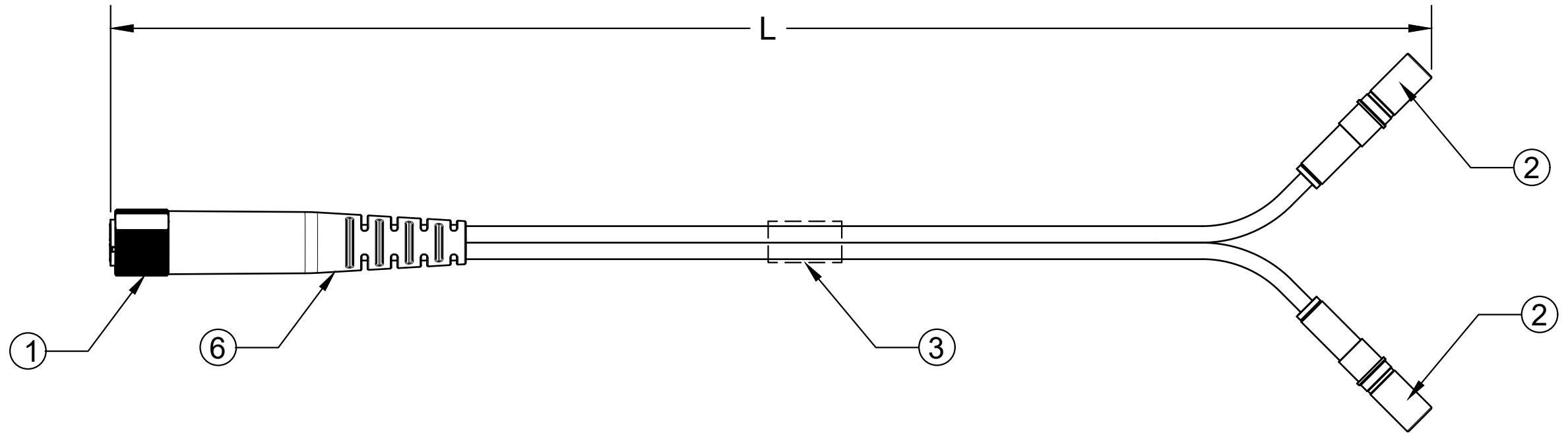
THE INFORMATION CONTAINED HEREIN IS PROPRIETARY TO CARLISLE, INC. AND SHALL IN NO WAY BE REPRODUCED OR DISCLOSED IN WHOLE OR IN PART OR USED FOR ANY DESIGN OR MANUFACTURE EXCEPT WHEN SUCH USER POSSESSES DIRECT, WRITTEN AUTHORIZATION FROM CARLISLE, INC.

8 7 6 5 4 3 2 1

SHEET NOTES:

ITEM NUMBER (XX) : REFER TO THE PARTS LIST ON SHEET 1

FLAG NOTE (XX) : REFER TO THE FLAG NOTES ON SHEET 1



3 TABLE II

LENGTH (IN.)	-XXX
6	-006
8	-008
10	-010
12	-012
14	-014
16	-016
18	-018
20	-020
22	-022
24	-024
26	-026
28	-028
30	-030
32	-032

TABLE II, CONT'D

LENGTH (IN.)	-XXX
34	-034
36	-036
38	-038
40	-040
42	-042
44	-044
46	-046
48	-048
50	-050
52	-052
54	-054

TABLE II, CONT'D

LENGTH (IN.)	-XXX
56	-056
58	-058
60	-060
62	-062
64	-064
66	-066
68	-068
70	-070
72	-072

TABLE I **1**

CONFIGURATION	CABLE TYPE	CONNECTOR	CONTACTS
1 -1	NF26Q100-01	OCTAX-SOLO-P	1445693-3
-2	NF24Q100-01	OCTAX-SOLO-P	1445693-3

CARLISLE 7911 S. 188TH ST
 INTERCONNECT TECHNOLOGIES SUITE #100 KENT, WA 98032

OCTAX TO QUADRAX HARNESS ASSEMBLY

SIZE	CAGE CODE	CARLISLE NUMBER	REV.
B	7M294	OCTAX-ADP-XXX-X-CUD	B
SCALE NONE		SHEET 2 OF 2	