

\*\*\*\* EXPORT CONTROLLED DOCUMENT - EAR \*\*\*\*  
 The information in this document is subject to the Export Controls in Accordance with the Export Administration Regulations. Diversion Contrary to U.S. Law is prohibited.

REVISIONS						DATE	APPROVED
ECN	SHEET	ZONE	REV.	BRIEF DESCRIPTION (SEE ECN FOR COMPLETE CHANGE DETAILS)			
74556			NC	NEW RELEASE		1/30/20	CR

This print and associated documents and the contained information are the confidential property of CARLISLE INTERCONNECT TECHNOLOGIES. Disclosure of, and/or reproduction of, all or part thereof or manufacture of any part from information contained on this print not specifically permitted by CARLISLE INTERCONNECT TECHNOLOGIES in writing is forbidden.

CAD GENERATED DOCUMENT  
 ANY CHANGES TO THIS DOCUMENT MUST BE SUBMITTED TO THE DESIGN/DRAFTING DEPARTMENT FOR PROPER UPDATE

NOTES: UNLESS OTHERWISE SPECIFIED

- LABEL CABLES AND INSTALL HEAT SHRINK ON CONNECTORS AND CABLES PER CARLISLE WORK INSTRUCTION W1007. INFORMATION IN PARENTHESES IS NOT PART OF LABEL.
- TERMINATE CONNECTOR(S) IN ACCORDANCE WITH MANUFACTURERS INSTRUCTIONS UNLESS OTHERWISE NOTED.
- COAXIAL CABLE ASSEMBLY LENGTH TOLERANCE, UNLESS OTHERWISE NOTED;

LENGTH	≤ 12	>12 ≤ 120	> 120
TOL	+0.5/-0.0	+3.5/-0.0	+5.5/-0.0

- INCLUDE APPROPRIATE TEST DOCUMENTATION WITH EACH SET.
- TEST TO BE PERFORMED PER M1305 AND THE FOLLOWING:  
 TEST -01 THRU -05 CABLES WITH MARKER SET AT 2483 MHz.  
 TEST -06 CABLES WITH MARKER SET AT 1600 MHz.  
 ATTENUATION: < 3.0 dB FOR -01 CABLE.  
 ATTENUATION: < 6.0 dB FOR -02 THRU -05 CABLES.  
 ATTENUATION: < 10.0 dB FOR -06 CABLE.  
 VSWR: 1.5:1 MAXIMUM FOR EACH CABLE.


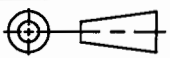
6 IF USING 432101, 352001, 311901, 421601, 311601 OR 311501 APPLY A 1/2 INCH PIECE OF COLORED HEAT SHRINK P/N M23053/5-107-X SHALL BE USED. DETERMINE COLOR FROM LABEL PAGE.

7 IF USING 421201 OR 311201 APPLY A 1/2 INCH PIECE OF COLORED HEAT SHRINK P/N M23053/5-108-X SHALL BE USED. DETERMINE COLOR FROM LABEL PAGE.

8 IF USING 310701 OR 310801 APPLY A 1/2 INCH PIECE OF COLORED HEAT SHRINK P/N M23053/5-109-X SHALL BE USED. DETERMINE COLOR FROM LABEL PAGE.

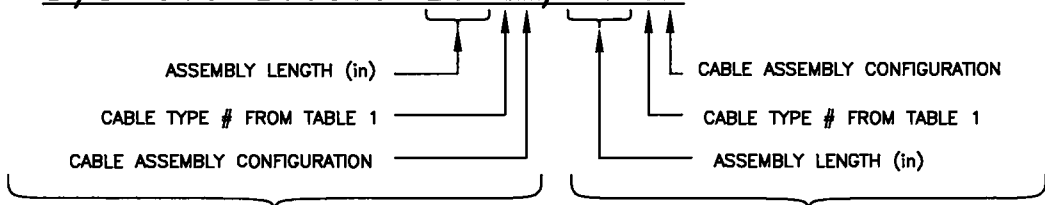
9 DO NOT TERMINATE CONNECTOR. TERMINATE CONTACT FOR TESTING. AFTER TESTING, REMOVE CONNECTOR AND COVER CONTACT WITH HEAT SHRINK. BAG CONNECTOR AND HEAT SHRINK AND SHIP WITH CABLE ASSEMBLY.

QTY REQ'D	COMPONENTS PART NO. OR IDENTIFYING NO.	NOMENCLATURE OR DESCRIPTION	ITEM NO.
1	500-106379-XXX-XX-06	ABR TO HPB GPS	6
1	500-106379-XXX-XX-05	ABR TO HPB RX3	5
1	500-106379-XXX-XX-04	ABR TO HPB RX2	4
1	500-106379-XXX-XX-03	ABR TO HPB RX1	3
1	500-106379-XXX-XX-02	ABR TO FDQ RX	2
1	500-106379-XXX-XX-01	ABR TO FDQ TX	1

UNLESS OTHERWISE SPECIFIED:		ALL LENGTHS IN INCHES		 Carlisle Interconnect Technologies Franklin, WI 53132 414-421-5300	
ALL DIMENSIONS ARE IN INCHES		DRAWN	S SHAFFER	8/26/19	TITLE: SMARTSKY STANDARD COAX CABLES
TOLERANCES: XOX ± .03 XOC ± .01		CHECKED	<i>[Signature]</i>	1/28/20	
THIRD ANGLE PROJECTION		DESIGNED	S SKIBINSKI	8/26/19	SIZE CAGE CODE LEVEL DWG NO. C 66197 500-106379
		PROJECTED	<i>[Signature]</i>	1/30/20	
		MANUFACTURED	<i>[Signature]</i>	1/30/20	SCALE: EFFECTIVITY: NONE SHEET: 1 OF 9

\*\*\*\* EAR CONTROLLED \*\*\*\*

**SMARTSKY COAX INSTALLATION**  
**EXAMPLE KIT PART NUMBER**  
**P/N 500-106379-1602A/3207B**

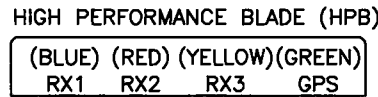
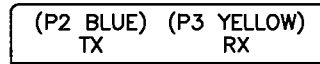
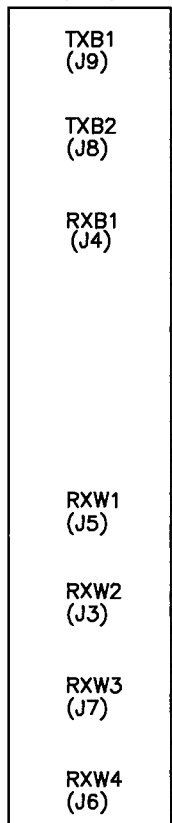


FWD ANTENNA CABLES  
INCLUDES 01 AND 02  
SEE SHEET 3.

AFT ANTENNA CABLES  
INCLUDES 03, 04, 05 AND 06  
SEE SHEET 3.

FULL-DISPLAY QUAD ANTENNA (FDQ)

AIRCRAFT BASE RADIO (ABR)



500-106379-XXX-XX-01

500-106379-XXX-XX-02

500-106379-XXX-XX-03

500-106379-XXX-XX-04

500-106379-XXX-XX-05

500-106379-XXX-XX-06

50 OHM TERMINATOR

<b>CARLISLE</b>		Carlisle Interconnect Technologies Franklin, VA 53132 414-421-5300	
SIZE C	QAGE CODE 66197	LEVEL	DWG. NO. 500-106379
SCALE	EFFECTIVITY	NONE	SHEET: 2 OF 9

\*\*\*\* EAR CONTROLLED \*\*\*\*

### CABLE ASSEMBLY PART NUMBER

## P/N 500-106379-XXX-XX-XX (ALL LENGTHS IN INCHES)

ASSEMBLY LENGTH  
(LENGTH MAYBE 3 OR 4 DIGITS)

CABLE TYPE # FROM TABLE 1

CABLE ASSEMBLY CONFIGURATION  
A, B, C, D, E OR F SEE TABLE 2

01,02,03,04,05,06 (SEE EXAMPLE BELOW)

EXAMPLE : 500-106379-160-2A-01 = 160" ASSEMBLY OF 311901 WITH TWO CTS722 CONNECTORS ON EACH END USED FOR TXB1 (ABR) TO TX (FDQ).

### CABLE ASSEMBLY CONFIGURATIONS

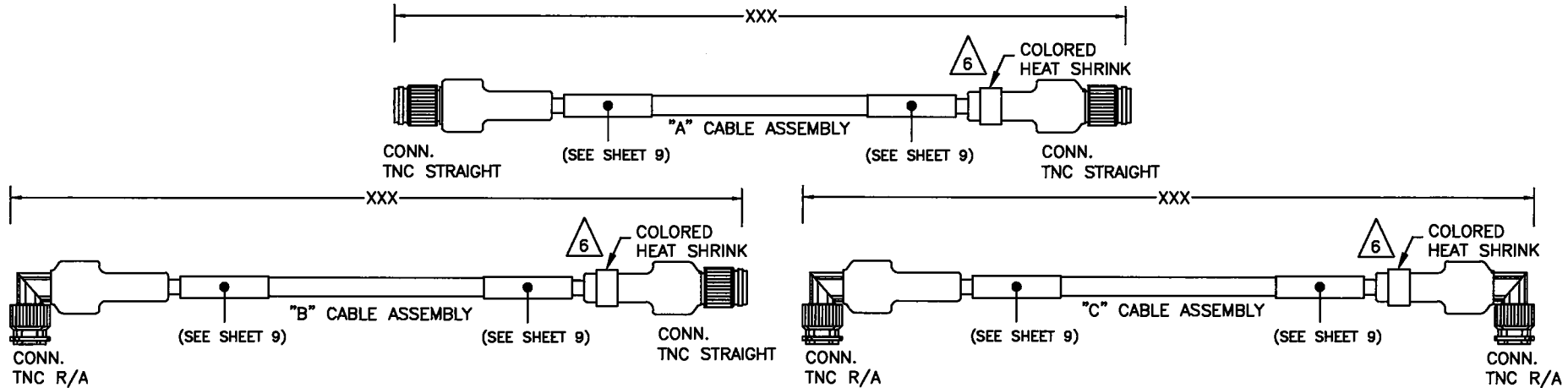


TABLE 1 (COAX CABLE TYPE)

TABLE 2 (COAX CONNECTOR & LABELS)

6	#	CABLE TYPE	MAXIMUM LENGTH			
	2	311901	162 IN	348 IN	756 IN	
			-01	-02 THRU -05	-06	
			CONFIGURATION			

C	B	A	PART NUMBER		DESCRIPTION		
			2	2	2	TMS-SCE-3/8-2.0-9	3/8 INCH HEAT SHRINK (LABEL)
			2	1	-	CTR722	RIGHT ANGLE TNC PLUG
				1	2	CTS722	STRAIGHT TNC PLUG
CONFIGURATION							

6	#	CABLE TYPE	MAXIMUM LENGTH			
	1	352001	168 IN	360 IN	780 IN	
			-01	-02 THRU -05	-06	
			CONFIGURATION			

C	B	A	PART NUMBER		DESCRIPTION		
			2	2	2	TMS-SCE-1/4-2.0-9	1/4 INCH HEAT SHRINK (LABEL)
			2	1	-	CTR3522	RIGHT ANGLE TNC PLUG
				1	2	CTS3522	STRAIGHT TNC PLUG
CONFIGURATION							

6	#	CABLE TYPE	MAXIMUM LENGTH			
	0	432101	138 IN	294 IN	636 IN	
			-01	-02 THRU -05	-06	
			CONFIGURATION			

C	B	A	PART NUMBER		DESCRIPTION		
			2	2	2	TMS-SCE-1/4-2.0-9	1/4 INCH HEAT SHRINK (LABEL)
			2	1	-	CTR522	RIGHT ANGLE TNC PLUG
				1	2	CTS522	STRAIGHT TNC PLUG
CONFIGURATION							

<b>CARLISLE</b>		Carlisle Interconnect Technologies	
		Franklin, WI 53132	
		414-421-5300	
SIZE	ORIG CODE	LEVEL	DWG NO.
C	66197		500-106379
SCALE:	EFFECTIVITY:	NONE	SHEET 3 OF 9

\*\*\*\* EAR CONTROLLED \*\*\*\*

### CABLE ASSEMBLY PART NUMBER

## P/N 500-106379-XXX-XX-XX (ALL LENGTHS IN INCHES)

ASSEMBLY LENGTH  
(LENGTH MAYBE 3 OR 4 DIGITS)

CABLE TYPE # FROM TABLE 1

CABLE ASSEMBLY CONFIGURATION  
A, B, C, D, E OR F SEE TABLE 2

01,02,03,04,05,06 (SEE EXAMPLE BELOW)

EXAMPLE : 500-106379-320-7A-01 = 320" ASSEMBLY OF 311201 WITH TWO CTS122 CONNECTORS ON EACH END USED FOR TXB1 (ABR) TO TX (FDQ).

### CABLE ASSEMBLY CONFIGURATIONS

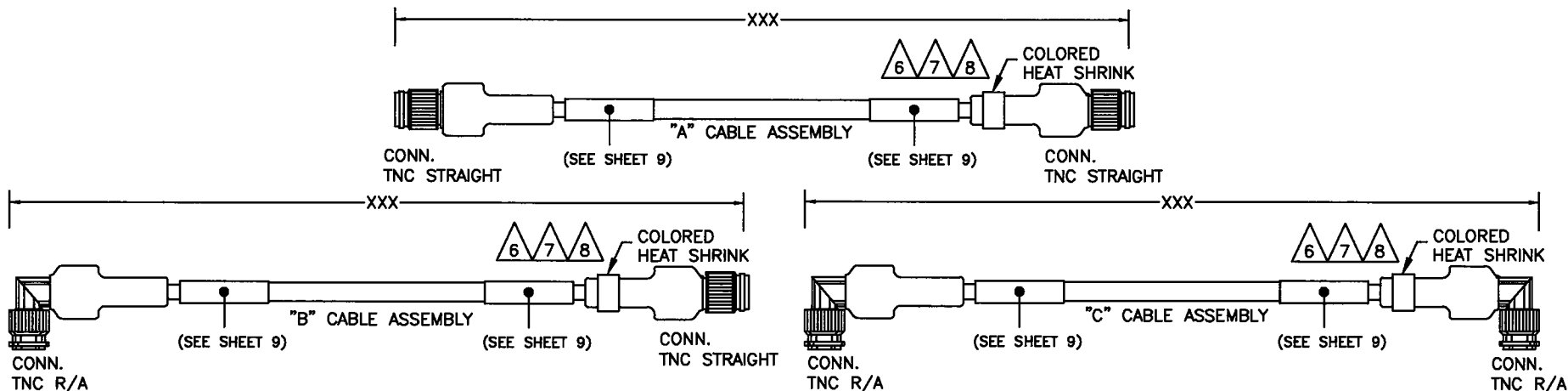


TABLE 1 (COAX CABLE TYPE)

TABLE 2 (COAX CONNECTOR & LABELS)

#	CABLE TYPE	MAXIMUM LENGTH			
8	310801	516 IN	1104 IN	2448 IN	
		-01	-02 THRU -05	-06	
CONFIGURATION					

2	2	2	TMS-SCE-3/4-2.0-9	3/4 INCH HEAT SHRINK (LABEL)
2	1	-	CTR022	RIGHT ANGLE TNC PLUG
-	1	2	CTS022	STRAIGHT TNC PLUG
C	B	A	PART NUMBER	DESCRIPTION
CONFIGURATION				

#	CABLE TYPE	MAXIMUM LENGTH			
7	311201	352 IN	744 IN	1584 IN	
		318 IN	672 IN	1464 IN	
		-01	-02 THRU -05	-06	
CONFIGURATION					

2	2	2	TMS-SCE-1/2-2.0-9	1/2 INCH HEAT SHRINK (LABEL)
2	1	-	CTR122	RIGHT ANGLE TNC PLUG
-	1	2	CTS122	STRAIGHT TNC PLUG
C	B	A	PART NUMBER	DESCRIPTION
CONFIGURATION				

#	CABLE TYPE	MAXIMUM LENGTH			
5	311501	282 IN	594 IN	1272 IN	
		232 IN	492 IN	1056 IN	
4	311601	228 IN	480 IN	936 IN	
		-01	-02 THRU -05	-06	
CONFIGURATION					

2	2	2	TMS-SCE-3/8-2.0-9	3/8 INCH HEAT SHRINK (LABEL)
2	1	-	CTR922	RIGHT ANGLE TNC PLUG
-	1	2	CTS922	STRAIGHT TNC PLUG
C	B	A	PART NUMBER	DESCRIPTION
CONFIGURATION				

**CARLISLE** Carlisle Interconnect Technologies  
Franklin, WI 53132  
414-421-5300

SIZE: C 66197 CASE CODE: LEVEL: DWG NO. 500-106379

SCALE: EFFECTIVITY: NONE SHEET: 4 OF 9

\*\*\*\* EAR CONTROLLED \*\*\*\*

### CABLE ASSEMBLY PART NUMBER

## P/N 500-106379-XXX-XX-XX (ALL LENGTHS IN INCHES)

ASSEMBLY LENGTH  
(LENGTH MAYBE 3 OR 4 DIGITS)  
CABLE TYPE # FROM TABLE 1  
CABLE ASSEMBLY CONFIGURATION  
A, B, C, D, E OR F SEE TABLE 2

01,02,03,04,05,06 (SEE EXAMPLE BELOW)

EXAMPLE : 500-106379-320-9A-01 = 320" ASSEMBLY OF  
310701 WITH TWO CTS002 CONNECTORS ON EACH END  
USED FOR TXB1 (ABR) TO TX (FDQ).

### CABLE ASSEMBLY CONFIGURATIONS

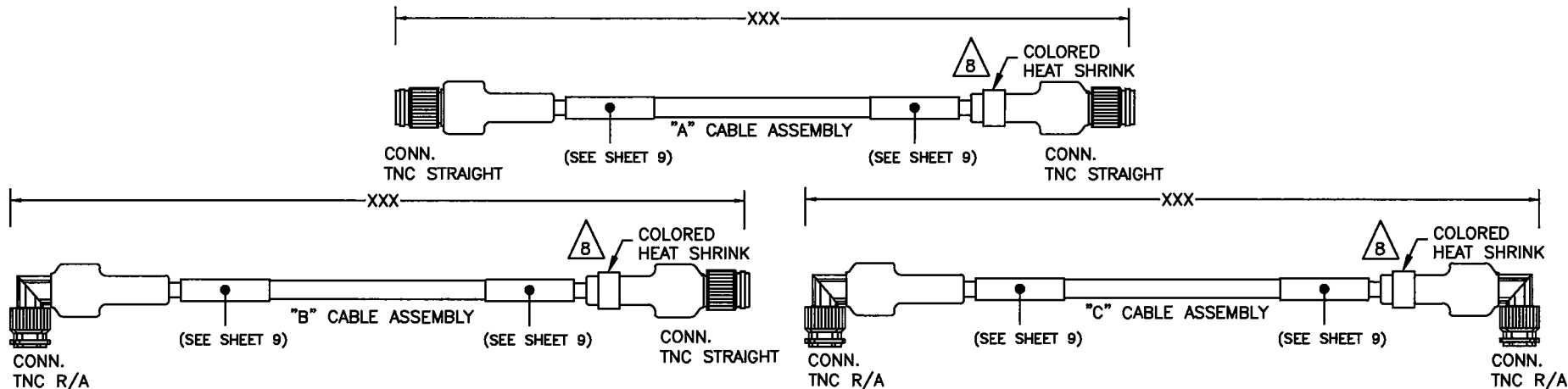


TABLE 1 (COAX CABLE TYPE)

TABLE 2 (COAX CONNECTOR & LABELS)

#	CABLE TYPE	MAXIMUM LENGTH		
9	310701	624 IN	1380 IN	2964 IN
		-01	-02 THRU -05	-06
		CONFIGURATION		

2	2	2	TMS-SCE-3/4-2.0-9	3/4 INCH HEAT SHRINK (LABEL)
2	1	-	CTR002	RIGHT ANGLE TNC PLUG
-	1	2	CTS002	STRAIGHT TNC PLUG
C	B	A	PART NUMBER	DESCRIPTION
CONFIGURATION				

<b>CARLISLE</b>		Carlisle Interconnect Technologies Franklin, Wv 53132 414-421-5300	
SIZE C	CAGE CODE 66197	LEVEL 1	DWG NO. 500-106379
SCALE	EFFECTIVITY	NONE	SHEET 5 OF 9

\*\*\*\* EAR CONTROLLED \*\*\*\*

### CABLE ASSEMBLY PART NUMBER

## P/N 500-106379-XXX-XX-XX (ALL LENGTHS IN INCHES)

ASSEMBLY LENGTH  
(LENGTH MAYBE 3 OR 4 DIGITS)

CABLE TYPE # FROM TABLE 1

CABLE ASSEMBLY CONFIGURATION  
A, B, C, D, E OR F SEE TABLE 2

01,02,03,04,05,06 (SEE EXAMPLE BELOW)

EXAMPLE : 500-106379-160-2D-01 = 160" ASSEMBLY OF  
311901 WITH TWO CTS722 CONNECTORS ON EACH END  
USED FOR TXB1 (ABR) TO TX (FDQ).

### CABLE ASSEMBLY CONFIGURATIONS

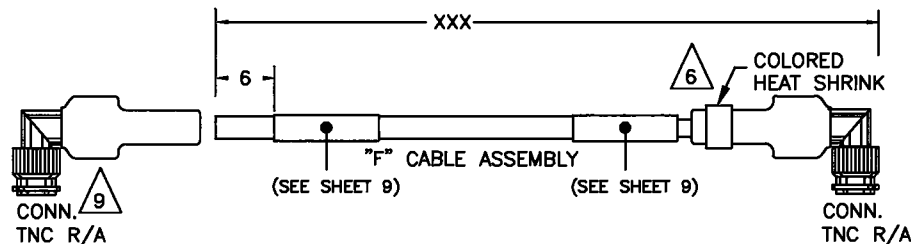
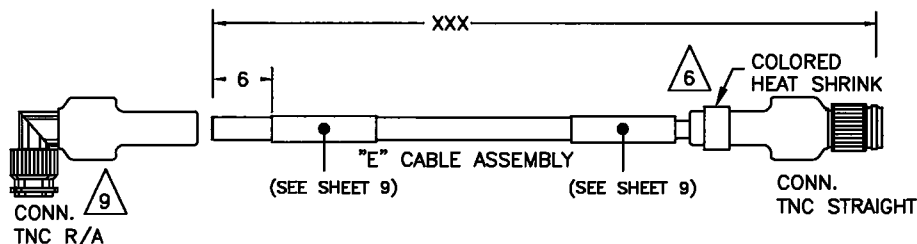
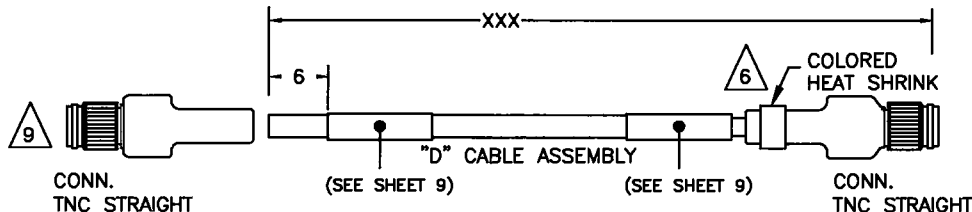


TABLE 1 (COAX CABLE TYPE)

TABLE 2 (COAX CONNECTOR & LABELS)

6	#	CABLE TYPE	MAXIMUM LENGTH			
	2	311901	162 IN	348 IN	756 IN	
			-01	-02 THRU -05	-06	
			CONFIGURATION			

2	2	2	TMS-SCE-3/8-2.0-9	3/8 INCH HEAT SHRINK (LABEL)
2	1	-	CTR722	RIGHT ANGLE TNC PLUG
-	1	2	CTS722	STRAIGHT TNC PLUG
F	E	D	PART NUMBER	DESCRIPTION
CONFIGURATION				

6	#	CABLE TYPE	MAXIMUM LENGTH			
	1	352001	168 IN	360 IN	780 IN	
			-01	-02 THRU -05	-06	
			CONFIGURATION			

2	2	2	TMS-SCE-1/4-2.0-9	1/4 INCH HEAT SHRINK (LABEL)
2	1	-	CTR3522	RIGHT ANGLE TNC PLUG
-	1	2	CTS3522	STRAIGHT TNC PLUG
F	E	D	PART NUMBER	DESCRIPTION
CONFIGURATION				

6	#	CABLE TYPE	MAXIMUM LENGTH			
	0	432101	138 IN	294 IN	636 IN	
			-01	-02 THRU -05	-06	
			CONFIGURATION			

2	2	2	TMS-SCE-1/4-2.0-9	1/4 INCH HEAT SHRINK (LABEL)
2	1	-	CTR522	RIGHT ANGLE TNC PLUG
-	1	2	CTS522	STRAIGHT TNC PLUG
F	E	D	PART NUMBER	DESCRIPTION
CONFIGURATION				

<b>CARLISLE</b>		Carlisle Interconnect Technologies Franklin, VA 53132 414-421-5300	
SIZE	CAGE CODE	LEVEL	DWG NO.
C	66197		500-106379
SCALE	EFFECTIVITY	NONE	SHEET 6 OF 9

\*\*\*\* EAR CONTROLLED \*\*\*\*

### CABLE ASSEMBLY PART NUMBER

P/N 500-106379-XXX-XX-XX (ALL LENGTHS IN INCHES)

ASSEMBLY LENGTH  
(LENGTH MAYBE 3 OR 4 DIGITS)  
CABLE TYPE # FROM TABLE 1  
CABLE ASSEMBLY CONFIGURATION  
A, B, C, D, E OR F SEE TABLE 2

01,02,03,04,05,06 (SEE EXAMPLE BELOW)

EXAMPLE : 500-106379-320-7D-01 = 320" ASSEMBLY OF 311201 WITH TWO CTS122 CONNECTORS ON EACH END USED FOR TXB1 (ABR) TO TX (FDQ).

### CABLE ASSEMBLY CONFIGURATIONS

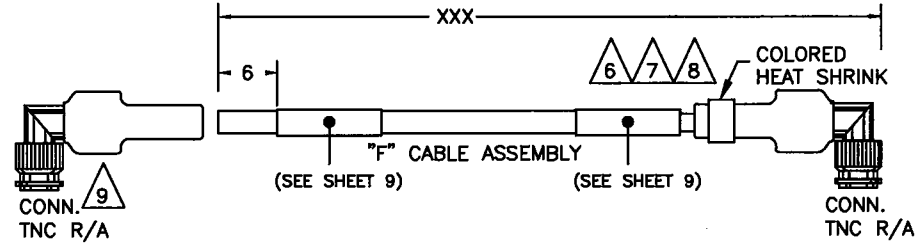
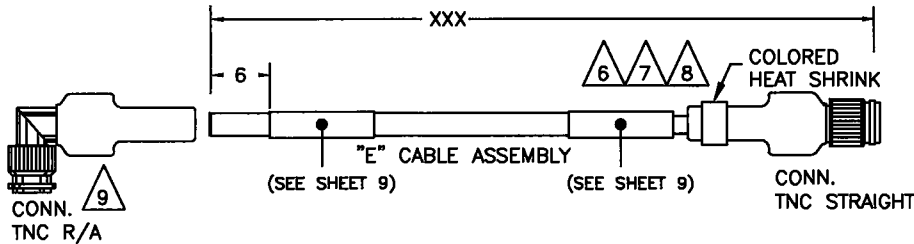
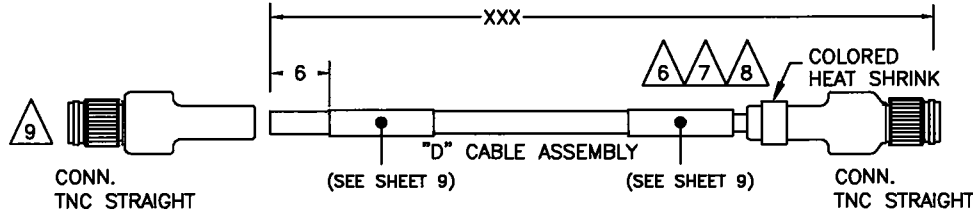


TABLE 1 (COAX CABLE TYPE)

TABLE 2 (COAX CONNECTOR & LABELS)

#	CABLE TYPE	MAXIMUM LENGTH			
		516 IN	1104 IN	2448 IN	
8	310801	-01	-02 THRU -05	-06	
		CONFIGURATION			

F	E	D	PART NUMBER	DESCRIPTION
2	2	2	TMS-SCE-3/4-2.0-9	3/4 INCH HEAT SHRINK (LABEL)
2	1	-	CTR022	RIGHT ANGLE TNC PLUG
-	1	2	CTS022	STRAIGHT TNC PLUG
CONFIGURATION				

#	CABLE TYPE	MAXIMUM LENGTH			
		352 IN	744 IN	1584 IN	
7	311201	-01	-02 THRU -05	-06	
		CONFIGURATION			

F	E	D	PART NUMBER	DESCRIPTION
2	2	2	TMS-SCE-1/2-2.0-9	1/2 INCH HEAT SHRINK (LABEL)
2	1	-	CTR122	RIGHT ANGLE TNC PLUG
-	1	2	CTS122	STRAIGHT TNC PLUG
CONFIGURATION				

#	CABLE TYPE	MAXIMUM LENGTH			
		282 IN	594 IN	1272 IN	
5	311501	-01	-02 THRU -05	-06	
		CONFIGURATION			

F	E	D	PART NUMBER	DESCRIPTION
2	2	2	TMS-SCE-3/8-2.0-9	3/8 INCH HEAT SHRINK (LABEL)
2	1	-	CTR922	RIGHT ANGLE TNC PLUG
-	1	2	CTS922	STRAIGHT TNC PLUG
CONFIGURATION				

**CARLISLE** Carlsile Interconnect Technologies  
Franklin, WI 53132  
414-421-5300

SIZE: C	GRADE CODE: 66197	LEVEL:	DWG NO. 500-106379
SCALE:	EFFECTIVITY:	NONE	SHEET: 7 OF 9

\*\*\*\* EAR CONTROLLED \*\*\*\*

### CABLE ASSEMBLY PART NUMBER

## P/N 500-106379-XXX-XX-XX (ALL LENGTHS IN INCHES)

ASSEMBLY LENGTH  
(LENGTH MAYBE 3 OR 4 DIGITS)

CABLE TYPE # FROM TABLE 1

CABLE ASSEMBLY CONFIGURATION  
A, B, C, D, E OR F SEE TABLE 2

01,02,03,04,05,06 (SEE EXAMPLE BELOW)

EXAMPLE : 500-106379-320-9D-01 = 320" ASSEMBLY OF 310701 WITH TWO CTS002 CONNECTORS ON EACH END USED FOR TXB1 (ABR) TO TX (FDQ).

### CABLE ASSEMBLY CONFIGURATIONS

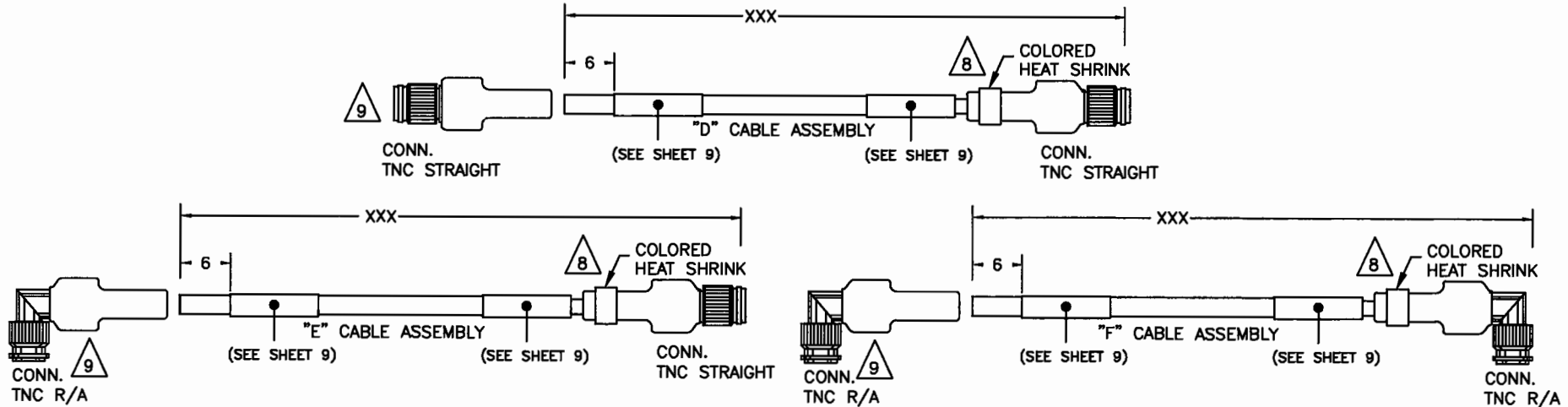


TABLE 1 (COAX CABLE TYPE)

TABLE 2 (COAX CONNECTOR & LABELS)

#	CABLE TYPE	MAXIMUM LENGTH			
9	310701	624 IN	1380 IN	2964 IN	
		-01	-02 THRU -05	-06	
CONFIGURATION					

2	2	2	TMS-SCE-3/4-2.0-9	3/4 INCH HEAT SHRINK (LABEL)
2	1	-	CTROD2	RIGHT ANGLE TNC PLUG
-	1	2	CTS002	STRAIGHT TNC PLUG
F	E	D	PART NUMBER	DESCRIPTION
CONFIGURATION				

<b>CARLISLE</b>		Carlisle Interconnect Technologies Franklin, WI 53132 414-421-5300	
SIZE C	CAGE CODE 66197	LEVEL	DWG NO. 500-106379
SCALE	EFFECTIVITY	NONE	SHEET 8 OF 9



4

3

2

1

DWG. NO.	SHEET	REV.
500-106379	9	NC

\*\*\*\* EAR CONTROLLED \*\*\*\*

### CABLE LABELING

500-106379-XXX-XX-01  
 SER# EXXXXX  
 ABR P9

500-106379-XXX-XX-02  
 SER# EXXXXX  
 ABR P4

500-106379-XXX-XX-03  
 SER# EXXXXX  
 ABR P5

500-106379-XXX-XX-04  
 SER# EXXXXX  
 ABR P3

500-106379-XXX-XX-01  
 SER# EXXXXX  
 FDQ P2  
 (BLUE)

500-106379-XXX-XX-02  
 SER# EXXXXX  
 FDQ P3  
 (YELLOW)

500-106379-XXX-XX-03  
 SER# EXXXXX  
 HPB  
 (BLUE)

500-106379-XXX-XX-04  
 SER# EXXXXX  
 HPB  
 (RED)

500-106379-XXX-XX-05  
 SER# EXXXXX  
 ABR P7

500-106379-XXX-XX-06  
 SER# EXXXXX  
 ABR P6

500-106379-XXX-XX-05  
 SER# EXXXXX  
 HPB  
 (YELLOW)

500-106379-XXX-XX-06  
 SER# EXXXXX  
 HPB  
 (GREEN)

D

D

C

C

B

B

A

A

4

3

2

1

<b>CARLISLE</b>		Carlisle Interconnect Technologies Franklin, WI 53132 414-421-5300	
SIZE: C	DATE CODE: 66197	LEVEL:	DWG NO. 500-106379
SCALE:	EFFECTIVITY:	NONE	SHEET: 9 OF 9