

\*\*\*\* EXPORT CONTROLLED DOCUMENT - EAR \*\*\*\*  
 The information in this document is subject to the Export Controls in Accordance with the Export Administration Regulations. Diversion Contrary to U.S. Law is prohibited.

REVISIONS					DATE	APPROVED
ECN	SHEET	ZONE	REV.	BRIEF DESCRIPTION (SEE ECN FOR COMPLETE CHANGE DETAILS)		
74556			NC	NEW RELEASE		

This print and associated documents and the contained information are the confidential property of CARLISLE INTERCONNECT TECHNOLOGIES. Disclosure of, and/or reproduction of, all or part thereof or manufacture of any part from information contained on this print not specifically permitted by CARLISLE INTERCONNECT TECHNOLOGIES in writing is forbidden.

CAD GENERATED DOCUMENT  
 ANY CHANGES TO THIS DOCUMENT MUST BE SUBMITTED TO THE DESIGN/DRAFTING DEPARTMENT FOR PROPER UPDATE

NOTES: UNLESS OTHERWISE SPECIFIED

- LABEL CABLES AND INSTALL HEAT SHRINK ON CONNECTORS AND CABLES PER CARLISLE WORK INSTRUCTION W1007. INFORMATION IN PARENTHESES IS NOT PART OF LABEL.
- TERMINATE CONNECTOR(S) IN ACCORDANCE WITH MANUFACTURERS INSTRUCTIONS UNLESS OTHERWISE NOTED.
- COAXIAL CABLE ASSEMBLY LENGTH TOLERANCE, UNLESS OTHERWISE NOTED;  

LENGTH	≤ 12	>12 ≤ 120	> 120
TOL	+0.5/-0.0	+3.5/-0.0	+5.5/-0.0
- INCLUDE APPROPRIATE TEST DOCUMENTATION WITH EACH SET.
- TEST TO BE PERFORMED PER M1305 AND THE FOLLOWING:  
 TEST -01 THRU -05 CABLES WITH MARKER SET AT 2483 MHz.  
 TEST -06 CABLES WITH MARKER SET AT 1600 MHz.  
 ATTENUATION: < 3.0 dB FOR -01 CABLE.  
 ATTENUATION: < 6.0 dB FOR -02 THRU -05 CABLES.  
 ATTENUATION: < 10.0 dB FOR -06 CABLE.  
 VSWR: 1.5:1 MAXIMUM FOR EACH CABLE.

6 IF USING 432101, 352001, 311901, 421601, 311601 OR 311501 APPLY A 1/2 INCH PIECE OF COLORED HEAT SHRINK P/N M23053/5-107-X SHALL BE USED. DETERMINE COLOR FROM LABEL PAGE.

7 IF USING 421201 OR 311201 APPLY A 1/2 INCH PIECE OF COLORED HEAT SHRINK P/N M23053/5-108-X SHALL BE USED. DETERMINE COLOR FROM LABEL PAGE.

8 IF USING 310701 OR 310801 APPLY A 1/2 INCH PIECE OF COLORED HEAT SHRINK P/N M23053/5-109-X SHALL BE USED. DETERMINE COLOR FROM LABEL PAGE.

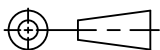

9 DO NOT TERMINATE CONNECTOR. TERMINATE CONTACT FOR TESTING. AFTER TESTING, REMOVE CONNECTOR AND COVER CONTACT WITH HEAT SHRINK. BAG CONNECTOR AND HEAT SHRINK AND SHIP WITH CABLE ASSEMBLY.

**PRELIMINARY**  
 SUBMITTED FOR CONCURRENCE  
 OF  
 CUSTOMER REQUIREMENTS

\_\_\_\_\_  
 Signature                      Date

1	500-106379-XXX-XX-06	ABR TO HPB GPS	6
1	500-106379-XXX-XX-05	ABR TO HPB RX3	5
1	500-106379-XXX-XX-04	ABR TO HPB RX2	4
1	500-106379-XXX-XX-03	ABR TO HPB RX1	3
1	500-106379-XXX-XX-02	ABR TO FDQ RX	2
1	500-106379-XXX-XX-01	ABR TO FDQ TX	1
QTY REQ'D	COMPONENTS PART NO. OR IDENTIFYING NO.	NOMENCLATURE OR DESCRIPTION	ITEM NO.

PARTS LIST

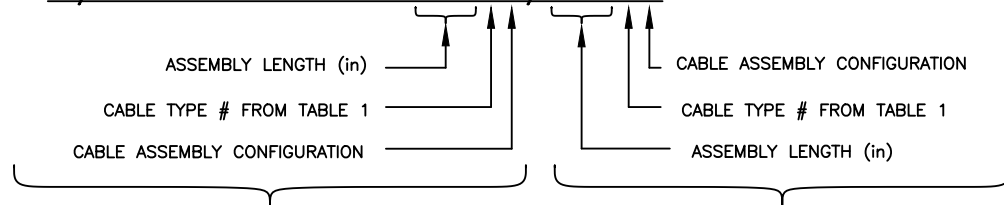
UNLESS OTHERWISE SPECIFIED: ALL DIMENSIONS ARE IN INCHES TOLERANCES: XX ± .03 XXX ± .01	ALL LENGTHS IN INCHES DRAWN S SHAFFER 8/26/19 CHECKED DESIGNED S SKIBINSKI 8/26/19 PROJECT MANUFACTURING ENGINEERING		 <p>Carlisle Interconnect Technologies Franklin, WI 53132 414-421-5300</p>	<p>TITLE: SMARTSKY STANDARD COAX CABLES</p>	<p>SIZE CAGE CODE LEVEL DWG NO. C 66197 500-106379</p>	<p>SCALE: EFFECTIVITY: NONE SHEET: 1 OF 9</p>
---	--	---	---	---	--	---

\*\*\*\* EAR CONTROLLED \*\*\*\*

# SMARTSKY COAX INSTALLATION

## EXAMPLE KIT PART NUMBER

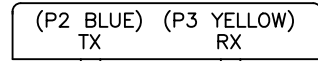
### P/N 500-106379-1602A/3207B



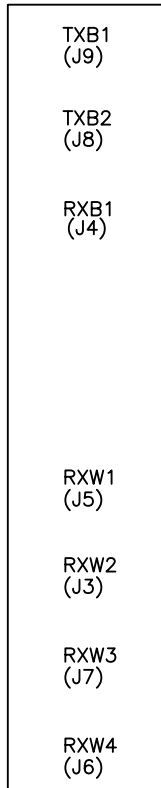
FWD ANTENNA CABLES  
INCLUDES 01 AND 02  
SEE SHEET 3.

AFT ANTENNA CABLES  
INCLUDES 03, 04, 05 AND 06  
SEE SHEET 3.

FULL-DISPLAY QUAD ANTENNA (FDQ)



AIRCRAFT BASE RADIO (ABR)



50 OHM TERMINATOR

500-106379-XXX-XX-01

500-106379-XXX-XX-02

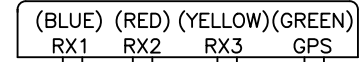
500-106379-XXX-XX-03

500-106379-XXX-XX-04

500-106379-XXX-XX-05

500-106379-XXX-XX-06

HIGH PERFORMANCE BLADE (HPB)



<b>CARLISLE</b>		Carlisle Interconnect Technologies	
		Franklin, WI 53132	
		414-421-5300	
SIZE	CAGE CODE	LEVEL	DWG NO.
C	66197		500-106379
SCALE:	EFFECTIVITY:	NONE	SHEET: 2 OF 9

\*\*\*\* EAR CONTROLLED \*\*\*\*

### CABLE ASSEMBLY PART NUMBER

## P/N 500-106379-XXX-XX-XX (ALL LENGTHS IN INCHES)

ASSEMBLY LENGTH  
(LENGTH MAYBE 3 OR 4 DIGITS)  
CABLE TYPE # FROM TABLE 1

CABLE ASSEMBLY CONFIGURATION  
A, B, C, D, E OR F SEE TABLE 2

01,02,03,04,05,06 (SEE EXAMPLE BELOW)

EXAMPLE : 500-106379-160-2A-01 = 160" ASSEMBLY OF  
311901 WITH TWO CTS722 CONNECTORS ON EACH END  
USED FOR TXB1 (ABR) TO TX (FDQ).

### CABLE ASSEMBLY CONFIGURATIONS

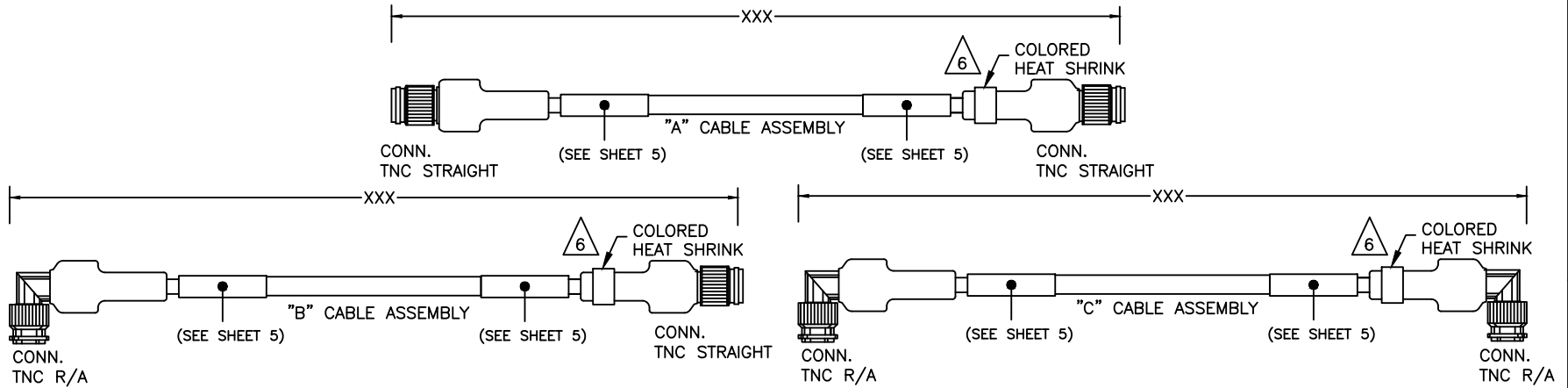


TABLE 1 (COAX CABLE TYPE)

#	CABLE TYPE	MAXIMUM LENGTH			
2	311901	162	348 IN	756 IN	
		-01	-02 THRU -05	-06	
CONFIGURATION					

TABLE 2 (COAX CONNECTOR & LABELS)

C	B	A	PART NUMBER	DESCRIPTION
2	2	2	TMS-SCE-3/8-2.0-9	3/8 INCH HEAT SHRINK (LABEL)
2	1	-	CTR722	RIGHT ANGLE TNC PLUG
-	1	2	CTS722	STRAIGHT TNC PLUG
CONFIGURATION				

#	CABLE TYPE	MAXIMUM LENGTH			
1	352001	168 IN	360 IN	780 IN	
		-01	-02 THRU -05	-06	
CONFIGURATION					

C	B	A	PART NUMBER	DESCRIPTION
2	2	2	TMS-SCE-1/4-2.0-9	1/4 INCH HEAT SHRINK (LABEL)
2	1	-	CTR3522	RIGHT ANGLE TNC PLUG
-	1	2	CTS3522	STRAIGHT TNC PLUG
CONFIGURATION				

#	CABLE TYPE	MAXIMUM LENGTH			
0	432101	138 IN	294 IN	636 IN	
		-01	-02 THRU -05	-06	
CONFIGURATION					

C	B	A	PART NUMBER	DESCRIPTION
2	2	2	TMS-SCE-1/4-2.0-9	1/4 INCH HEAT SHRINK (LABEL)
2	1	-	CTR522	RIGHT ANGLE TNC PLUG
-	1	2	CTS522	STRAIGHT TNC PLUG
CONFIGURATION				

**CARLISLE** Carlisle Interconnect Technologies  
Franklin, WI 53132  
414-421-5300

SIZE	CAGE CODE	LEVEL	DWG NO.
C	66197		500-106379
SCALE:	EFFECTIVITY:	NONE	SHEET: 3 OF 9

\*\*\*\* EAR CONTROLLED \*\*\*\*

### CABLE ASSEMBLY PART NUMBER

## P/N 500-106379-XXX-XX-XX (ALL LENGTHS IN INCHES)

ASSEMBLY LENGTH  
(LENGTH MAYBE 3 OR 4 DIGITS)  
CABLE TYPE # FROM TABLE 1

CABLE ASSEMBLY CONFIGURATION  
A, B, C, D, E OR F SEE TABLE 2

01,02,03,04,05,06 (SEE EXAMPLE BELOW)

EXAMPLE : 500-106379-320-7A-01 = 320" ASSEMBLY OF  
311201 WITH TWO CTS122 CONNECTORS ON EACH END  
USED FOR TXB1 (ABR) TO TX (FDQ).

### CABLE ASSEMBLY CONFIGURATIONS

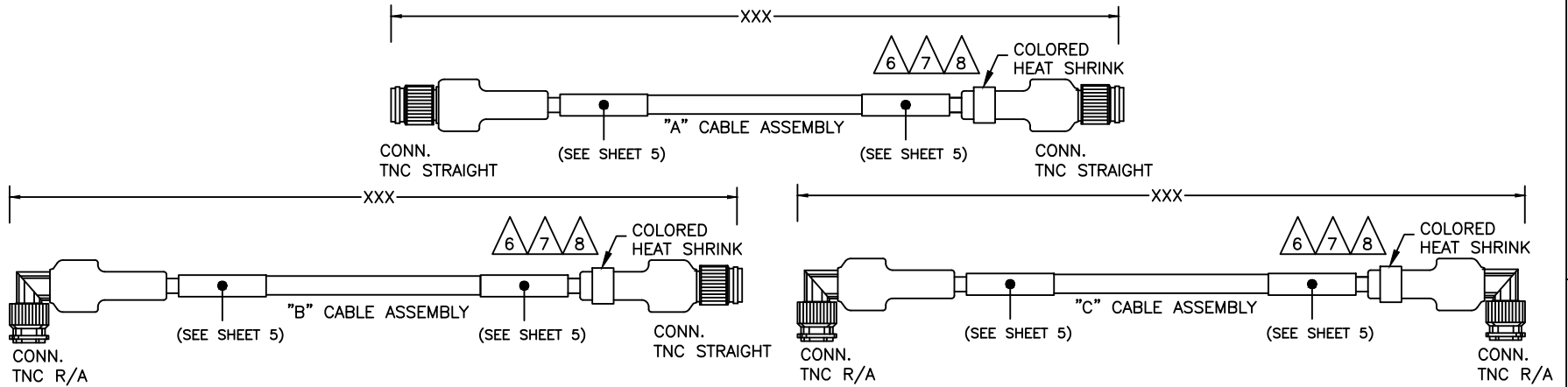


TABLE 1 (COAX CABLE TYPE)

#	CABLE TYPE	MAXIMUM LENGTH			
8	310801	516 IN	1104 IN	2448 IN	
		-01	-02 THRU -05	-06	
CONFIGURATION					

TABLE 2 (COAX CONNECTOR & LABELS)

2	2	2	TMS-SCE-3/4-2.0-9	3/4 INCH HEAT SHRINK (LABEL)
2	1	-	CTR022	RIGHT ANGLE TNC PLUG
-	1	2	CTS022	STRAIGHT TNC PLUG
C	B	A	PART NUMBER	DESCRIPTION
CONFIGURATION				

#	CABLE TYPE	MAXIMUM LENGTH			
7	311201	352 IN	744 IN	1584 IN	
		318 IN	672 IN	1464 IN	
CONFIGURATION					

2	2	2	TMS-SCE-1/2-2.0-9	1/2 INCH HEAT SHRINK (LABEL)
2	1	-	CTR122	RIGHT ANGLE TNC PLUG
-	1	2	CTS122	STRAIGHT TNC PLUG
C	B	A	PART NUMBER	DESCRIPTION
CONFIGURATION				

#	CABLE TYPE	MAXIMUM LENGTH			
6	421601	282 IN	594 IN	1272 IN	
		232 IN	492 IN	1056 IN	
		228 IN	480 IN	936 IN	
CONFIGURATION					

2	2	2	TMS-SCE-3/8-2.0-9	3/8 INCH HEAT SHRINK (LABEL)
2	1	-	CTR922	RIGHT ANGLE TNC PLUG
-	1	2	CTS922	STRAIGHT TNC PLUG
C	B	A	PART NUMBER	DESCRIPTION
CONFIGURATION				

**CARLISLE** Carlisle Interconnect Technologies  
Franklin, WI 53132  
414-421-5300

SIZE	CAGE CODE	LEVEL	DWG NO.
C	66197		500-106379
SCALE:	EFFECTIVITY:	NONE	SHEET: 4 OF 9

\*\*\*\* EAR CONTROLLED \*\*\*\*

### CABLE ASSEMBLY PART NUMBER

P/N 500-106379-XXX-XX-XX (ALL LENGTHS IN INCHES)

ASSEMBLY LENGTH  
(LENGTH MAYBE 3 OR 4 DIGITS)  
CABLE TYPE # FROM TABLE 1

CABLE ASSEMBLY CONFIGURATION  
A, B, C, D, E OR F SEE TABLE 2

01,02,03,04,05,06 (SEE EXAMPLE BELOW)

EXAMPLE : 500-106379-320-9A-01 = 320" ASSEMBLY OF  
310701 WITH TWO CTS002 CONNECTORS ON EACH END  
USED FOR TXB1 (ABR) TO TX (FDQ).

### CABLE ASSEMBLY CONFIGURATIONS

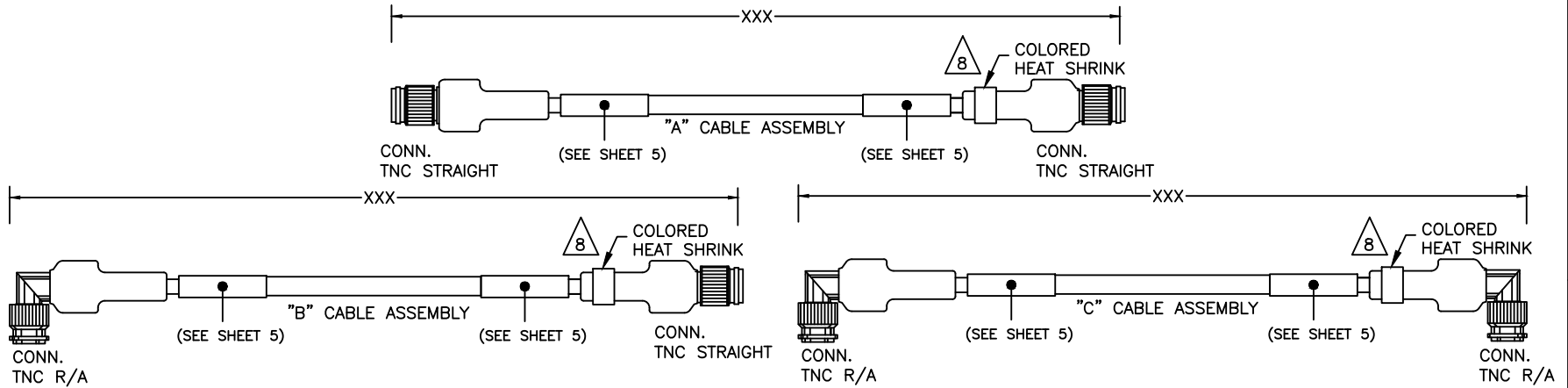


TABLE 1 (COAX CABLE TYPE)

#	CABLE TYPE	MAXIMUM LENGTH		
		624 IN	1380 IN	2964 IN
9	310701	-01	-02 THRU -05	-06
CONFIGURATION				

TABLE 2 (COAX CONNECTOR & LABELS)

2	2	2	TMS-SCE-3/4-2.0-9	3/4 INCH HEAT SHRINK (LABEL)
2	1	-	CTRO02	RIGHT ANGLE TNC PLUG
-	1	2	CTS002	STRAIGHT TNC PLUG
C	B	A	PART NUMBER	DESCRIPTION
CONFIGURATION				

<b>CARLISLE</b>		Carlisle Interconnect Technologies Franklin, WI 53132 414-421-5300	
SIZE	CAGE CODE	LEVEL	DWG NO.
C	66197		500-106379
SCALE:	EFFECTIVITY:	NONE	SHEET: 5 OF 9

\*\*\*\* EAR CONTROLLED \*\*\*\*

### CABLE ASSEMBLY PART NUMBER

## P/N 500-106379-XXX-XX-XX (ALL LENGTHS IN INCHES)

ASSEMBLY LENGTH  
(LENGTH MAYBE 3 OR 4 DIGITS)  
CABLE TYPE # FROM TABLE 1  
CABLE ASSEMBLY CONFIGURATION  
A, B, C, D, E OR F SEE TABLE 2

01,02,03,04,05,06 (SEE EXAMPLE BELOW)

EXAMPLE : 500-106379-160-2D-01 = 160" ASSEMBLY OF  
311901 WITH TWO CTS722 CONNECTORS ON EACH END  
USED FOR TXB1 (ABR) TO TX (FDQ).

### CABLE ASSEMBLY CONFIGURATIONS

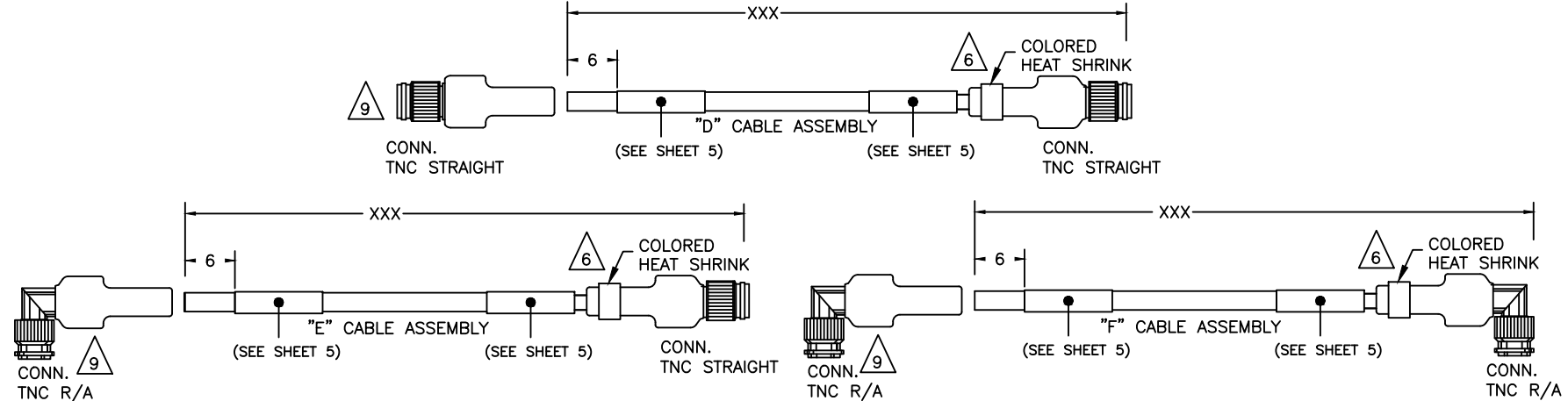


TABLE 1 (COAX CABLE TYPE)

#	CABLE TYPE	MAXIMUM LENGTH			
2	311901	162	348 IN	756 IN	
		-01	-02 THRU -05	-06	
		CONFIGURATION			

TABLE 2 (COAX CONNECTOR & LABELS)

F	E	D	PART NUMBER	DESCRIPTION
2	2	2	TMS-SCE-3/8-2.0-9	3/8 INCH HEAT SHRINK (LABEL)
2	1	-	CTR722	RIGHT ANGLE TNC PLUG
-	1	2	CTS722	STRAIGHT TNC PLUG
CONFIGURATION				

#	CABLE TYPE	MAXIMUM LENGTH			
1	352001	168 IN	360 IN	780 IN	
		-01	-02 THRU -05	-06	
		CONFIGURATION			

F	E	D	PART NUMBER	DESCRIPTION
2	2	2	TMS-SCE-1/4-2.0-9	1/4 INCH HEAT SHRINK (LABEL)
2	1	-	CTR3522	RIGHT ANGLE TNC PLUG
-	1	2	CTS3522	STRAIGHT TNC PLUG
CONFIGURATION				

#	CABLE TYPE	MAXIMUM LENGTH			
0	432101	138 IN	294 IN	636 IN	
		-01	-02 THRU -05	-06	
		CONFIGURATION			

F	E	D	PART NUMBER	DESCRIPTION
2	2	2	TMS-SCE-1/4-2.0-9	1/4 INCH HEAT SHRINK (LABEL)
2	1	-	CTR522	RIGHT ANGLE TNC PLUG
-	1	2	CTS522	STRAIGHT TNC PLUG
CONFIGURATION				

**CARLISLE** Carlisle Interconnect Technologies  
Franklin, WI 53132  
414-421-5300

SIZE	CAGE CODE	LEVEL	DWG NO.
C	66197		500-106379
SCALE:	EFFECTIVITY:	NONE	SHEET: 6 OF 9

\*\*\*\* EAR CONTROLLED \*\*\*\*

### CABLE ASSEMBLY PART NUMBER

## P/N 500-106379-XXX-XX-XX (ALL LENGTHS IN INCHES)

ASSEMBLY LENGTH  
(LENGTH MAYBE 3 OR 4 DIGITS)  
CABLE TYPE # FROM TABLE 1

CABLE ASSEMBLY CONFIGURATION  
A, B, C, D, E OR F SEE TABLE 2

01,02,03,04,05,06 (SEE EXAMPLE BELOW)

EXAMPLE : 500-106379-320-7D-01 = 320" ASSEMBLY OF  
311201 WITH TWO CTS122 CONNECTORS ON EACH END  
USED FOR TXB1 (ABR) TO TX (FDQ).

### CABLE ASSEMBLY CONFIGURATIONS

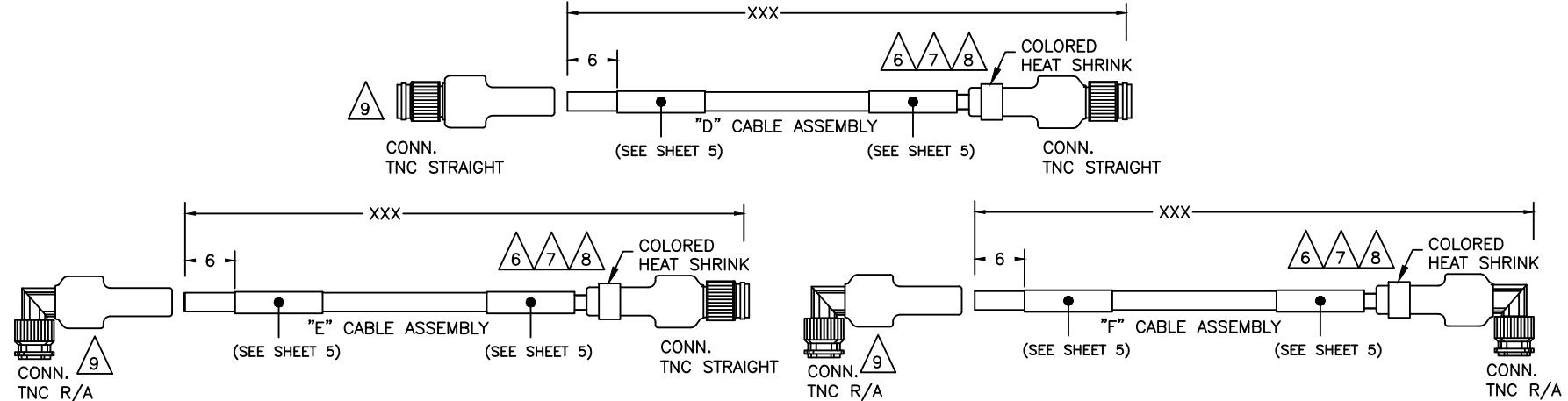


TABLE 1 (COAX CABLE TYPE)

#	CABLE TYPE	MAXIMUM LENGTH			
8	310801	516 IN	1104 IN	2448 IN	
		-01	-02 THRU -05	-06	
CONFIGURATION					

TABLE 2 (COAX CONNECTOR & LABELS)

F	E	D	PART NUMBER	DESCRIPTION
2	2	2	TMS-SCE-3/4-2.0-9	3/4 INCH HEAT SHRINK (LABEL)
2	1	-	CTR022	RIGHT ANGLE TNC PLUG
-	1	2	CTS022	STRAIGHT TNC PLUG
CONFIGURATION				

#	CABLE TYPE	MAXIMUM LENGTH			
7	311201	352 IN	744 IN	1584 IN	
		318 IN	672 IN	1464 IN	
CONFIGURATION					

F	E	D	PART NUMBER	DESCRIPTION
2	2	2	TMS-SCE-1/2-2.0-9	1/2 INCH HEAT SHRINK (LABEL)
2	1	-	CTR122	RIGHT ANGLE TNC PLUG
-	1	2	CTS122	STRAIGHT TNC PLUG
CONFIGURATION				

#	CABLE TYPE	MAXIMUM LENGTH			
6	5	282 IN	594 IN	1272 IN	
	4	232 IN	492 IN	1056 IN	
	3	228 IN	480 IN	936 IN	
CONFIGURATION					

F	E	D	PART NUMBER	DESCRIPTION
2	2	2	TMS-SCE-3/8-2.0-9	3/8 INCH HEAT SHRINK (LABEL)
2	1	-	CTR922	RIGHT ANGLE TNC PLUG
-	1	2	CTS922	STRAIGHT TNC PLUG
CONFIGURATION				

**CARLISLE** Carlisle Interconnect Technologies  
Franklin, WI 53132  
414-421-5300

SIZE	CAGE CODE	LEVEL	DWG NO.
C	66197		500-106379
SCALE:	EFFECTIVITY:	NONE	SHEET: 7 OF 9

\*\*\*\* EAR CONTROLLED \*\*\*\*

### CABLE ASSEMBLY PART NUMBER

## P/N 500-106379-XXX-XX-XX (ALL LENGTHS IN INCHES)

ASSEMBLY LENGTH  
(LENGTH MAYBE 3 OR 4 DIGITS)  
CABLE TYPE # FROM TABLE 1  
CABLE ASSEMBLY CONFIGURATION  
A, B, C, D, E OR F SEE TABLE 2

01,02,03,04,05,06 (SEE EXAMPLE BELOW)

EXAMPLE : 500-106379-320-9D-01 = 320" ASSEMBLY OF 310701 WITH TWO CTS002 CONNECTORS ON EACH END USED FOR TXB1 (ABR) TO TX (FDQ).

### CABLE ASSEMBLY CONFIGURATIONS

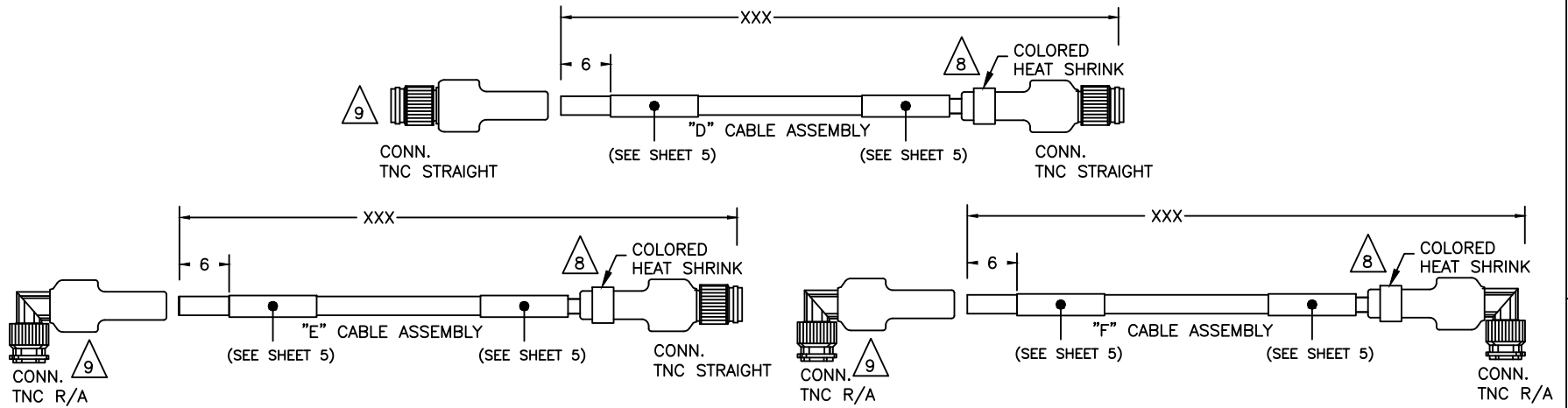


TABLE 1 (COAX CABLE TYPE)

#	CABLE TYPE	MAXIMUM LENGTH		
		624 IN	1380 IN	2964 IN
9	310701	-01	-02 THRU -05	-06
CONFIGURATION				

TABLE 2 (COAX CONNECTOR & LABELS)

2	2	2	TMS-SCE-3/4-2.0-9	3/4 INCH HEAT SHRINK (LABEL)
2	1	-	CTRO02	RIGHT ANGLE TNC PLUG
-	1	2	CTS002	STRAIGHT TNC PLUG
F	E	D	PART NUMBER	DESCRIPTION
CONFIGURATION				

**CARLISLE** Carlisle Interconnect Technologies  
Franklin, WI 53132  
414-421-5300

SIZE	CAGE CODE	LEVEL	DWG NO.
C	66197		500-106379
SCALE:	EFFECTIVITY:	NONE	SHEET: 8 OF 9



4

3

2

1

DWG. NO. 500-106379	SHEET 9	REV. NC
------------------------	------------	------------

\*\*\*\* EAR CONTROLLED \*\*\*\*

CABLE LABELING

500-106379-XXX-XX-01  
SER# EXXXXX  
ABR P9

500-106379-XXX-XX-02  
SER# EXXXXX  
ABR P4

500-106379-XXX-XX-03  
SER# EXXXXX  
ABR P5

500-106379-XXX-XX-04  
SER# EXXXXX  
ABR P3

500-106379-XXX-XX-01  
SER# EXXXXX  
FDQ P2  
(BLUE)

500-106379-XXX-XX-02  
SER# EXXXXX  
FDQ P3  
(YELLOW)

500-106379-XXX-XX-03  
SER# EXXXXX  
HPB  
(BLUE)

500-106379-XXX-XX-04  
SER# EXXXXX  
HPB  
(RED)

500-106379-XXX-XX-05  
SER# EXXXXX  
ABR P7

500-106379-XXX-XX-06  
SER# EXXXXX  
ABR P6

500-106379-XXX-XX-05  
SER# EXXXXX  
HPB  
(YELLOW)

500-106379-XXX-XX-06  
SER# EXXXXX  
HPB  
(GREEN)

D

D

C

C

B

B

A


A

4

3

2

1

		Carlisle Interconnect Technologies Franklin, WI 53132 414-421-5300	
SIZE C	CAGE CODE 66197	LEVEL	DWG NO. 500-106379
SCALE:	EFFECTIVITY:	NONE	SHEET: 9 OF 9