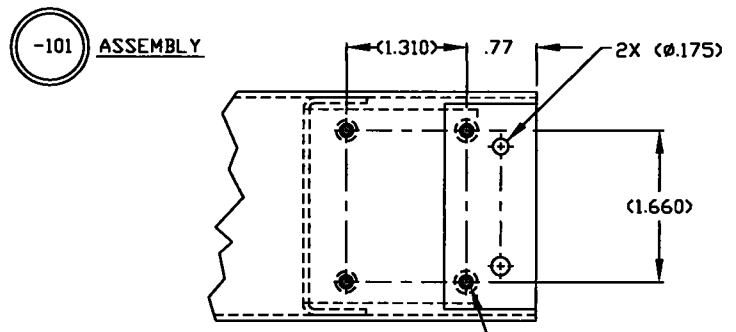
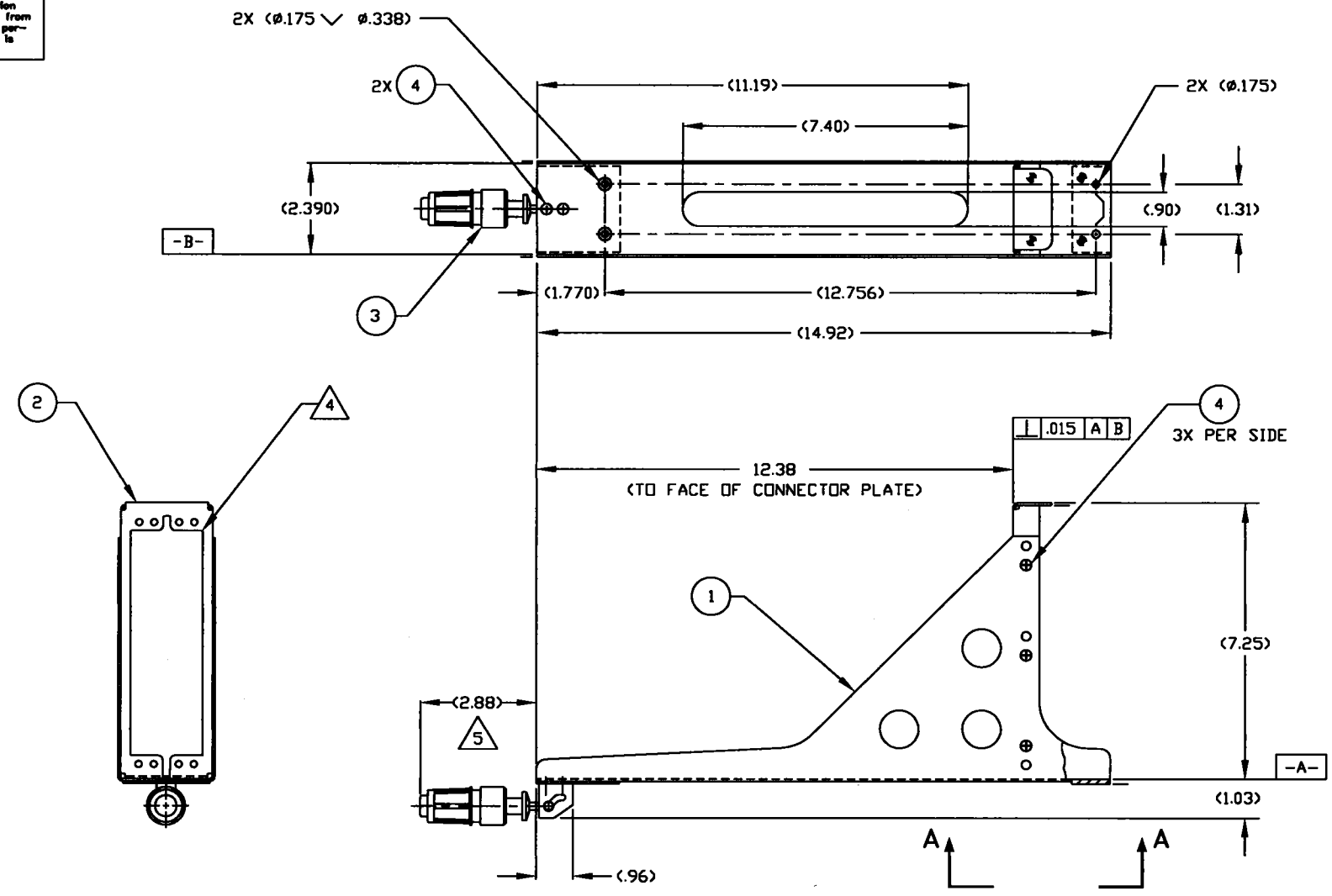


This print and associated documents and the contained information are the confidential property of ELECTRONIC CABLE SPECIALISTS. Disclosure of, and/or reproduction of, all or part thereof or manufacture of any part from information contained on this print not specifically permitted by ELECTRONIC CABLE SPECIALISTS in writing is forbidden.

DWG NO. 6332		SHEET 1	REV. C	REVISIONS		
ECN	SHT	ZONE	REV.	DESCRIPTION	DATE	APPROVED
5816			N/C	RELEASED FOR DESIGN APPROVAL.	SHK 8/8/97	M RIECK
7029	A8 B3 B4		A	DELETED CONFIGURATION MODULE DELETED NOTE 6 DELETED DETAIL A ADDED VIEW A-A REVISED NOTE 2	SHK 6/29/98	MINOOD S
7675			B	ADDED NOTE 7	PS 9/29/99	L HECKEL
26676			C	DIM (2.390) WAS (2.385)	LGR 10/6/06	<i>Cell</i>



- 7. IDENTIFY WITH ECS P/N AND LOT #, PER EP 210
- 6. - DELETED -
- 5. MAXIMUM EXTENSION WHEN LRU IS SECURELY FASTENED TO TRAY ASSEMBLY.
- 4. UNIVERSAL CONNECTOR CUT-OUT PER ARINC 600, SIZE 1 OR 2.
- 3. FINISH: (CLEAR CHEM FILM PER MIL-C-5541, CLASS 3).

- 2. DESIGNED TO MEET THE APPLICABLE REQUIREMENTS OF THE FOLLOWING:
  - A. ARINC 600-9; 2 MCU
  - B. RTCA/DO-160C ENV. CAT [A3F2]-BABXXXXXXXXXXXXXXXXXX
- 1. DIMENSIONS AND TOLERANCES PER ANSI Y14.5M-1982.

NOTES: UNLESS OTHERWISE SPECIFIED

QTY REQ'D	QTY REQ'D	COMPONENTS PART NO. OR IDENTIFYING NO.	NOMENCLATURE OR DESCRIPTION	MATERIAL/SPECIFICATION	SIZE CODE	REN. NO.
8		MS24693-C25	SCREW, FLAT HEAD	(#6-32 X .31 LONG)		4
1		10344-101	HOLD DOWN ASSY, INSERTION EXTRACTION			3
1		11321-101	CONNECTOR PLATE ASSY, 2 MCU	(.063 AL ALLOY 6061)		2
1		11323CC-101	TRAY WELDING ASSY, 2 MCU	(.063 AL ALLOY 6061)		1

<b>THIRD ANGLE PROJECTION</b> 				UNLESS OTHERWISE SPECIFIED TOLERANCES ARE IN INCHES FRACTIONS DECIMALS ANGULAR & T 1/16 0.0625 1/8 0.125 1/4 0.250 3/8 0.375 1/2 0.500 3/4 0.750 1 1.000 DO NOT SCALE DRAWING				CONTRACT NO. S. KANTORSKI DATE 7/1/97 CHECKED M RIECK DATE 8/8/97 DESIGNED K SOMMERS DATE 8/8/97 PROJECT M RIECK DATE 8/8/97 MANUFACTURING DATE DRAWING T ANTCAK DATE 8/8/97			
CAD GENERATED DOCUMENT ANY CHANGES TO THIS DOCUMENT MUST BE SUBMITTED TO THE DESIGN/DRAFTING DEPARTMENT FOR PROPER UPDATE				-101 1 FINAL 97-2244 -101 1 FINAL 97-0989				ELECTRONIC CABLE SPECIALISTS FRANKLIN, WI 53132 PHONE: (414) 421-5300 <b>TRAY ASSY, 2 MCU, S/S, W/ OVAL CUTOUT</b> SIZE D 66197 C/A SCALE 1/2 EFFECTIVITY SHEET 1 OF 1			