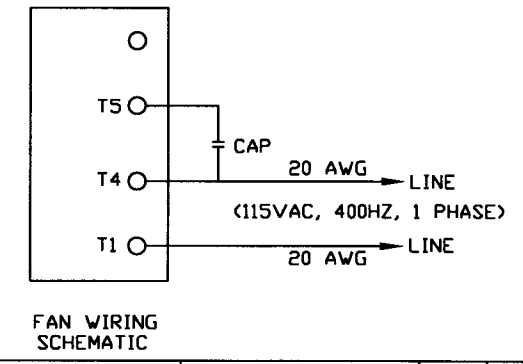
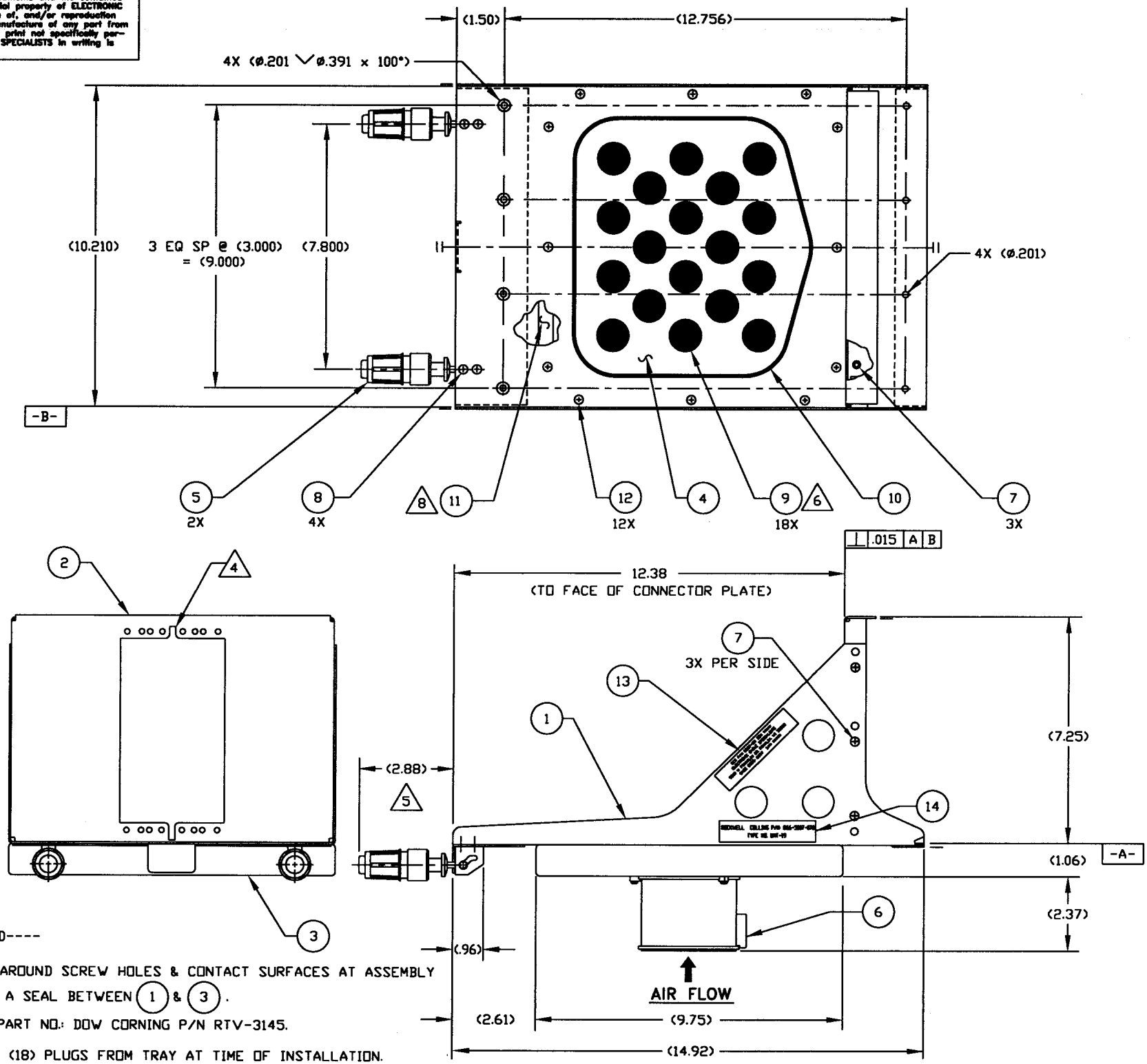


This print and associated documents and the contained information are the confidential property of ELECTRONIC CABLE SPECIALISTS. Disclosure of, and/or reproduction of, all or part thereof or manufacture of any part from information contained on this print not specifically permitted by ELECTRONIC CABLE SPECIALISTS in writing is forbidden.

REVISIONS						
ECN	SHT.	ZONE	REV.	BRIEF DESCRIPTION (SEE ECN FOR FULL DESCRIPTION)	DATE	APPROVED
			X	SUBMITTED TO CUSTOMER PENDING APPROVAL.	5/30/96	T ANT CZAK
			1	RELEASE FOR FIRST ARTICLE MANUFACTURING.	LJH 6/4/96	K SOMMERS
			2	ITEM 3 P/N WAS S0109CC-208.	LJH 6/10/96	T ANT CZAK
4341			N/C	RELEASE FOR FULL PRODUCTION.	LJH 6/10/96	T ANT CZAK
5328	P/L	A		ADDED ITEM 12 CHNG'D QTY OF ITEM 7 WAS 17 ADDED 4 PLENUM SCREWS CHNG'D CALLOUT WAS BALLOON 7 8X	MJB 7/23/99	J SHAW
9824		B		ADDED NOTE 9	PS 10/3/99	J SHAW
25459	P/L	C		ADDED ITEMS 13 & 14.	LJH 5/19/06	C BELL
33160	P/L	D		FLAG NOTE CALLOUTS 7 & 8 WAS 3 & 10. REVISED ITEM 13 ADDED "866-5007-070" TO NEXT LEVEL DELETED NOTE 9	GJS 6/16/08	<i>C Bell</i>



QTY REQ'D	COMPONENTS PART NO. OR IDENTIFYING NO.	NOMENCLATURE OR DESCRIPTION	MIN./MAX. SPECIFICATION	CAGE CODE	REF. NO.
1	200-11426-02	PLACARD	-		14
1	200-11426-01	PLACARD	-		13
12	MS24693-C24	SCREW, FLAT HEAD	(#6-32 X .25 LONG)		12
A/R	DOW CORNING RTV 732	ADHESIVE SEALANT CLEAR	(SILICONE RUBBER)	71984	11
1	10016-108	DEFM. SEAL, 8 MCU	(SILICONE RUBBER)		10
18	10736-01	PLUG BUMPER	(RUBBER)		9
4	MS24693-C25	SCREW, FLAT HEAD	(.138-32 X .31 LONG)		8
9	MS24693-C26	SCREW, FLAT HEAD	(.138-32 X .38 LONG)		7
1	S0085-116	FAN ASSY, AC			6
2	10344-101	HOLD DOWN, FRONT INSERTION/EXTRACTION			5
1	10035CC-01	METERING PLATE, 8 MCU	(.040 AL ALLOY 5052 OR 6061)		4
1	S0109CC-408	PLENUM ASSY, 8 MCU	(.040 AL ALLOY 6061)		3
1	10018CC-110	CONNECTOR PLATE ASSY, 8 MCU	(.063 AL ALLOY 6061)		2
1	10878CC-101	TRAY WELDING ASSY, 8 MCU	(.063 AL ALLOY 6061)		1

- 9. ----DELETED----
 - 8. APPLY 11 AROUND SCREW HOLES & CONTACT SURFACES AT ASSEMBLY TO PROVIDE A SEAL BETWEEN 1 & 3.
 - 7. ALTERNATE PART NO.: DOW CORNING P/N RTV-3145.
 - 6. REMOVE ALL (18) PLUGS FROM TRAY AT TIME OF INSTALLATION.
 - 5. MAXIMUM EXTENSION WHEN LRU IS SECURELY FASTENED TO TRAY ASSEMBLY.
 - 4. UNIVERSAL CONNECTOR CUT-OUT FOR ARINC 600; SIZE 1, 2 OR 3.
 - 3. FINISH: (CLEAR CHEM FILM PER MIL-C-5541, CLASS 3).
 - 2. DESIGNED TO MEET THE APPLICABLE REQUIREMENTS OF THE FOLLOWING:
 - A: ARINC 600-9; 8 MCU, EXCEPTIONS AND LIMITATIONS TO ARINC 600-9: 1. MAX HEAT DISSIPATION = 360 WATTS.
 - B: RTCA/DO-160C ENV. CAT. F1-BABXXXXXXXXXXXXXXXXXX. EXCEPTIONS AND LIMITATIONS TO CAT. F1: 1. MAX INLET TEMP @ 55,000 FT = -40 C.
 - 1. DIMENSIONS AND TOLERANCES PER ANSI Y14.5M-1982.
- NOTES: UNLESS OTHERWISE SPECIFIED

THIRD ANGLE PROJECTION				WEIGHT	UNLESS OTHERWISE SPECIFIED DIMENSIONS ARE IN INCHES TOLERANCES ARE:	CONTRACT NO.
				3.9 lbs	FRACTIONS DECIMALS ANGULAR & T	
CAD GENERATED DOCUMENT ANY CHANGES TO THIS DOCUMENT MUST BE SUBMITTED TO THE DESIGN/DRAFTING DEPARTMENT FOR PROPER UPDATE					DO NOT SCALE DRAWING	
-101		FINAL	96-0109	PRODUCTION		
COMP/ISSY PART NO.	QTY REQ'D	NEXT/PANEL DWG	PROJECT NO.	QUALITY ASSURANCE		
APPLICATION				ADDITIONAL APPROVALS	DATE	

DRAWN: L HECKEL		DATE: 5/30/96	ELECTRONIC CABLE SPECIALISTS FRANKLIN, WI 53132 PHONE: (414) 421-5300
CHECKED: K SOMMERS		DATE: 6/4/96	
DESIGNED: L HECKEL		DATE: 6/4/96	TITLE: TRAY ASSY, 8 MCU S/S W/ BOTTOM FAN & MTG HOLES
PROJECT:		DATE:	
MANUFACTURING:		DATE:	SCALE: 1/2
ENGINEERING: D BAKER		DATE: 6/4/96	
SIMILAR TO: 6093-104		ACT. WT: CALC WT:	DWG NO. 6269
			SHEET 1 OF 1