

This print and associated documents and the contained information are the confidential property of ELECTRONIC CABLE SPECIALISTS. Disclosure of, and/or reproduction of, all or part thereof or manufacture of any part from information contained on this print not specifically permitted by ELECTRONIC CABLE SPECIALISTS in writing is forbidden.

**** EXPORT CONTROLLED DOCUMENT - EAR ****
 The information in this document is subject to the Export Controls in Accordance with the Export Administration Regulations. Diversion Contrary to U.S. Law is prohibited.

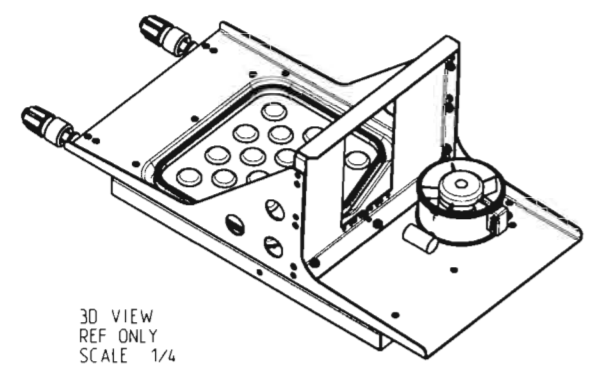
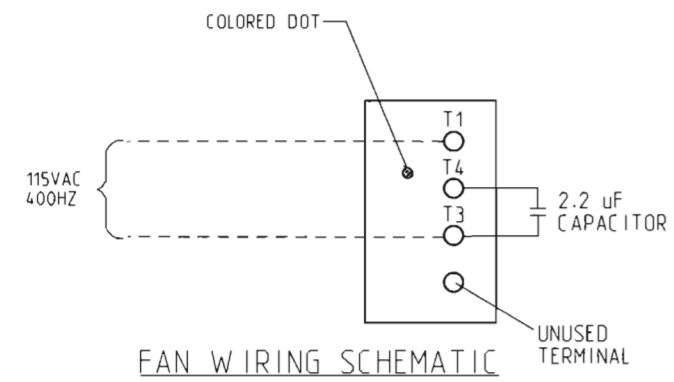
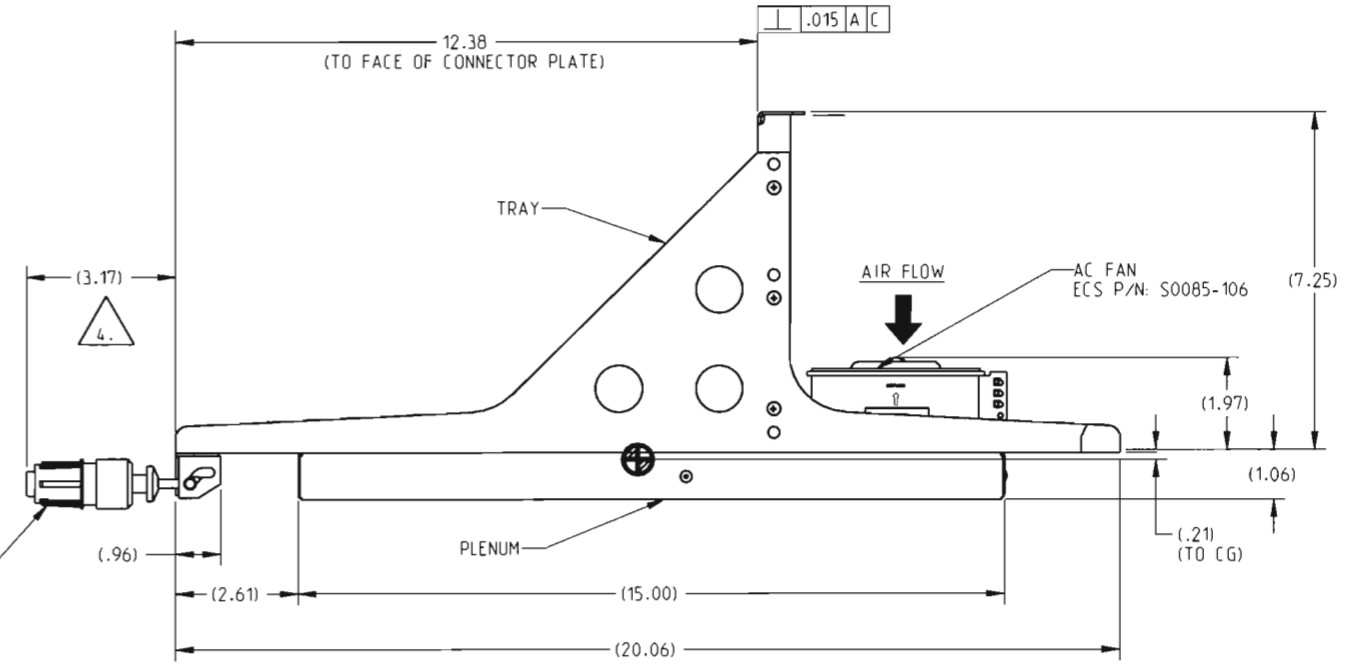
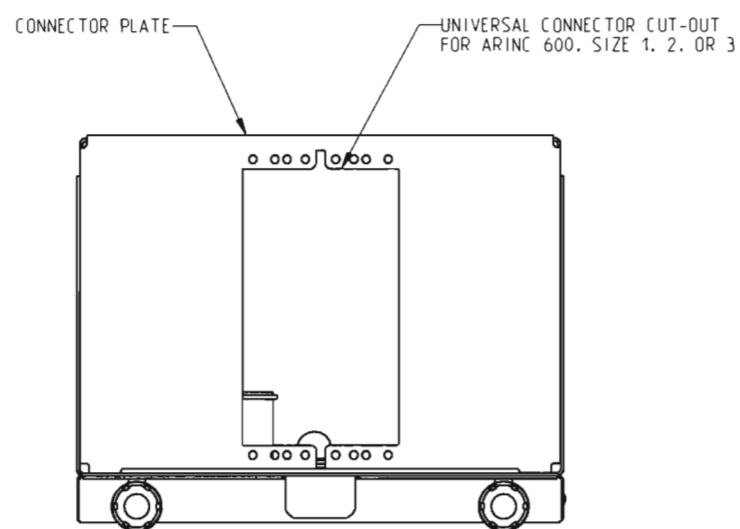
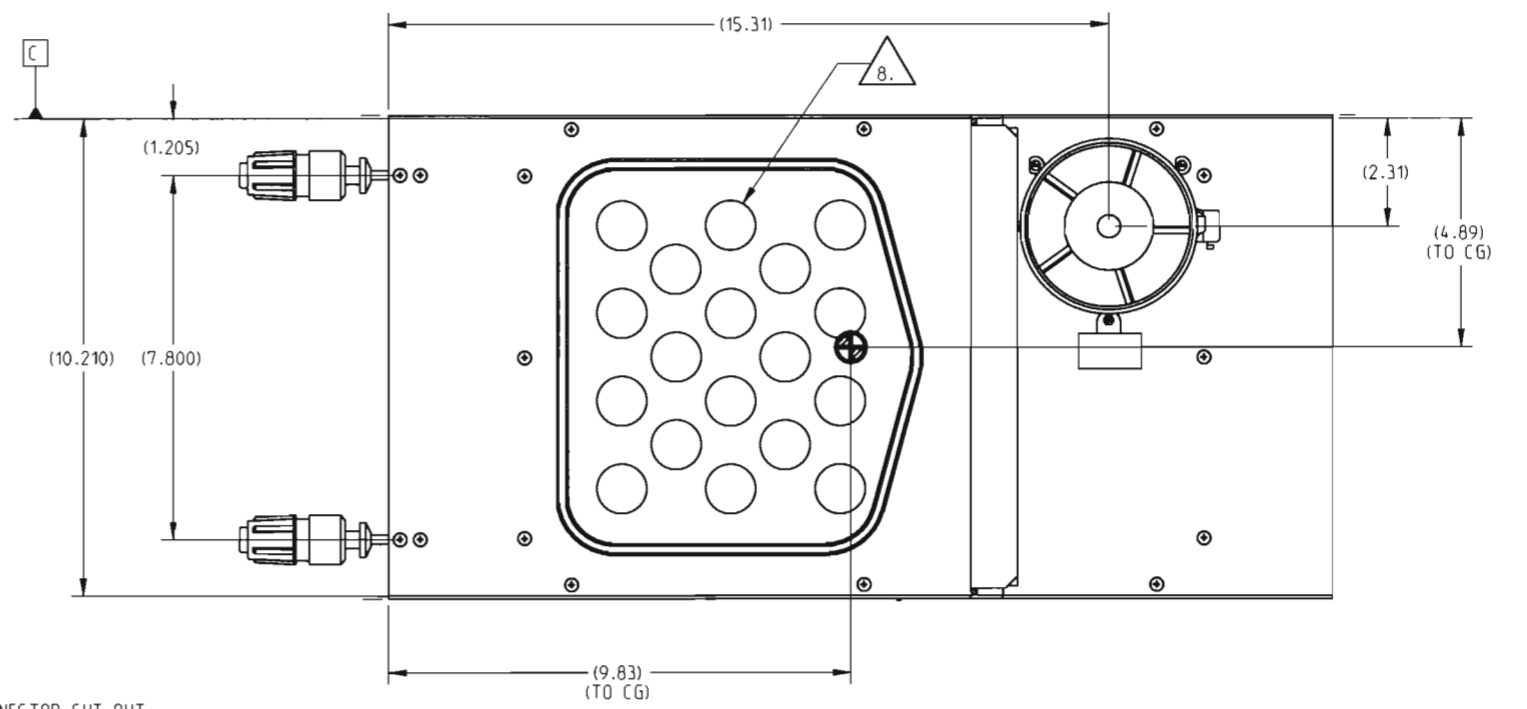
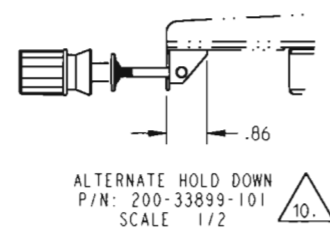
REVISION HISTORY						
ECN	SHT	ZONE	REV	DESCRIPTION	DATE	APPROVED
35294			N/C	RELEASED	3/2/09	C BELL
55730		NTS D6 B5	A	ADDED NOTE 10. ADDED ALT. HOLD DOWN VIEW ADDED ALTERNATE P/N TO NOTE	6/5/15	B Pappas

NOTES: UNLESS OTHERWISE SPECIFIED GENERAL NOTES:

- DIMENSIONS AND TOLERANCES PER ASME Y14.5M-1994.
- DESIGNED TO MEET THE APPLICABLE REQUIREMENTS OF THE FOLLOWING:
 - ARINC 600-15: 8 MCU
 - RTCA/DO-160E ENVIRONMENTAL TEST CONDITIONS:
 - TEMPERATURE: CAT A2
 - ALTITUDE: CAT A2
 - TEMP VARIATION: CAT B
 - HUMIDITY: CAT A
 - OPERATIONAL SHOCK: CAT B
 - CRASH SAFETY: SUSTAINED, TABLE 7-1, FIXED WING TRANSPORT A/C, RANDOM ORIENTATION
 - VIBRATION: CAT S, CURVE B2
- TRAY, PLENUM, AND CONNECTOR PLATE FINISH: CLEAR CHEM FILM PER MIL-DTL-5541, TYPE II, CLASS 3.
- MAXIMUM EXTENSION WHEN LRU IS SECURELY FASTENED TO TRAY ASSEMBLY.

INSTALLATION NOTES:

- FOR PRESSURIZED APPLICATION ONLY. NOT RECOMMENDED FOR INSTALLATION IN UNPRESSURIZED AREAS.
- ELECTRICAL SPECIFICATIONS (FAN):
 - 115V AC, 400 HZ, 1 PHASE
 - 0.60 AMPS (OPERATING)
 - 1.25 AMPS (LOCKED)
- RING TERMINAL P/N: PN22-2R-C (OR EQUIVALENT) SUPPLIED FOR AC CONNECTIONS.
- REMOVE METERING PLUGS AS REQUIRED PRIOR TO INSTALLING THE LRU.
- APPROXIMATE LOCATION OF CENTER OF GRAVITY (CG) ⊕.
- FOR ALTERNATE HOLD DOWN SEE DETAIL.



ECS PART NO: 6117-101

PRODUCT SPECIFICATION DRAWING

THIRD ANGLE PROJECTION		-	-	-	WEIGHTS	-	UNLESS OTHERWISE SPECIFIED, DIMENSIONS ARE IN INCHES.	CONTRACT NO.		ELECTRONIC CABLE SPECIALISTS FRANKLIN, WI 53132 PHONE: (414) 421-5300	
TOLERANCES ARE:		-	-	-	STRESS	-	FRACTIONS	DRAWN	L HECKEL	DATE	04-Dec-08
DECIMALS		-	-	-	C BELL	2/25/09	± .003	CHECKED	C BELL	DATE	2/25/09
ANGULAR		-	-	-	-	-	± .003	DESIGNED	C BELL	DATE	12/4/08
DO NOT SCALE DRAWING		-	-	-	PRODUCTION	-	-	PROJECT	C BELL	DATE	2/25/09
QTY REQ'D	FINAL NEXT DRAWING	PROJECT NO.	QUALITY ASSURANCE	DATE	SIMILAR TO	ACT WT	CALC WT	MANUFACTURING	DATE	SCALE	1/2
					ECS-202801	5.0 lbs	4.7 lbs	ENGINEERING	T. ANTCAK	DATE	2/25/09
CAD GENERATED DOCUMENT ANY CHANGES TO THIS DOCUMENT MUST BE SUBMITTED TO THE DESIGN/DRAFTING DEPARTMENT FOR PROPER UPDATE		APPLICATION		ADDITIONAL APPROVALS	DATE	ECS		SHEET		1 OF 1	