

**** EXPORT CONTROLLED DOCUMENT - EAR ****
 The information in this document is subject to the export controls in accordance with the export administration regulations. Diversion contrary to U.S. Law is prohibited.

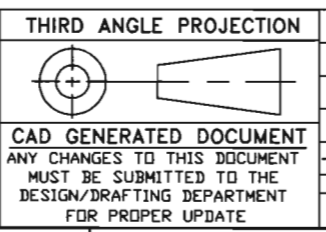
This print and associated documents and the contained information are the confidential property of ELECTRONIC CABLE SPECIALISTS. Disclosure of, and/or reproduction of, all or part thereof or manufacture of any part from information contained on this print not specifically permitted by ELECTRONIC CABLE SPECIALISTS in writing is forbidden.

REVISIONS						
ECN	SHT.	ZONE	REV.	BRIEF DESCRIPTION (SEE ECN FOR FULL DESCRIPTION)	DATE	APPROVED
			N/C	RELEASED		
			A	DN P/L ITEM 3 WAS S0164-101	DS 12/3/92	C ASSEF W SIEBERT
			B	SEE ECN 128, 194 & 756.	LJH 12/20/93	C ASSEF W SIEBERT
			C	SEE ECN 1088.	DS 2/22/94	C ASSEF W SIEBERT
			D	SEE ECN 1122.	LJH 3/3/94	C ASSEF W SIEBERT
3595 3636 3736			E	CHANGED ITEM 12 CHANGED ITEM 13 DEL ITEM 5,14 CHANGED 7,11,12,15 ADDED ITEM 17 DEL NOTES 4,5,6,8 CHGD 7 ADD 9-12	JZ	K RAIHALA
5328	1-3 1-3	P/L F/D D3/D4	F	CHNG'D QTY OF ITEM 17 ASSY -101 THRU ADDED SCREWS -103 WAS 8	MJB 7/29/99	J SHAW
9824	1	B8	G	ADDED NOTE 13	JTS 6/27/00	L HECKEL
35362	1-3 1	F/D BOM	H	ROTATED FAN ADDED ITEM 18.	LJH 1/9/09	C BELL
47773	1-3	F/D	J	ADDED WIRING SCHEMATIC.	LJH 9/26/12	G SIEBERT

QTY REQ'D	QTY REQ'D	QTY REQ'D	QTY REQ'D	COMPONENTS PART NO. OR IDENTIFYING NO.	NOMENCLATURE OR DESCRIPTION	MATERIAL/SPECIFICATION	CAGE CODE	ITEM NO.
				SPT-1/4	TUBING, SPIRAL WRAP, 1/4 IN			18
				MS24693-C24	SCREW, FLAT HEAD	<.138-32 X .25 LONG>		17
				MS24693-C25	SCREW, FLAT HEAD	<.138-32 X .31 LONG>		16
				DOW CORNING RTV-3145	SEALANT, ADHESIVE, CLEAR	<(SILICONE RUBBER)>	71984	15
				-DELETED-				14
				MS51957-26	SCREW, PAN HEAD	<.138-32 X .25 LONG>		13
				MS24693-C26	SCREW, FLAT HEAD	<.138-32 X .38 LONG>		12
				10736-01	PLUG BUMPER	<(RUBBER)>		11
				10016-108	DEFM. SEAL, 8 MCU	<(SILICONE RUBBER)>		10
				S0076-105	HOLD DOWN, FRONT THUMBSCREW			9
				10344-101	HOLD DOWN, FRONT INSERTION/EXTRACTION			8
				S0085-106	FAN ASSEMBLY, AC			7
				S0105-101	COVER ASSEMBLY, PLENUM	<(AL ALLOY 6061)>		6
				-DELETED-				5
				10035CC-01	METERING PLATE 8 MCU	<.040 AL ALLOY 5052 DR 6061>		4
				S0164-108	PLENUM ASSY, 8 MCU	<.040 AL ALLOY 6061>		3
				10018CC-110	CONNECTOR PLATE ASSY, 8 MCU	<.063 AL ALLOY 6061>		2
				S0082CC-108	TRAY WELDING ASSY, 8 MCU	<.063 AL ALLOY 6061>		1

- 13. IDENTIFY WITH ECS P/N AND LOT#, PER EP210.
- 12. MAXIMUM EXTENSION WHEN LRU IS SECURELY FASTENED TO TRAY ASSEMBLY.
- 11. ALTERNATE PART NO. DOW CORNING P/N RTV-732CLR.
- 10. REMOVE ALL (18) PLUGS FROM TRAY AT TIME OF INSTALLATION.
- 9. UNIVERSAL CONNECTOR CUT-OUT FOR ARINC 600; SIZE 1, 2 OR 3.
- 8. -DELETED-
- 7. DESIGNED TO MEET THE APPLICABLE REQUIREMENTS OF THE FOLLOWING:
 - 1. ARINC 600-9;
 - 2. RTCA/DO-160C ENV. CAT. A1-BABXXXXXXXXXXXXXXXXXX
- 6. -DELETED-
- 5. -DELETED-
- 4. -DELETED-
- 3. APPLY (15) AROUND SCREW HOLES & CONTACT SURFACES AT ASSEMBLY TO PROVIDE A SEAL BETWEEN (1) / (6) & (3).
- 2. FINISH: (CLEAR CHEM FILM PER MIL-C-5541, CLASS 3).

NOTES: UNLESS OTHERWISE SPECIFIED



CAD GENERATED DOCUMENT			
ANY CHANGES TO THIS DOCUMENT MUST BE SUBMITTED TO THE DESIGN/DRAFTING DEPARTMENT FOR PROPER UPDATE			
COMP/ISSY PART NO	REV	NEXT/FINAL DRG	USED ON
-101 THRU -103	1	FINAL	
APPLICATION			

WEIGHTS	UNLESS OTHERWISE SPECIFIED DIMENSIONS ARE IN INCHES FRACTIONS ARE ANGULAR & T
STRESS	DETAILS SEE ALSO JOB ALSO DO NOT SCALE DRAWING
PRODUCTION	
QUALITY ASSURANCE	
ADDITIONAL APPROVALS	

CONTRACT NO.	DATE
DRAWN BY J SWITALSKI	11/25/92
CHECKED BY C ASSEF	11/25/92
DESIGNED BY C ASSEF	11/25/92
PROJECT ENGR B KOJIS	11/25/92
DATE	
DATE	
DATE	

ELECTRONIC CABLE SPECIALISTS
 FRANKLIN, WI 53132
 PHONE: (414) 421-5300

TRAY ASSEMBLY, 8 MCU S/S W/ RIGHT SIDE FAN MOUNT

SCALE 1/2 EFFECTIVITY SHEET 1 OF 3

8

7

6

5

4

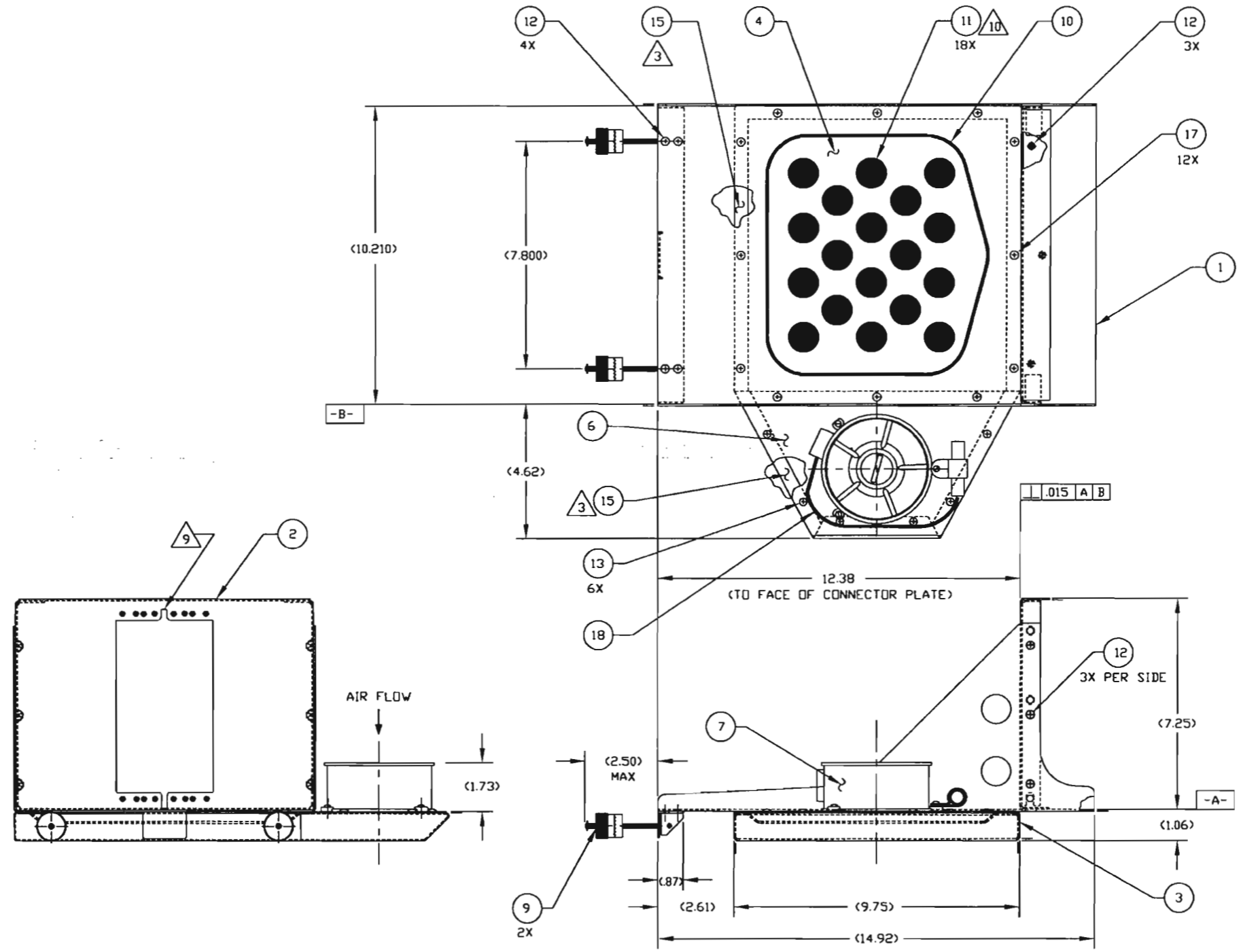
3

DWG NO. 6101		SH 2	REV. JT	1	
REVISIONS					
ZONE	REV.	DESCRIPTION		DATE	APPROVED
H		SEE SHEET 1			

This print and associated documents and the contained information are the confidential property of ELECTRONIC CABLE SPECIALISTS. Disclosure of, and/or reproduction of, all or part thereof or manufacture of any part from information contained on this print not specifically permitted by ELECTRONIC CABLE SPECIALISTS in writing is forbidden.

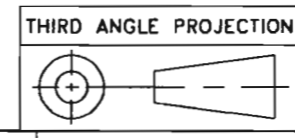
D
C
B
A

D
C
B
A



-102 ASSEMBLY

NOTES: SEE SHEET 1



CAD GENERATED DOCUMENT
ANY CHANGES TO THIS DOCUMENT MUST BE SUBMITTED TO THE DESIGN/DRAFTING DEPARTMENT FOR PROPER UPDATE

ELECTRONIC CABLE SPECIALISTS FRANKLIN, WI 53132 PHONE: (414) 421-5300		DATE	CHG CODE	LEVEL	DWG NO.
		D	66197	C/A	6101
SCALE	SHEET		2 OF 3		
1/2					

8

7

6

5

4

3

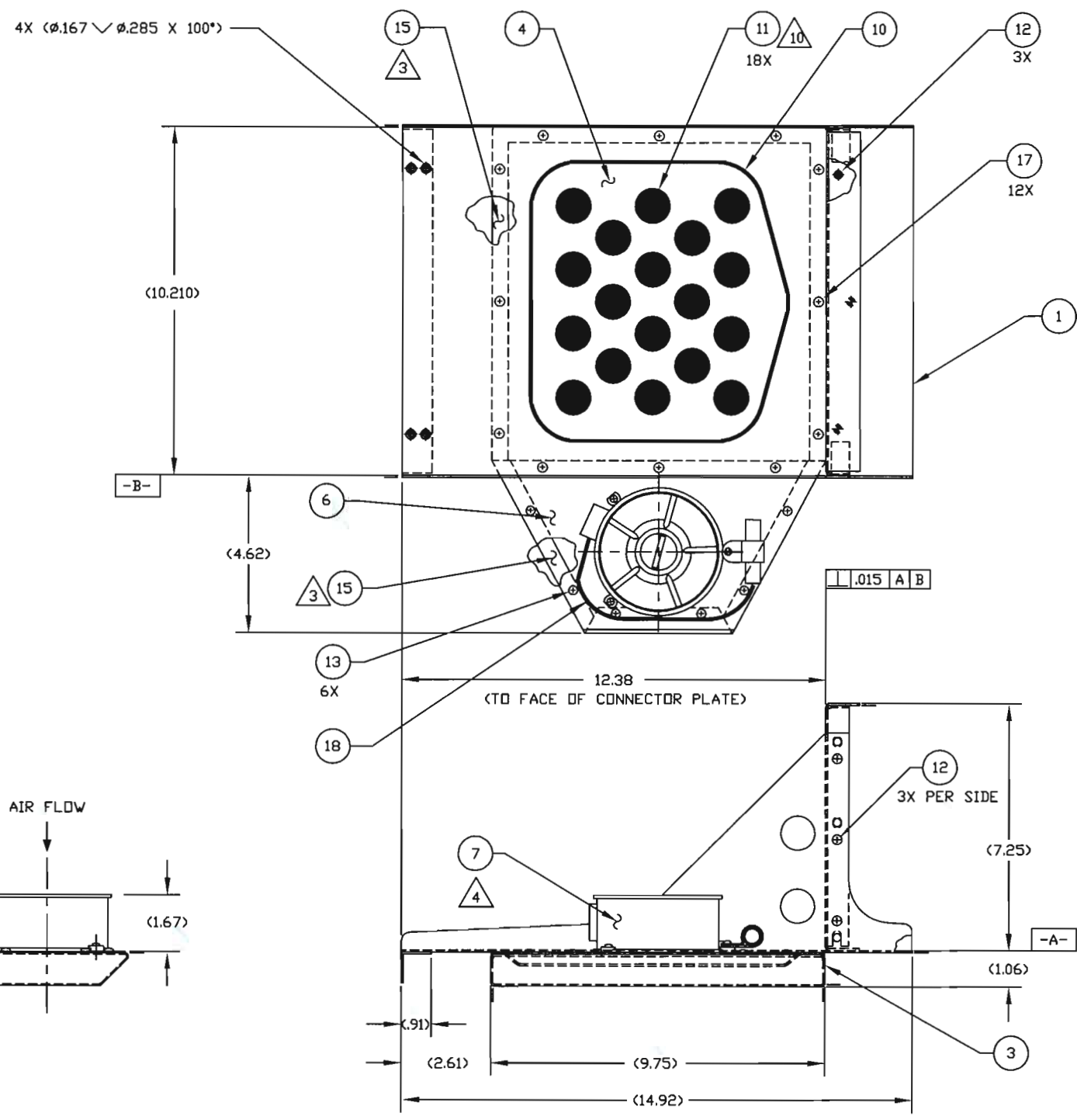
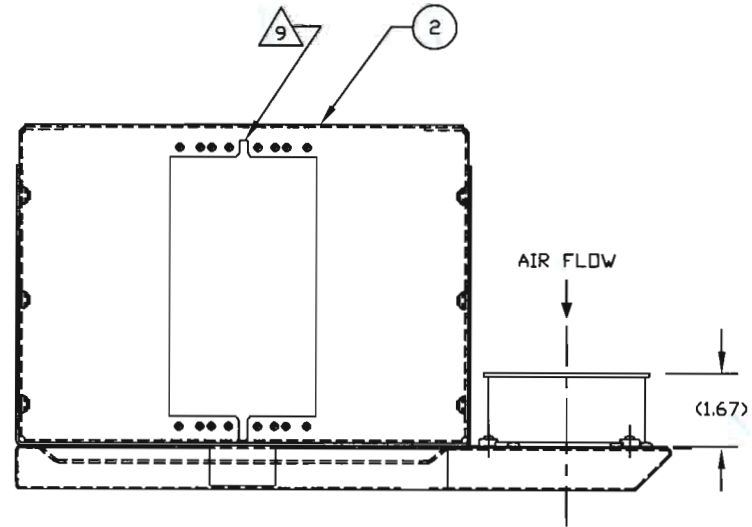
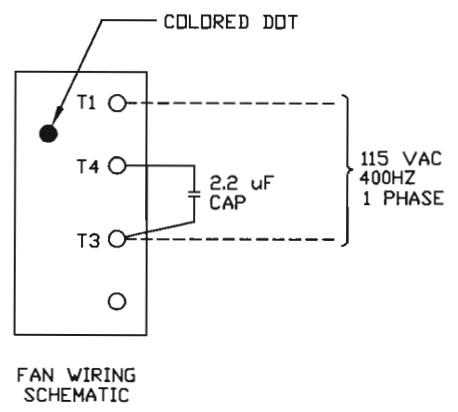
2

1

This print and associated documents and the contained information are the confidential property of ELECTRONIC CABLE SPECIALISTS. Disclosure of, and/or reproduction of, all or part thereof or manufacture of any part from information contained on this print not specifically permitted by ELECTRONIC CABLE SPECIALISTS in writing is forbidden.

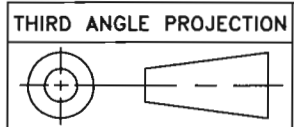
**** EAR CONTROLLED ****

DWG NO.	6101	SH	3	REV.	J	1
REVISIONS						
ZONE	REV.	DESCRIPTION	DATE	APPROVED		
J		SEE SHEET 1				



(-103) ASSEMBLY

NOTES: SEE SHEET 1



CAD GENERATED DOCUMENT
ANY CHANGES TO THIS DOCUMENT
MUST BE SUBMITTED TO THE
DESIGN/DRAFTING DEPARTMENT
FOR PROPER UPDATE

ELECTRONIC CABLE SPECIALISTS FRANKLIN, WI 53132 PHONE: (414) 421-5300			
SIZE	CAGE CODE	LEVEL	DWG NO.
D	66197	C/A	6101
SCALE	SHEET		3 OF 3
1/2			