

This print and associated documents and the contained information are the confidential property of ELECTRONIC CABLE SPECIALISTS. Disclosure of, and/or reproduction of, all or part thereof or manufacture of any part from information contained on this print not specifically permitted by ELECTRONIC CABLE SPECIALISTS in writing is forbidden.

ECN	SHT	ZONE	REV.	DESCRIPTION	DATE	APPROVED
			N/C	RELEASED		
			A	SEE ECN 128 & 238	DS 8/19/93	C ASSEF V SIEBERT
			B	SEE ECN 820.	LJH 2/24/94	C ASSEF V SIEBERT
9824	1	A8	C	ADDED NOTE 7	JTS 4/3/00	<i>[Signature]</i>

D

D

C

C

B

B

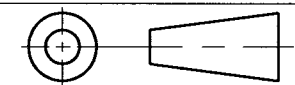
A

A

- 7. IDENTIFY WITH ECS P/N AND LOT#, PER EP210.
- 6. ALTERNATE PART NO: ECS P/N S0076-101.
- 5. MEETS OR EXCEEDS THE REQUIREMENTS OF RTCA/D0-160C AND FAR 25-561.
- 4. MEETS OR EXCEEDS ARINC 600 SPECIFICATIONS.
- 3. ALTERNATE PART NO: RAM CA12145-102.
- 2. FINISH: (CLEAR CHEM FILM PER MIL-C-5541, CLASS 3.)

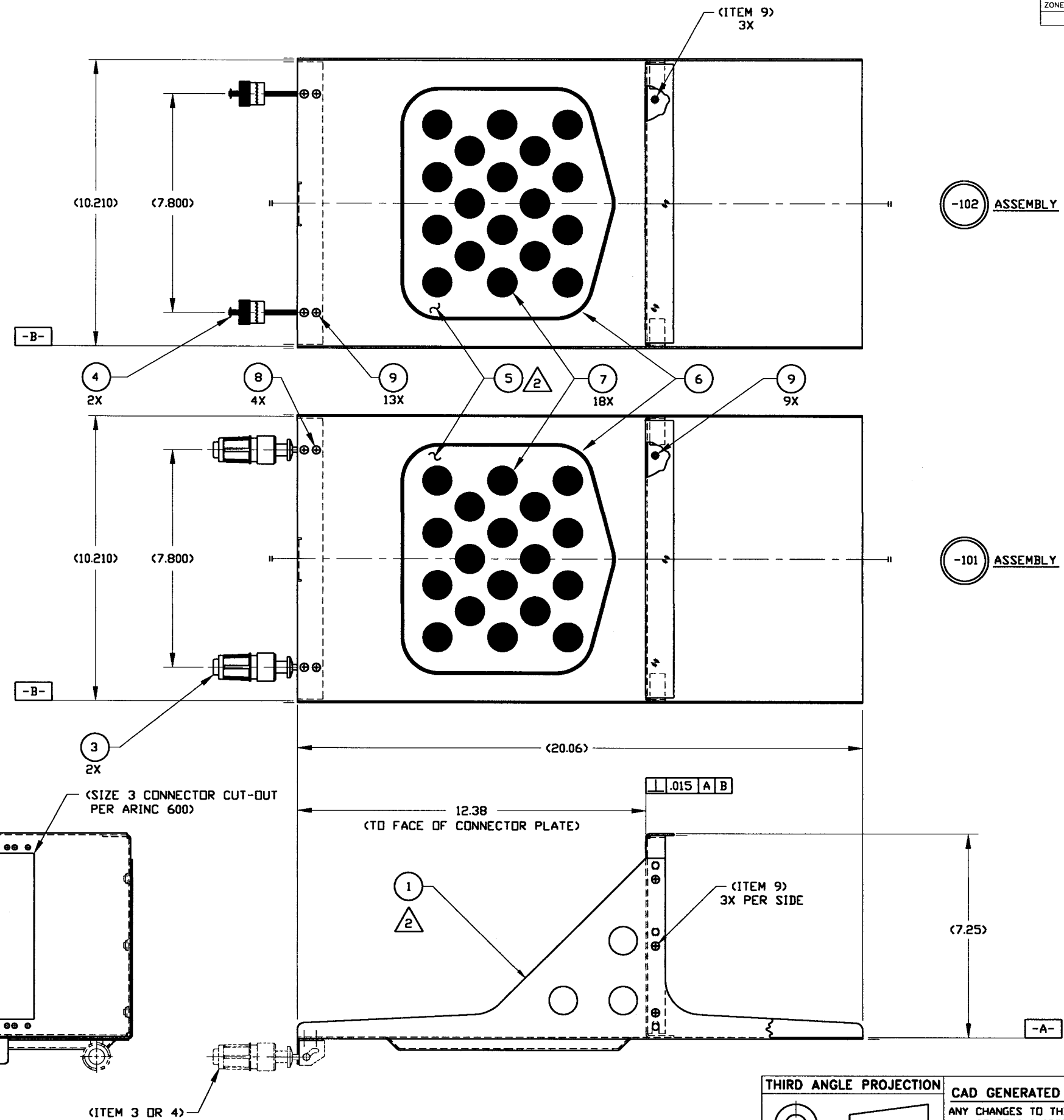
NOTES: UNLESS OTHERWISE SPECIFIED

QTY REQ'D	QTY REC'D	QTY REQ'D	QTY REC'D	COMPONENTS PART NO. OR IDENTIFYING NO.	NOMENCLATURE OR DESCRIPTION	MATERIAL/SPECIFICATION	CAGE CODE	ITEM NO.
9	13	9		MS24693-C26	SCREW, FLAT HEAD	(#6-32 X .38 LONG)		9
—	—	4		MS24693-C25	SCREW, FLAT HEAD	(#6-32 X .31 LONG)		8
18	18	18		LAVELLE P/N 40-8PB	PLUG BUMPER	(RUBBER)	98893	7
1	1	1		10016-108	DEFORMATION SEAL ASSY, 8 MCU	(SILICONE RUBBER)		6
1	1	1		10035CC-01	METERING PLATE, 8 MCU	(.040 AL ALLOY 5052 DR 6061)		5
2	—	2		S0076-105	HOLD DOWN ASSY, THUMBSCREW			4
3	—	2		10344-101	HOLD DOWN ASSY, INSERTION/EXTRACTION			3
2	1	1		10018CC-110	CONNECTOR PLATE ASSY, 8 MCU	(.063 AL ALLOY 6061)		2
2	1	1		S0079CC-128	TRAY WELDING ASSY, 8 MCU	(.063 AL ALLOY 6061)		1

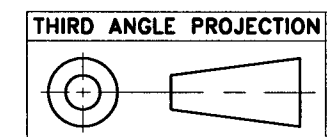
THIRD ANGLE PROJECTION 		WEIGHTS STRESS PRODUCTION QUALITY ASSURANCE ADDITIONAL APPROVALS DATE		UNLESS OTHERWISE SPECIFIED DIMENSIONS ARE IN INCHES TOLERANCES ARE: FRACTIONS ± .005 DECIMALS .XX ± .03 ANGULAR ± 1° DO NOT SCALE DRAWING		CONTRACT NO. DRAWN D CIESIELCZYK DATE 10/6/92 CHECKED C ASSEF DATE 10/6/92 DESIGNED C ASSEF DATE 10/6/92 PROJECT B KOJIS DATE 10/6/92 MANUFACTURING DATE ENGINEERING F A WHITSON DATE 10/6/92		ELECTRONIC CABLE SPECIALISTS FRANKLIN, WI 53132 PHONE: (414) 421-5300	
CAD GENERATED DOCUMENT ANY CHANGES TO THIS DOCUMENT MUST BE SUBMITTED TO THE DESIGN/DRAFTING DEPARTMENT FOR PROPER UPDATE		-101 THRU -103 — FINAL		TREATMENT FINISH SIMILAR TO ACT. WT		TITLE TRAY ASSY, 8 MCU SHORT/LONG		SIZE D 66197 C/A 6096 SCALE 1/2 EFFECTIVITY SHEET 1 OF 3	

This print and associated documents and the contained information are the confidential property of ELECTRONIC CABLE SPECIALISTS. Disclosure of, and/or reproduction of, all or part thereof or manufacture of any part from information contained on this print not specifically permitted by ELECTRONIC CABLE SPECIALISTS in writing is forbidden.

DWG NO.	6096	SH	2	REV.	C	1
REVISIONS						
ZONE	REV.	DESCRIPTION	DATE	APPROVED		
C	SEE SHEET 1					



NOTES: SEE SHEET 1



CAD GENERATED DOCUMENT
 ANY CHANGES TO THIS DOCUMENT
 MUST BE SUBMITTED TO THE
 DESIGN/DRAFTING DEPARTMENT
 FOR PROPER UPDATE

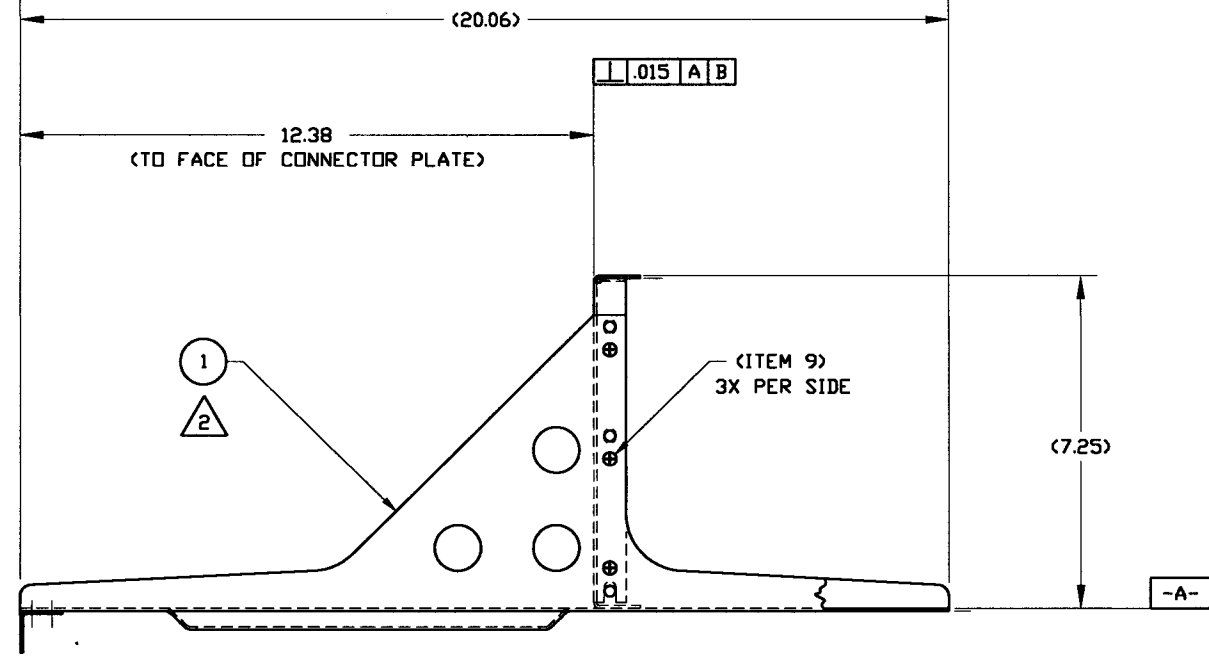
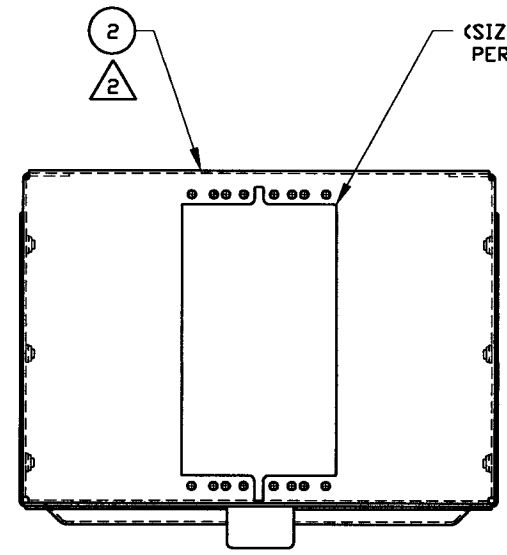
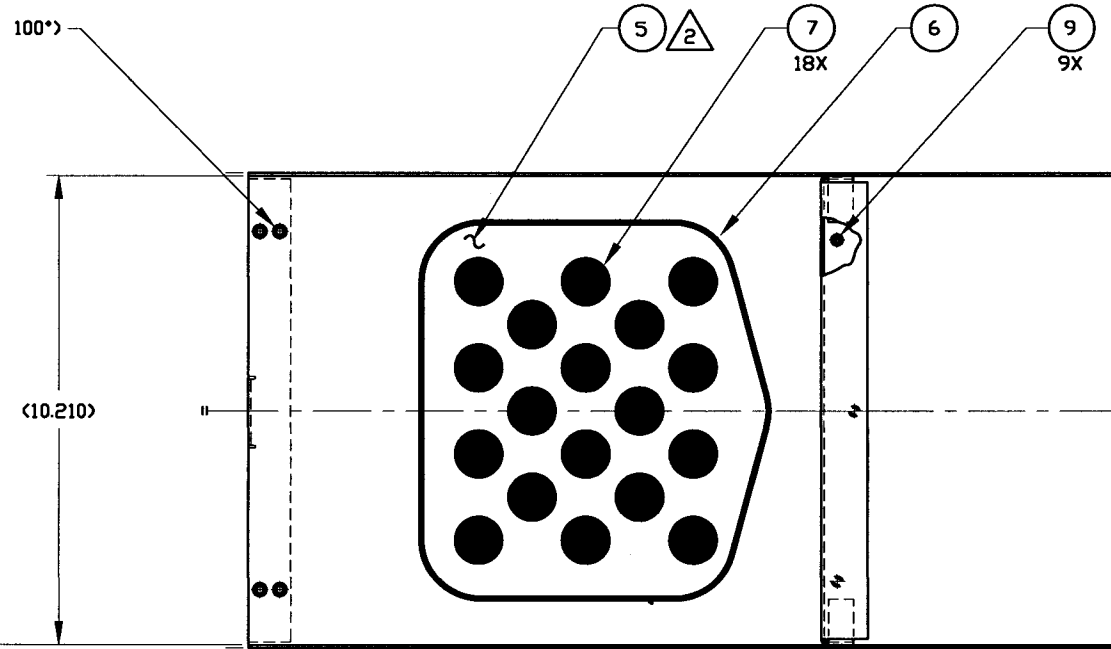
ELECTRONIC CABLE SPECIALISTS
 FRANKLIN, WI 53132
 PHONE: (414) 421-5300

SIZE	D 66197	LEVEL	C/A	DWG NO.	6096
SCALE	1/2	SHEET	2	OF	3

DWG NO.	6096	SH	3	REV.	C	1
REVISIONS						
ZONE	REV.	DESCRIPTION	DATE	APPROVED		
C	SEE SHEET 1					

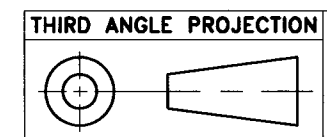
This print and associated documents and the contained information are the confidential property of ELECTRONIC CABLE SPECIALISTS. Disclosure of, and/or reproduction of, all or part thereof or manufacture of any part from information contained on this print not specifically permitted by ELECTRONIC CABLE SPECIALISTS in writing is forbidden.

4X (Ø.167, √Ø.285 X 100*)



-103 ASSEMBLY

NOTES: SEE SHEET 1



CAD GENERATED DOCUMENT
 ANY CHANGES TO THIS DOCUMENT
 MUST BE SUBMITTED TO THE
 DESIGN/DRAFTING DEPARTMENT
 FOR PROPER UPDATE

ELECTRONIC CABLE SPECIALISTS FRANKLIN, WI 53132 PHONE: (414) 421-5300	
SIZE	D 66197 C/A
LEVEL	6096
SCALE	1/2
SHEET	3 OF 3