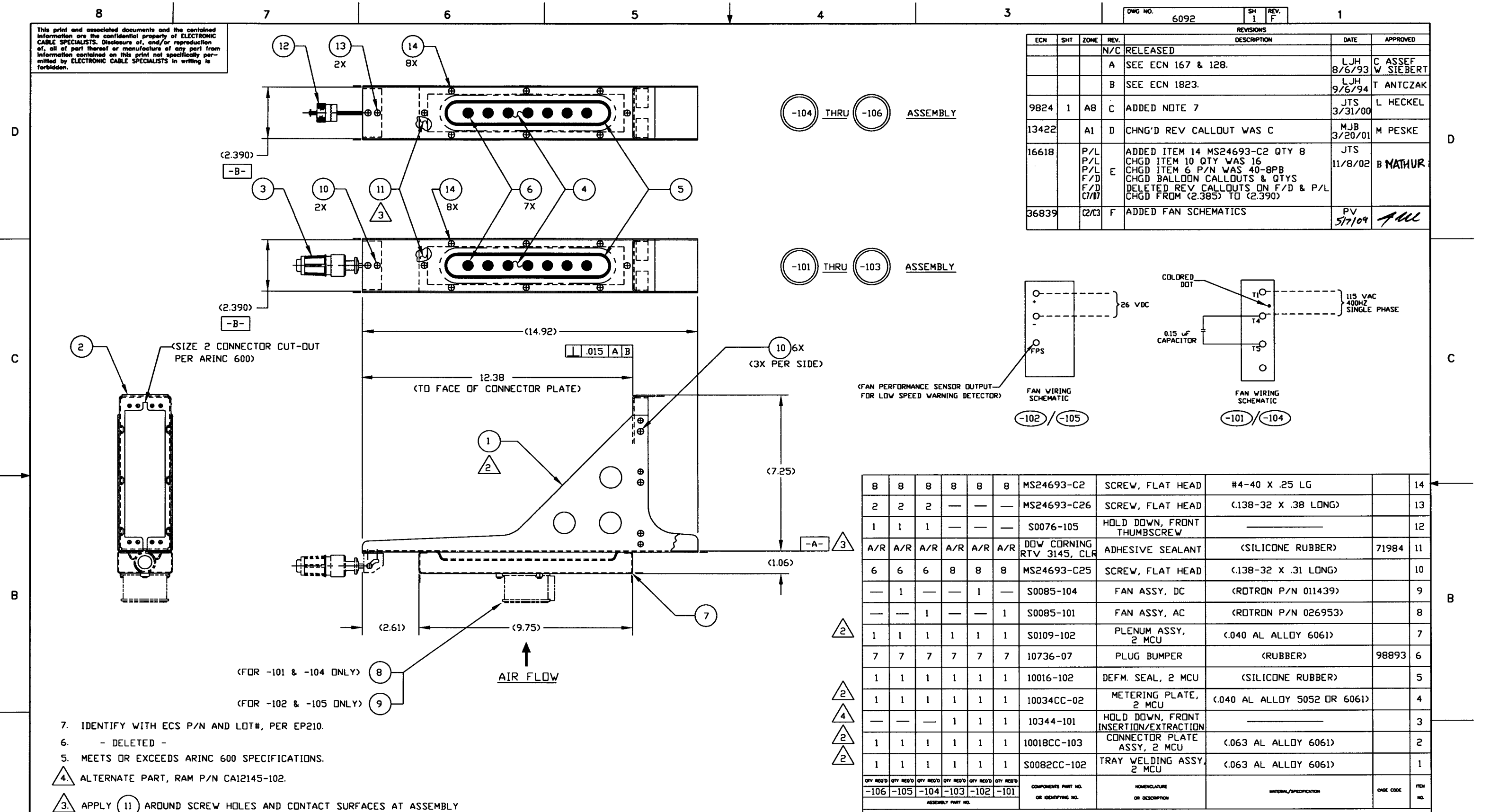


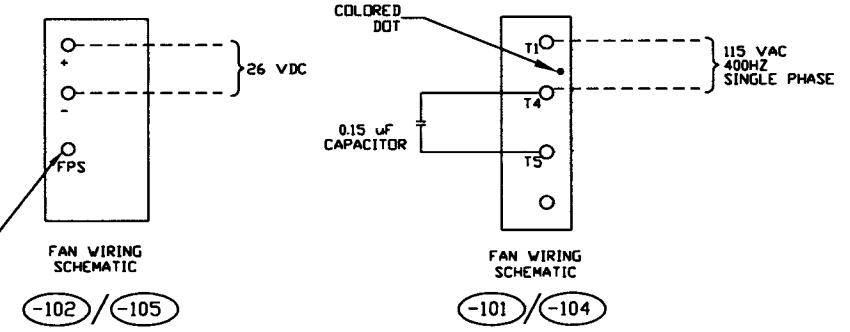
This print and associated documents and the contained information are the confidential property of ELECTRONIC CABLE SPECIALISTS. Disclosure of, and/or reproduction of, all or part thereof or manufacture of any part from information contained on this print not specifically permitted by ELECTRONIC CABLE SPECIALISTS in writing is forbidden.

REVISIONS						
ECN	SHT	ZONE	REV.	DESCRIPTION	DATE	APPROVED
			N/C	RELEASED		
			A	SEE ECN 167 & 128.	LJH 8/6/93	C ASSEF W SIEBERT
			B	SEE ECN 1823.	LJH 9/6/94	T ANTZAK
9824	1	A8	C	ADDED NOTE 7	JTS 3/31/00	L HECKEL
13422		A1	D	CHNG'D REV CALLOUT WAS C	MJB 3/20/01	M PESKE
16618		P/L P/L P/L F/D F/D C7/07	E	ADDED ITEM 14 MS24693-C2 QTY 8 CHGD ITEM 10 QTY WAS 16 CHGD ITEM 6 P/N WAS 40-8PB CHGD BALLOON CALLOUTS & QTYS DELETED REV CALLOUTS ON F/D & P/L CHGD FROM (2.385) TO (2.390)	JTS 11/8/02	B NATHUR
36839		C2/C3	F	ADDED FAN SCHEMATICS	PV 5/7/09	ALL



(-104) THRU (-106) ASSEMBLY

(-101) THRU (-103) ASSEMBLY



QTY REQ'D	QTY REQ'D	QTY REQ'D	QTY REQ'D	QTY REQ'D	QTY REQ'D	QTY REQ'D	COMPONENTS PART NO. OR IDENTIFYING NO.	NOMENCLATURE OR DESCRIPTION	MATERIAL/SPECIFICATION	QTY	ITEM NO.
8	8	8	8	8	8	8	MS24693-C2	SCREW, FLAT HEAD	#4-40 X .25 LG	14	
2	2	2	-	-	-	-	MS24693-C26	SCREW, FLAT HEAD	(.138-32 X .38 LONG)	13	
1	1	1	-	-	-	-	S0076-105	HOLD DOWN, FRONT THUMBSCREW		12	
A/R	A/R	A/R	A/R	A/R	A/R	A/R	DOW CORNING RTV 3145, CLR	ADHESIVE SEALANT	(SILICONE RUBBER)	71984	11
6	6	6	8	8	8	8	MS24693-C25	SCREW, FLAT HEAD	(.138-32 X .31 LONG)	10	
-	1	-	-	1	-	-	S0085-104	FAN ASSY, DC	(ROTRON P/N 011439)	9	
-	-	1	-	-	1	-	S0085-101	FAN ASSY, AC	(ROTRON P/N 026953)	8	
1	1	1	1	1	1	1	S0109-102	PLENUM ASSY, 2 MCU	(.040 AL ALLOY 6061)	7	
7	7	7	7	7	7	7	10736-07	PLUG BUMPER	(RUBBER)	98893	6
1	1	1	1	1	1	1	10016-102	DEFM. SEAL, 2 MCU	(SILICONE RUBBER)	5	
1	1	1	1	1	1	1	10034CC-02	METERING PLATE, 2 MCU	(.040 AL ALLOY 5052 OR 6061)	4	
-	-	-	1	1	1	1	10344-101	HOLD DOWN, FRONT INSERTION/EXTRACTION		3	
1	1	1	1	1	1	1	10018CC-103	CONNECTOR PLATE ASSY, 2 MCU	(.063 AL ALLOY 6061)	2	
1	1	1	1	1	1	1	S0082CC-102	TRAY WELDING ASSY, 2 MCU	(.063 AL ALLOY 6061)	1	
-106	-105	-104	-103	-102	-101						

- 7. IDENTIFY WITH ECS P/N AND LOT#, PER EP210.
- 6. - DELETED -
- 5. MEETS OR EXCEEDS ARINC 600 SPECIFICATIONS.
- 4. ALTERNATE PART, RAM P/N CA12145-102.
- 3. APPLY (11) AROUND SCREW HOLES AND CONTACT SURFACES AT ASSEMBLY TO PROVIDE A SEAL BETWEEN (1) & (7).
- 2. FINISH: (CLEAR CHEM FILM PER MIL-C-5541, CLASS 3.)

NOTES: UNLESS OTHERWISE SPECIFIED
1. DIMENSIONS AND TOLERANCES PER ANSI Y14.5M-1982.

THIRD ANGLE PROJECTION

CAD GENERATED DOCUMENT
ANY CHANGES TO THIS DOCUMENT MUST BE SUBMITTED TO THE DESIGN/DRAFTING DEPARTMENT FOR PROPER UPDATE

REV	DATE	DESCRIPTION
-104 THRU -106	1	FINAL
-101 THRU -103	1	FINAL

NO.	DATE	DESCRIPTION
1	9/14/92	DESIGNED BY D SWITALSKI
2	10/9/92	CHECKED BY C ASSEF
3	10/9/92	DESIGNED BY C ASSEF
4	10/9/92	PROJECT ENGR B KOJIS
5	10/9/92	MFG ENGR
6	10/9/92	ENGR MGR F WHITSON

ELECTRONIC CABLE SPECIALISTS
FRANKLIN, WI 53132
PHONE: (414) 421-5300

TITLE
TRAY ASSY, 2 MCU S/S W/ & W/O BOTTOM FAN

SCALE 1/2

DWG NO. 6092

SHEET 1 of 1