

8

7

6

5

4

3

DWG NO. 6083-102 SH 1 REV. K

This print and associated documents and the contained information are the confidential property of ELECTRONIC CABLE SPECIALISTS. Disclosure of, and/or reproduction of, all or part thereof or manufacture of any part from information contained on this print not specifically permitted by ELECTRONIC CABLE SPECIALISTS in writing is forbidden.

ECN	SHT	ZONE	REV.	DESCRIPTION	DATE	APPROVED
10412			K	RELEASE FOR FULL PRODUCTION	JTS 12/9/99	<i>[Signature]</i>

D

D

C

C

B

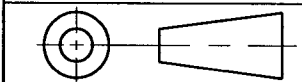
B

A

A

- 7. IDENTIFY WITH ECS P/N AND LOT # PER EP 210.
- 6. ALTERNATE PART No. DOW CORNING P/N RTV-732CLR.
- 5. UNIVERSAL CONNECTOR CUT-OUT PER ARINC 600; SIZE 1, 2, OR 3.
- 4. MAXIMUM EXTENSION WHEN LRU IS SECURELY FASTENED TO TRAY ASSEMBLY.
- 3. APPLY (B) AROUND SCREW HOLES & CONTACT SURFACES AT ASSEMBLY TO PROVIDE A SEAL BETWEEN (9)/(3).
- 2. FINISH: (CLEAR CHEM FILM PER MIL-C-5541, CLASS 3.)
- 1. DIMENSIONS AND TOLERANCES PER ANSI Y14.5M-1982.

THIRD ANGLE PROJECTION



CAD GENERATED DOCUMENT
ANY CHANGES TO THIS DOCUMENT MUST BE SUBMITTED TO THE DESIGN/DRAFTING DEPARTMENT FOR PROPER UPDATE

WEIGHTS	STRESS	PRODUCTION	QUALITY ASSURANCE	ADDITIONAL APPROVALS	DATE
-102	1	FINAL			
PART/ASSY DASH NO.	QTY REQD PER ASSY	NEXT/FINAL ASSY	PROJECT NO.	APPLICATION	

8	MS24693-C24	SCREW, FLAT HEAD	(.138-32 X .25 LONG)		12
8	MS24693-C26	SCREW, FLAT HEAD	(.138-32 X .38 LONG)		11
1	S0085-101	FAN ASSY, AC			10
1	S0077CC-204	TRAY ASSY, 4 MCU REAR FAN MOUNTING	(.063 AL ALLOY 6061)		9
A/R	DOW CORNING RTV-3145	SEALANT, ADHESIVE, CLEAR	(SILICONE RUBBER)	71984	8
4	MS24693-C25	SCREW, FLAT HEAD	(.138-32 X .31 LONG)		7
10	10736-01	PLUG BUMPER	(RUBBER)		6
1	10016-104	DEFORMATION SEAL ASSY, 4 MCU	(SILICONE RUBBER)		5
1	10025CC-01	METERING PLATE, 4 MCU	(.040 AL ALLOY 5052 OR 6061)		4
1	S0067CC-104	PLENUM ASSY, 4 MCU	(.040 AL ALLOY 6061)		3
2	10344-101	HOLD DOWN ASSY, INSERTION/EXTRACTION			2
1	10018CC-106	CONNECTOR PLATE ASSY, 4 MCU	(.063 AL ALLOY 6061)		1
QTY REQ'D	COMPONENTS PART NO. OR IDENTIFYING NO.	NOMENCLATURE OR DESCRIPTION	MATERIAL/SPECIFICATION	CAGE CODE	ITEM NO.

PART LIST

CONTRACT NO.	DATE	DATE	DATE
DRWN BY: J. SHAW	12/8/99	DATE	DATE
CHKD BY: <i>[Signature]</i>	12/9/99	DATE	DATE
DESIGNED BY:		DATE	
PROJECT ENGR:		DATE	
MFG ENGR:		DATE	

ELECTRONIC CABLE SPECIALISTS
FRANKLIN, WI 53132
PHONE: (414) 421-5300

TRAY ASSY, 4 MCU S/L WITH REAR FAN

SIZE: D 66197 C/A
SCALE: 1/2
DWC NO.: 6083-102
SHEET: 1 OF 2

NOTES: UNLESS OTHERWISE SPECIFIED

8

7

6

5

4

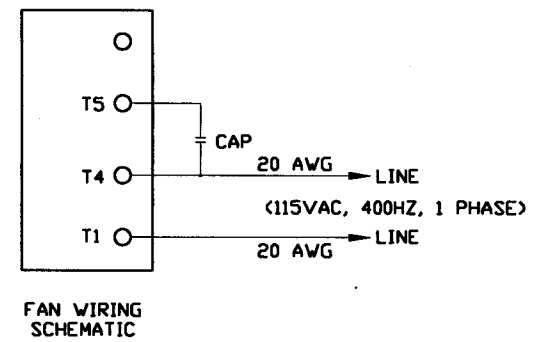
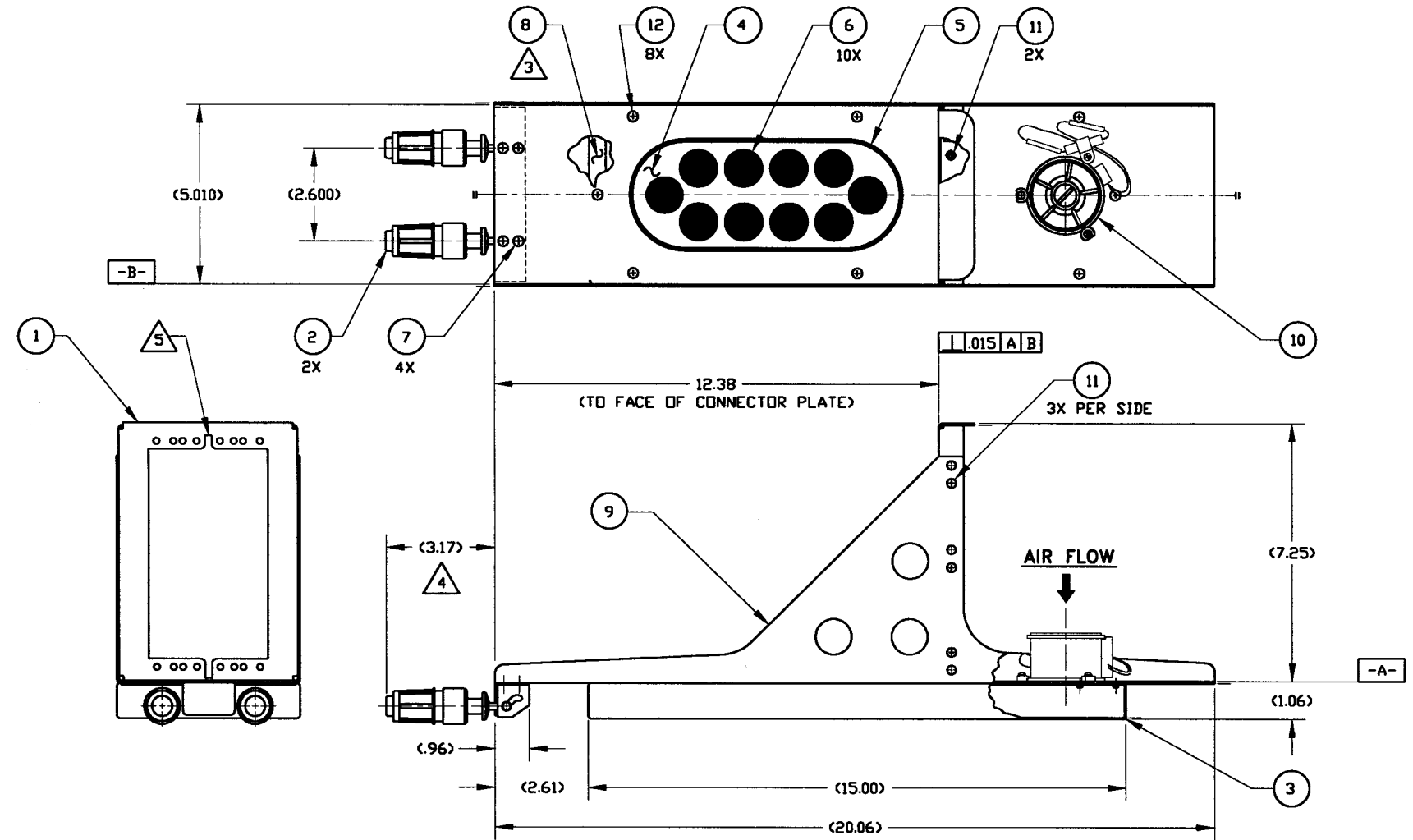
3

2

1

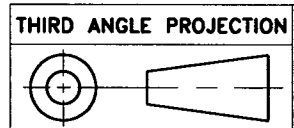
This print and associated documents and the contained information are the confidential property of ELECTRONIC CABLE SPECIALISTS. Disclosure of, and/or reproduction of, all or part thereof or manufacture of any part from information contained on this print not specifically permitted by ELECTRONIC CABLE SPECIALISTS in writing is forbidden.

DWG NO.	6083-102	SH	2	REV.	K	1
REVISIONS						
ZONE	REV.	DESCRIPTION	DATE	APPROVED		
K	SEE SHEET 1					



(-102) ASSEMBLY

NOTES: SEE SHEET 1



CAD GENERATED DOCUMENT
 ANY CHANGES TO THIS DOCUMENT
 MUST BE SUBMITTED TO THE
 DESIGN/DRAFTING DEPARTMENT
 FOR PROPER UPDATE

ELECTRONIC CABLE SPECIALISTS
 FRANKLIN, WI 53132
 PHONE: (414) 421-5300

SIZE	D	CAGE CODE	66197	LEVEL	C/A	DWG NO.	6083-102
SCALE	1/2	SHEET		2 OF 2			