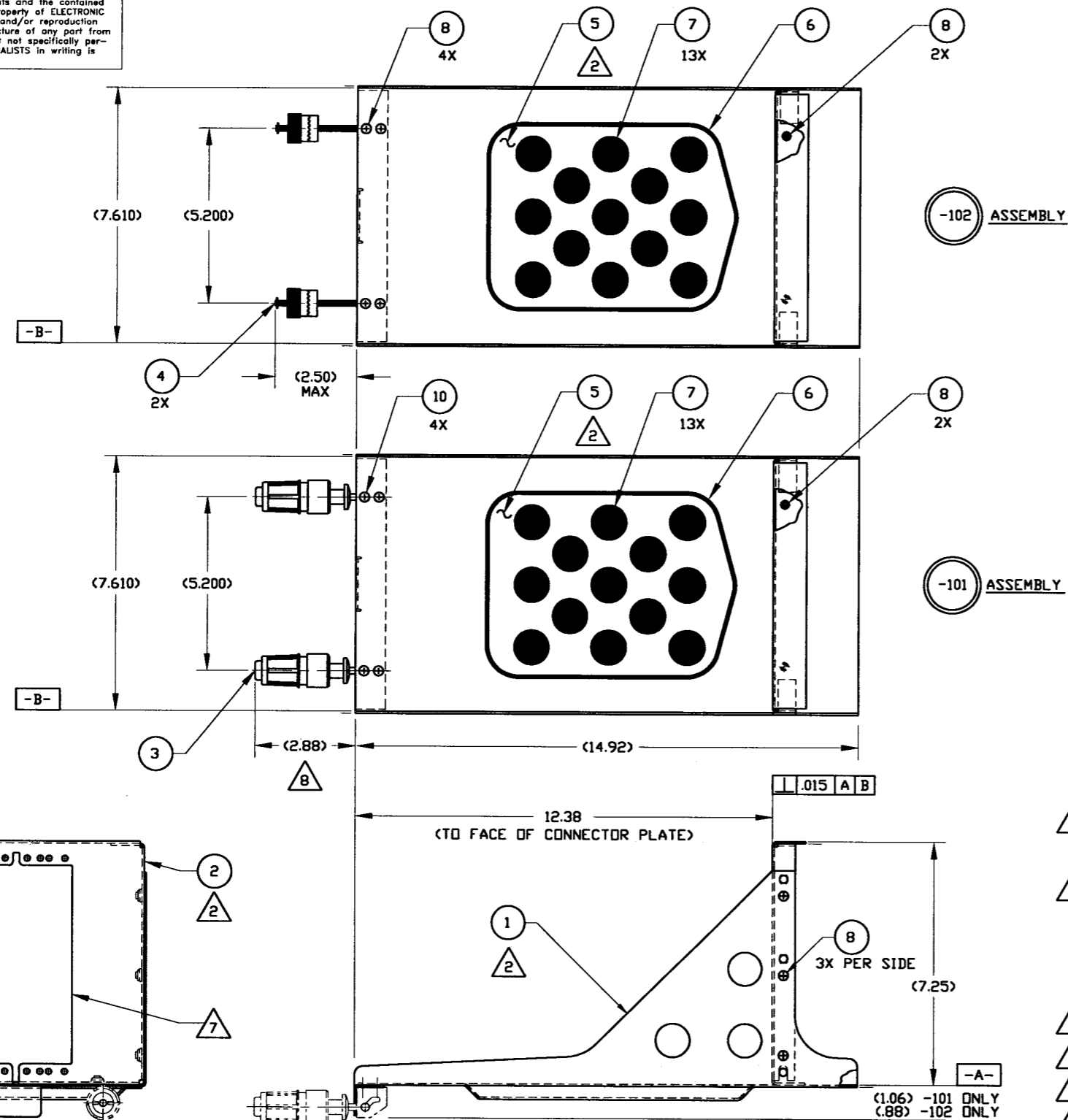


This print and associated documents and the contained information are the confidential property of ELECTRONIC CABLE SPECIALISTS. Disclosure of, and/or reproduction of, all or part thereof or manufacture of any part from information contained on this print not specifically permitted by ELECTRONIC CABLE SPECIALISTS in writing is forbidden.



REVISIONS						
ECN	SHT	ZONE	REV.	DESCRIPTION	DATE	APPROVED
			N/C	RELEASED		
			A	DN P/L: ITEM 8 P/N WAS MS24693-C25	DS 11/24/92	C ASSEF B KOJIS
			B	DN F/D & P/L: ADDED ASSY P/N -104 & ITEM 9. SHEET 3 ADDED. NOTE 2 WAS CLEAR ANDDIZE. DN P/L: ITEM 1 P/N WAS S0079CA 106. ITEM 2 P/N WAS 10018CA-108. ITEM 5 P/N WAS 10024CA-01.	JS 4/12/93	C ASSEF B KOJIS V SIEBERT
			C	SEE ECN 228 & 128.	LJH 8/25/93	C ASSEF V SIEBERT
			D	SEE ECN 540	DS 11/10/93	C ASSEF V SIEBERT
			E	SEE ECN 653	DS 12/7/93	C ASSEF V SIEBERT F WHITSON
			F	SEE ECN 786.	LJH 1/12/94	C ASSEF V SIEBERT
			G	SEE ECN 819.	JS 1/19/94	C ASSEF V SIEBERT
3065			H	RELEASED -106 CONFIGURATION P/L: ADDED NO 12; CHANGED NO 7	JZ 6/8/95	T ANTCZAK
9824	1	AB	J	ADDED NOTE 9	JTS 7/21/00	L. Nechell

QTY REQ'D	QTY REQ'D	QTY REQ'D	QTY REQ'D	QTY REQ'D	QTY REQ'D	COMPONENTS PART NO. OR IDENTIFYING NO.	NOMENCLATURE OR DESCRIPTION	MATERIAL/SPECIFICATION	CAGE CODE	ITEM NO.
						10855CC-101	TRAY WELDING ASSY, 6 MCU	(.063 AL ALLOY 6061)		12
						10454CC-201	TRAY WELDING ASSY, 6 MCU	(.063 AL ALLOY 6061)		11
						MS24693-C25	SCREW, FLAT HEAD	(.138-32 X .31 LONG)		10
						S0082CC-106	TRAY WELDING ASSY, 6 MCU	(.063 AL ALLOY 6061)		9
						MS24693-C26	SCREW, FLAT HEAD	(.138-32 X .38 LONG)		8
						10736-01	PLUG BUMPER	(RUBBER)		7
						10016-106	DEFORMATION SEAL ASSY, 6 MCU	(SILICONE RUBBER)		6
						10024CC-01	METERING PLATE, 6 MCU	(.040 AL ALLOY 5052-H32 OR 6061)		5
						S0076-105	HOLD DOWN, FRONT THUMBSREW			4
						10344-101	HOLD DOWN, FRONT INSERTION/EXTRACTION			3
						10018CC-108	CONNECTOR PLATE ASSY, 6 MCU	(.063 AL ALLOY 6061)		2
						S0079CC-106	TRAY WELDING ASSY, 6 MCU	(.063 AL ALLOY 6061)		1

- 9. IDENTIFY WITH ECS P/N AND LOT#, PER EP210.
  - 8. MAXIMUM EXTENSION WHEN LRU IS SECURELY FASTENED TO TRAY ASSEMBLY.
  - 7. UNIVERSAL CONNECTOR CUT-OUT PER ARINC 600; SIZE 1, 2, OR 3.
  - 6. ALTERNATE PART NO: ECS P/N S0076-101.
  - 5. -DELETED-
  - 4. MEETS OR EXCEEDS ARINC 600 SPECIFICATIONS.
  - 3. ALTERNATE PART NO: RAM P/N CA12145-102.
  - 2. FINISH: (CLEAR CHEM FILM PER MIL-C-5541, CLASS 3).
  - 1. DIMENSIONS AND TOLERANCES PER ANSI Y14.5M-1982.
- NOTES: UNLESS OTHERWISE SPECIFIED

THIRD ANGLE PROJECTION		WEIGHTS		UNLESS OTHERWISE SPECIFIED DIMENSIONS ARE IN INCHES TOLERANCES ARE:		CONTRACT NO.	
		-106	1	FINAL	95-0400	J SWITALSKI 8/28/92	
		-105	1	FINAL	93-0888	DATE 8/31/92	
		-104	1	P0212-101	93-0093	CHECKED BY C ASSEF 8/31/92	
		-101 THRU -103	1	FINAL		DESIGNED BY C ASSEF 8/31/92	
CAD GENERATED DOCUMENT		COMP/ASSY PART NO.	NEXT FINAL	NEXT/FINAL DWG	PROJECT NO.	PROJECT ENGR	
ANY CHANGES TO THIS DOCUMENT MUST BE SUBMITTED TO THE DESIGN/DRAFTING DEPARTMENT FOR PROPER UPDATE						MFG ENGR	
						DATE	
						ENGR MGR	
						DATE	
						F A WHITSON 8/31/92	
						SCALE 1/2	
						EFFECTIVITY	
						SHEET 1 OF 5	

ELECTRONIC CABLE SPECIALISTS FRANKLIN, WI 53132 PHONE: (414) 421-5300			
TITLE <b>TRAY ASSY, 6 MCU SHORT/SHORT</b>			
SIZE	CAGE CODE	LEVEL	DWG NO.
D	66197C/A		6035