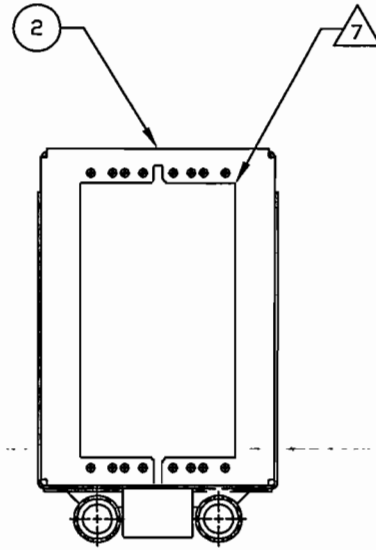
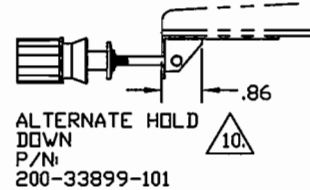
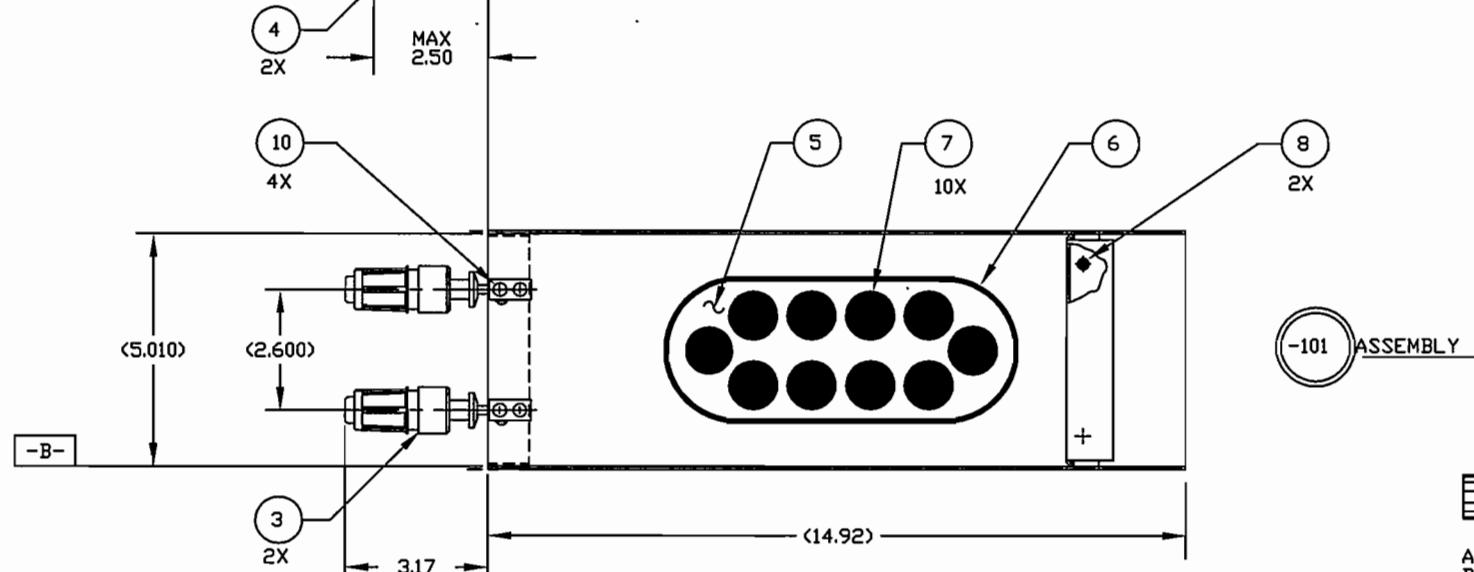
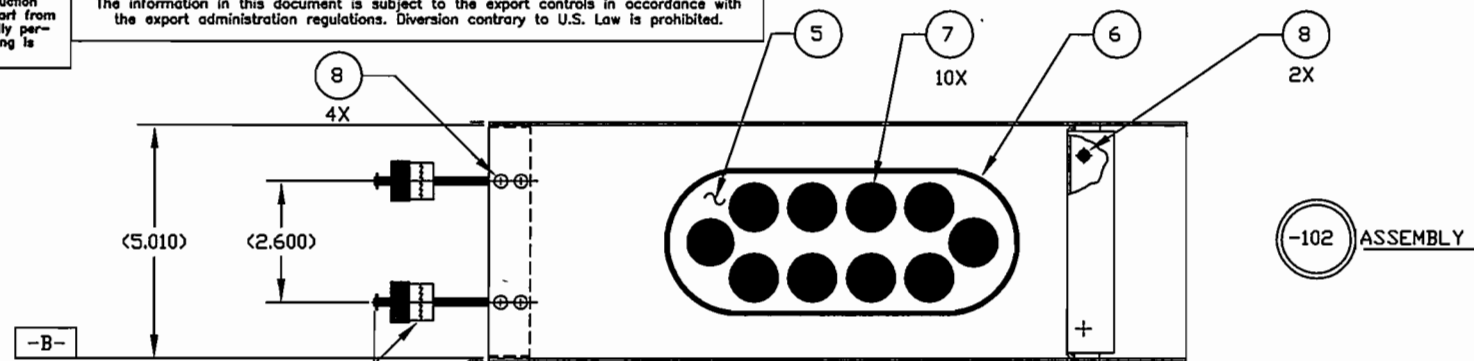


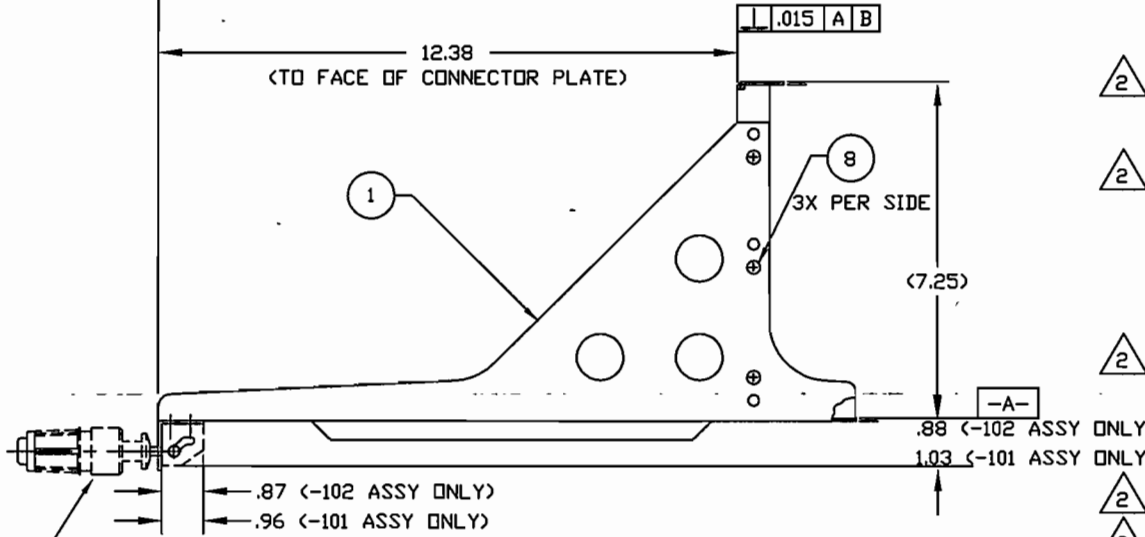
This print and associated documents and the contained information are the confidential property of ELECTRONIC CABLE SPECIALISTS. Disclosure of, and/or reproduction of, all or part thereof or manufacture of any part from information contained on this print not specifically permitted by ELECTRONIC CABLE SPECIALISTS in writing is forbidden.

**** EXPORT CONTROLLED DOCUMENT - EAR ****
The information in this document is subject to the export controls in accordance with the export administration regulations. Diversion contrary to U.S. Law is prohibited.

ECN		SHT	ZONE	REV.	DESCRIPTION	DATE	APPROVED
9824	1	A8			ADDED NOTE 9	JTS	
11987	1	A8			REVISED NOTE 1		
	1	A8			DELETED NOTE 3		
	1	A8			DELETED NOTE 4		
	1	A8			REVISED NOTE 5		
	1	A8			DELETED NOTE 6		
	1	A3			ADDED ACT WEIGHTS		
	1-4	A6	J		ADDED NOTE 7 & FLAGS	7/30/00	L HECKEL
	1	A4			ADDED DIM .88		
	1	D6			ADDED 2.50 MAX DIM CALLOUT		
	1	A8			ADDED NOTE 8		
	1	P/L			CHGD ITEM 7 WAS LAVELLE P/N 40-89B, DELETED CAGE CODE 98893		
	1	B4/D6			CHGD (ITEM 8) CALLOUT		
	2-4	B4			CHGD (ITEM 8) CALLOUT		
	2	D6			CHGD HOLE DIM WAS ϕ .167		
	3-4	B5			ADDED DIM .96		
	3-4	A3			ADDED DIM 1.03		
	3-4	B6/B4			ADDED 3.17 DIM & FLAG		
12374	1	A6			ADDED DIM .96 (-101 ASSY ONLY)	JTS	
	1	A4	K		ADDED DIM 1.03 (-101 ASSY ONLY)	8/6/01	M PESILE
	1	C6			ADDED HOLD DOWN DIM 3.17		
	1	D6			CHGD HOLD DOWN DIM 2.50 WAS .250		
	1	C6			CHGD BALLOON 10 WAS 8		
	1	C7			CHGD BALLOON 9 WAS 4		
54708	1	B6			MOVED ALL NOTES TO PAGE 2	PSP	
	1	A7			ADDED NOTE 10 CALLOUT		
	1	P/L			ADDED LEADER NOTE		
	1	C4			ADDED ALT. P/N 200-33899-101 TO ITEM 3		
	2	NOTE	L		ADDED ALT HOLD DOWN DETAIL VIEW FOR -101		
	3	B2			REVISED NOTE 2	5/22/15	B Pym
	3	A6			ADDED FLAG NOTE 10 CALLOUT		
	4	A6			ADDED LEADER NOTE		
	4	B2			ADDED ALT HOLD DOWN DETAIL VIEW FOR -105		
	4	A6			ADDED FLAG NOTE 10 CALLOUT		
	4	A6			ADDED LEADER NOTE		



INSERTION EXTRACTION HOLD DOWN
ECS P/N: 10344-101 (SHOWN)
OR ALTERNATE HOLD DOWN
ECS P/N: 200-33899-101



QTY REQ'D	QTY REQ'D	QTY REQ'D	QTY REQ'D	QTY REQ'D	COMPONENTS PART NO. OR IDENTIFYING NO.	HOMOLOGATION OR DESCRIPTION	MATERIAL/SPECIFICATION	CAGE CODE	ITEM NO.
1	-	-	-	-	10454-101	TRAY WELDING ASSY, 4 MCU	<.063 AL ALLOY 6061		11
4	4	-	-	4	MS24693-C25	SCREW, FLAT HEAD	<#6-32 X .31 LONG		10
-	1	-	-	-	S0082CC-104	TRAY WELDING ASSY, 4 MCU	<.063 AL ALLOY 6061		9
8	8	8	12	8	MS24693-C26	SCREW, FLAT HEAD	<#6-32 X .38 LONG		8
10	10	10	10	10	10736-01	PLUG BUMPER	(RUBBER)		7
1	1	1	1	1	10016-104	DEFORMATION SEAL ASSY, 4 MCU	(SILICONE RUBBER)		6
1	1	1	1	1	10025CC-01	METERING PLATE, 4 MCU	<.040 AL ALLOY 5052 OR 6061		5
-	-	-	-	2	S0076-105	HOLD DOWN, FRONT THUMBSCREW			4
2	2	-	-	2	10344-101	HOLD DOWN, FRONT INSERTION/EXTRACTION	ALT. P/N 200-33899-101		3
1	1	1	1	1	10018CC-106	CONNECTOR PLATE ASSY, 4 MCU	<.063 AL ALLOY 6061		2
-	-	1	1	1	S0079CC-104	TRAY WELDING ASSY, 4 MCU	<.063 AL ALLOY 6061		1

THIRD ANGLE PROJECTION
CAD GENERATED DOCUMENT
ANY CHANGES TO THIS DOCUMENT MUST BE SUBMITTED TO THE DESIGN/DRAFTING DEPARTMENT FOR PROPER UPDATE

COMP/ASSY PART NO.	QTY REQ'D	NEXT/FINAL DWG	PROJECT NO.
-105	1	FINAL	93-0888
-104	-	P0212-101	93-0093
-101 THRU -103	1	FINAL	

UNLESS OTHERWISE SPECIFIED DIMENSIONS ARE IN INCHES TOLERANCES ARE:
FRACTIONS .010 .005 .002
DECIMALS .010 .005 .002
ANGULAR ± P
DO NOT SCALE DRAWING
TREATMENT: FRESH
SIMILAR TO: JCS, WT. (-101) 1.5 LBS (-102) 1.6 LBS

CONTRACT NO. J SWITALSKI 8/31/92
CHECKED BY C ASSEF 9/1/92
DESIGNED BY C ASSEF 9/1/92
PROJECT ENGR
MFG ENGR
ENR MGR F A WHITSON 9/1/92

ELECTRONIC CABLE SPECIALISTS
FRANKLIN, WI 53132
PHONE: (414) 421-5300
TITLE: TRAY ASSY, 4 MCU SHORT/SHORT
SIZE: D 66197C/A
LEVEL: A
DWG NO.: 6034
SCALE: 1/2
EFFECTIVITY
SHEET 1 OF 4

NOTES: SEE SHEET 2