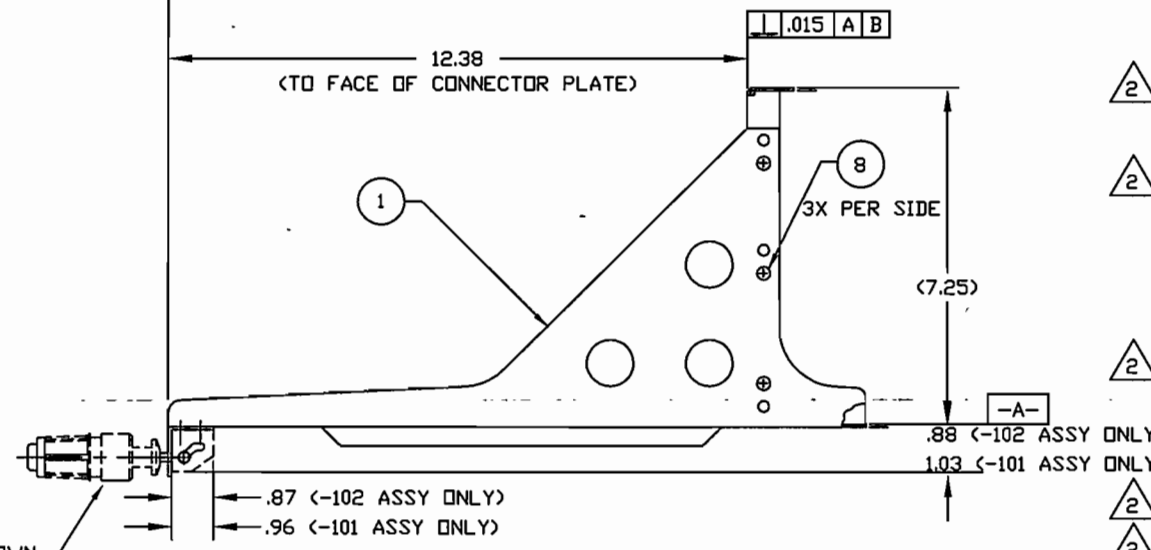
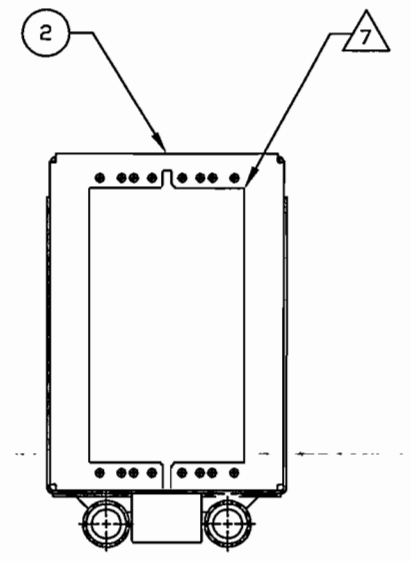
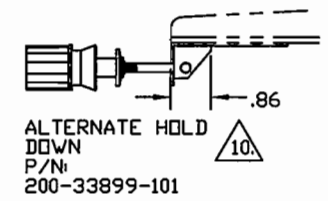
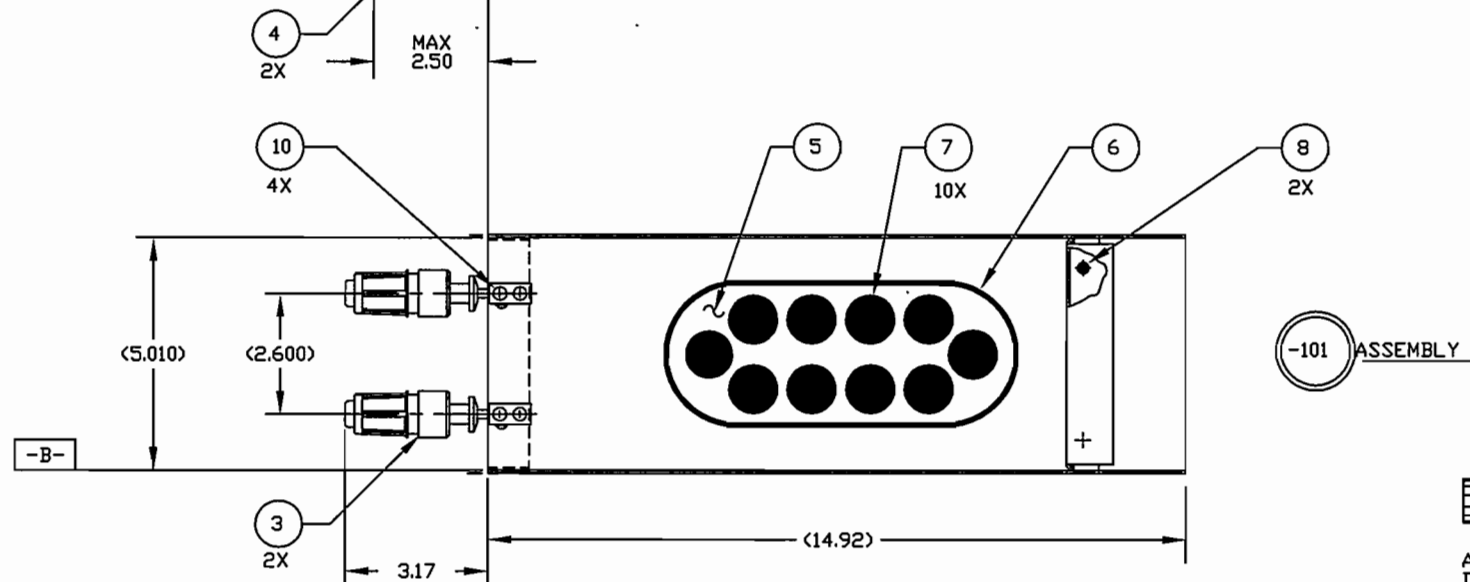
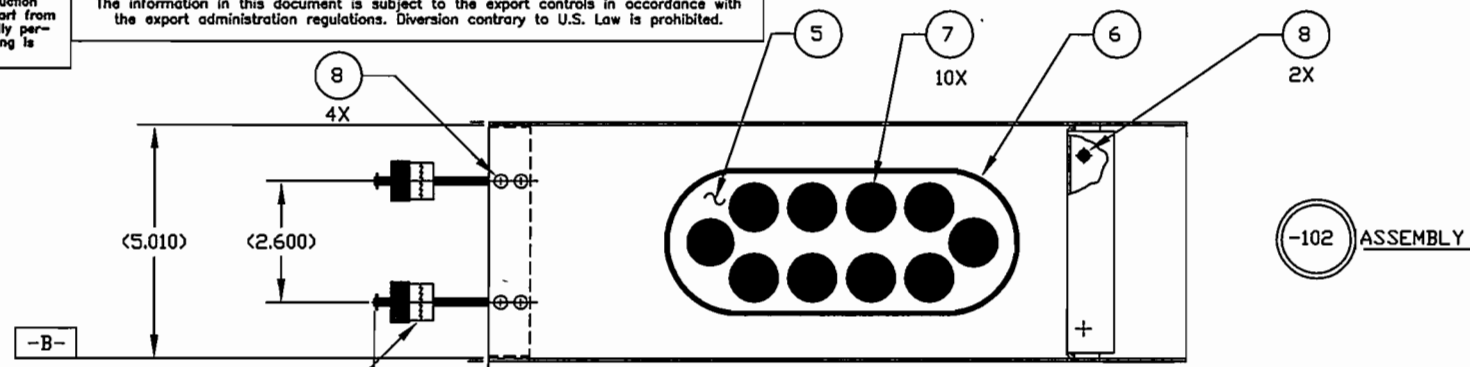


This print and associated documents and the contained information are the confidential property of ELECTRONIC CABLE SPECIALISTS. Disclosure of, and/or reproduction of, all or part thereof or manufacture of any part from information contained on this print not specifically permitted by ELECTRONIC CABLE SPECIALISTS in writing is forbidden.

**** EXPORT CONTROLLED DOCUMENT - EAR ****
The information in this document is subject to the export controls in accordance with the export administration regulations. Diversion contrary to U.S. Law is prohibited.

ECN		SHT	ZONE	REV.	DESCRIPTION	DATE	APPROVED
9824	1	A8			ADDED NOTE 9	JTS	
11987	1	A8			REVISED NOTE 1		
	1	A8			DELETED NOTE 3		
	1	A8			DELETED NOTE 4		
	1	A8			REVISED NOTE 5		
	1	A8			DELETED NOTE 6		
	1	A3			ADDED ACT WEIGHTS		
	1-4	A6	J		ADDED NOTE 7 & FLAGS	7/30/00	L HECKEL
	1	A4			ADDED DIM .88		
	1	D6			ADDED 2.50 MAX DIM CALLOUT		
	1	A8			ADDED NOTE 8		
	1	P/L			CHGD ITEM 7 WAS LAVELLE P/N 40-89B, DELETED CAGE CODE 98893		
	1	B4/D6			CHGD (ITEM 8) CALLOUT		
	2-4	B4			CHGD (ITEM 8) CALLOUT		
	2	D6			CHGD HOLE DIM WAS Ø.167		
	3-4	B5			ADDED DIM .96		
	3-4	A3			ADDED DIM 1.03		
	3-4	B6/B4			ADDED 3.17 DIM & FLAG		
12374	1	A6			ADDED DIM .96 (-101 ASSY ONLY)	JTS	
	1	A4	K		ADDED DIM 1.03 (-101 ASSY ONLY)	8/6/01	M PESILE
	1	C6			ADDED HOLD DOWN DIM 3.17		
	1	D6			CHGD HOLD DOWN DIM 2.50 WAS .250		
	1	C6			CHGD BALLOON 10 WAS 8		
	1	C7			CHGD BALLOON 9 WAS 4		
54708	1	B6			MOVED ALL NOTES TO PAGE 2	PSP	
	1	A7			ADDED NOTE 10 CALLOUT		
	1	P/L			ADDED LEADER NOTE		
	1	C4			ADDED ALT. P/N 200-33899-101 TO ITEM 3		
	2	NOTE	L		ADDED ALT HOLD DOWN DETAIL VIEW FOR -101		
	3	B2			REVISED NOTE 2	5/22/15	B Pym
	3	A6			ADDED FLAG NOTE 10 CALLOUT		
	4	A6			ADDED LEADER NOTE		
	4	B2			ADDED ALT HOLD DOWN DETAIL VIEW FOR -105		
	4	A6			ADDED FLAG NOTE 10 CALLOUT		
	4	A6			ADDED LEADER NOTE		



INSERTION EXTRACTION HOLD DOWN
ECS P/N: 10344-101 (SHOWN)
OR ALTERNATE HOLD DOWN
ECS P/N: 200-33899-101

QTY REQD	QTY REQD	QTY REQD	QTY REQD	QTY REQD	QTY REQD	COMPONENTS PART NO. OR IDENTIFYING NO.	HOMOLOGATION OR DESCRIPTION	MATERIAL/SPECIFICATION	CAGE CODE	ITEM NO.
1	-	-	-	-	-	10454-101	TRAY WELDING ASSY, 4 MCU	<.063 AL ALLOY 6061		11
4	4	-	-	-	4	MS24693-C25	SCREW, FLAT HEAD	<#6-32 X .31 LONG		10
-	1	-	-	-	-	S0082CC-104	TRAY WELDING ASSY, 4 MCU	<.063 AL ALLOY 6061		9
8	8	8	12	8	8	MS24693-C26	SCREW, FLAT HEAD	<#6-32 X .38 LONG		8
10	10	10	10	10	10	10736-01	PLUG BUMPER	(RUBBER)		7
1	1	1	1	1	1	10016-104	DEFORMATION SEAL ASSY, 4 MCU	(SILICONE RUBBER)		6
1	1	1	1	1	1	10025CC-01	METERING PLATE, 4 MCU	<.040 AL ALLOY 5052 OR 6061		5
-	-	-	-	-	2	S0076-105	HOLD DOWN, FRONT THUMBSCREW			4
2	2	-	-	-	2	10344-101	HOLD DOWN, FRONT INSERTION/EXTRACTION	ALT. P/N 200-33899-101		3
1	1	1	1	1	1	10018CC-106	CONNECTOR PLATE ASSY, 4 MCU	<.063 AL ALLOY 6061		2
-	-	1	1	1	1	S0079CC-104	TRAY WELDING ASSY, 4 MCU	<.063 AL ALLOY 6061		1

THIRD ANGLE PROJECTION 		WEIGHTS STRESS		UNLESS OTHERWISE SPECIFIED DIMENSIONS ARE IN INCHES TOLERANCES ARE: FRACTIONS .005 DECIMALS .003 HOLE .010 ANGULAR ± .5° DO NOT SCALE DRAWING		CONTRACT NO. DRAWN BY CHECKED BY DESIGNED BY		DATE DATE DATE		ELECTRONIC CABLE SPECIALISTS FRANKLIN, WI 53132 PHONE: (414) 421-5300	
CAD GENERATED DOCUMENT ANY CHANGES TO THIS DOCUMENT MUST BE SUBMITTED TO THE DESIGN/DRAFTING DEPARTMENT FOR PROPER UPDATE		-105 1 FINAL 93-0888 -104 - P0212-101 93-0093		PRODUCTION QUALITY ASSURANCE		PROJECT ENGR MFG ENGR ENR MGR		DATE DATE DATE		TITLE TRAY ASSY, 4 MCU SHORT/SHORT	
APPLICATION		ADDITIONAL APPROVALS		DATE		SIMILAR TO ACT. WT. (-101) 1.5 LBS (-102) 1.6 LBS		DATE DATE		SCALE 1/2 EFFECTIVITY SHEET 1 OF 4	

NOTES: SEE SHEET 2