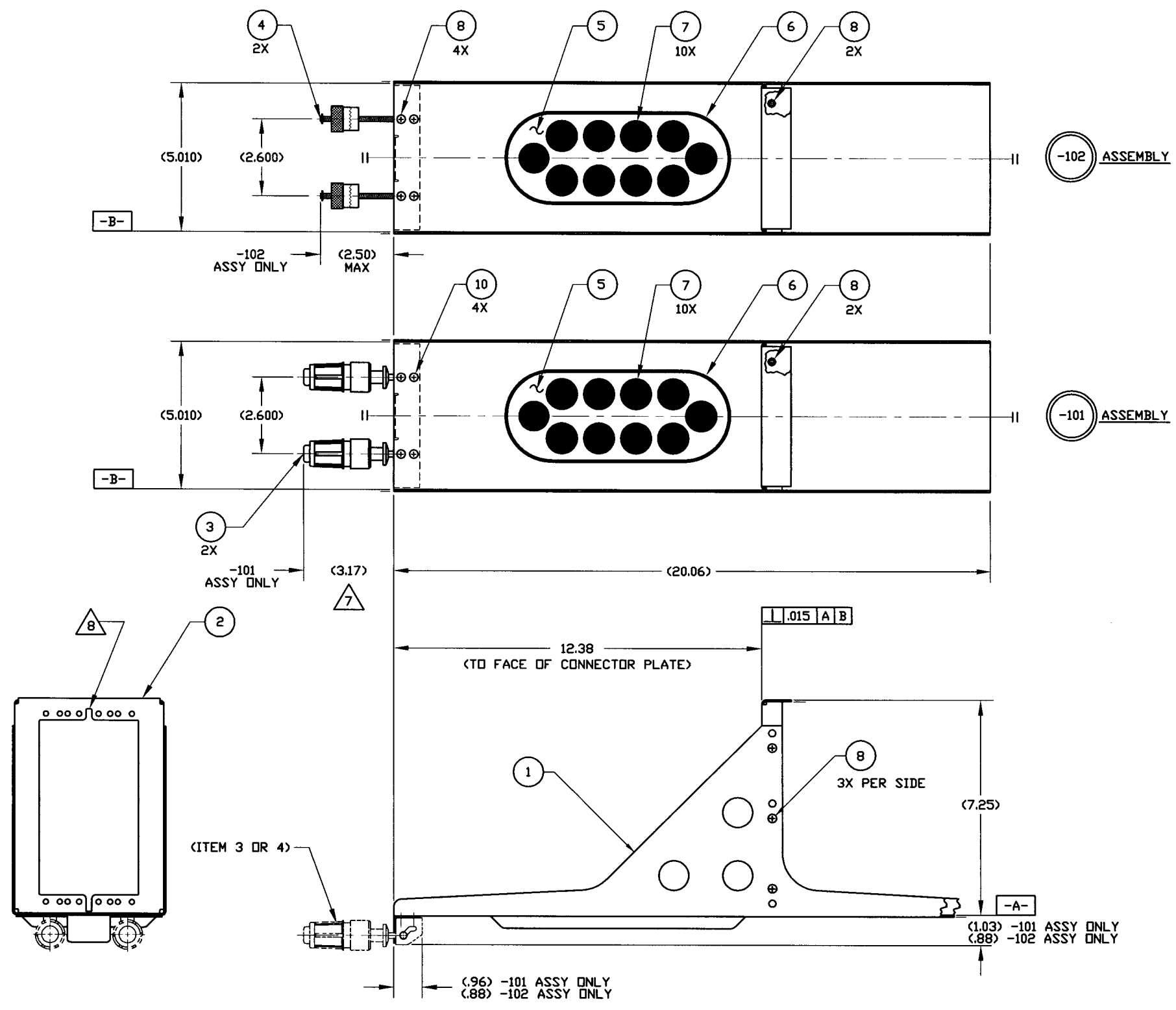
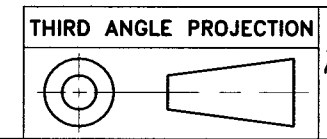


DWG NO. 6026		SH 2	REV. M	1
REVISIONS				
ZONE	REV.	DESCRIPTION	DATE	APPROVED
M		SEE SHEET 1		

This print and associated documents and the contained information are the confidential property of ELECTRONIC CABLE SPECIALISTS. Disclosure of, and/or reproduction of, all or part thereof or manufacture of any part from information contained on this print not specifically permitted by ELECTRONIC CABLE SPECIALISTS in writing is forbidden.



NOTES: SEE SHEET 1



CAD GENERATED DOCUMENT
 ANY CHANGES TO THIS DOCUMENT
 MUST BE SUBMITTED TO THE
 DESIGN/DRAFTING DEPARTMENT
 FOR PROPER UPDATE

ELECTRONIC CABLE SPECIALISTS FRANKLIN, WI 53132 PHONE: (414) 421-5300	
SIZE D	CAGE CODE 66197
LEVEL C/A	DWG NO. 6026
SCALE 1/2	SHEET 2 OF 8