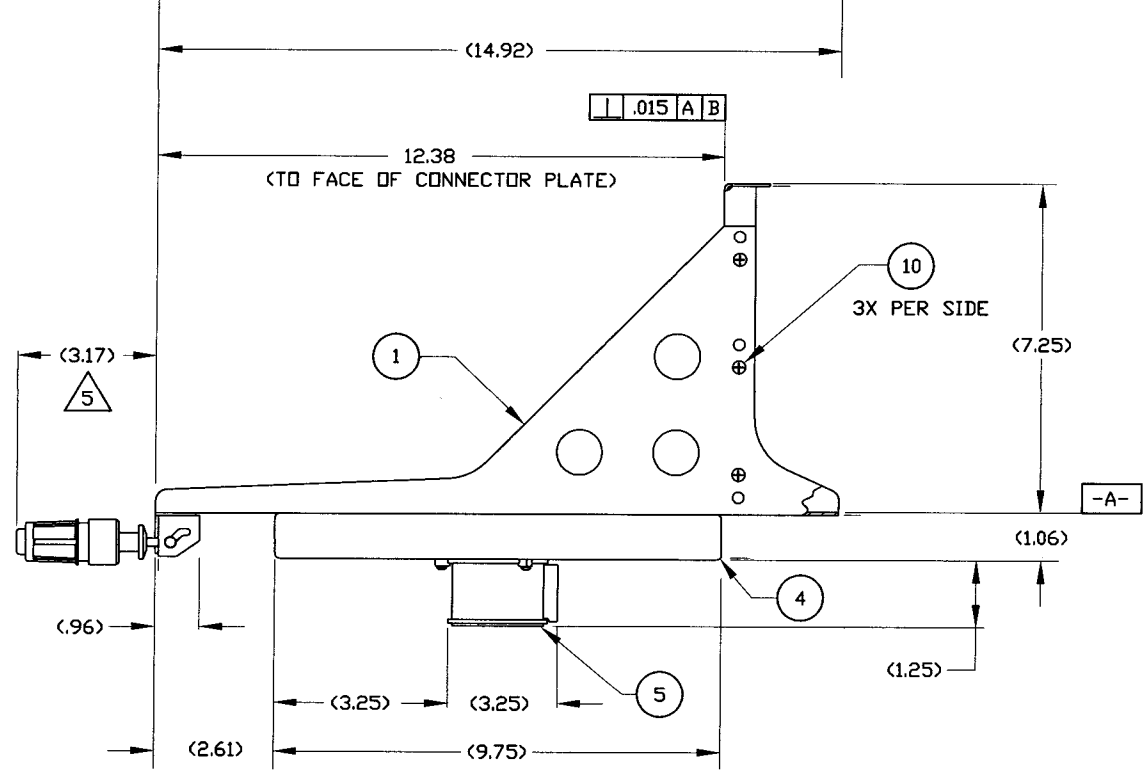
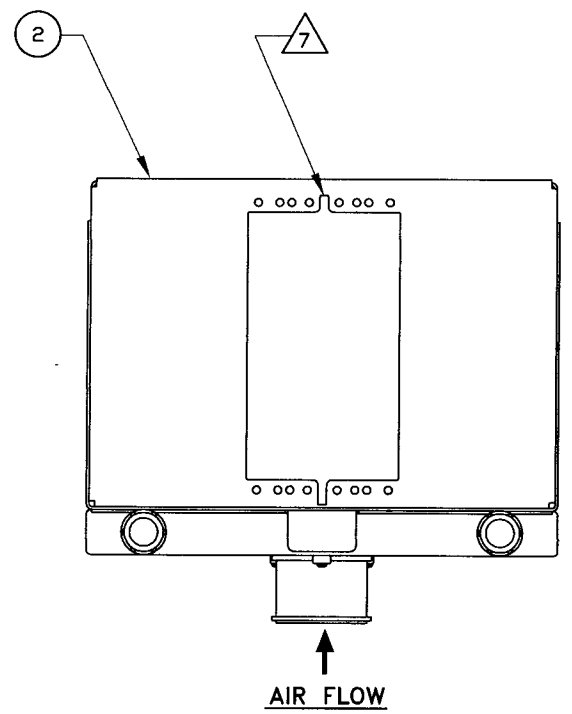
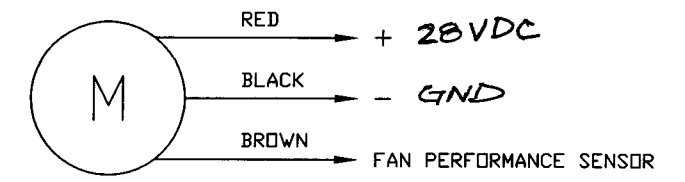
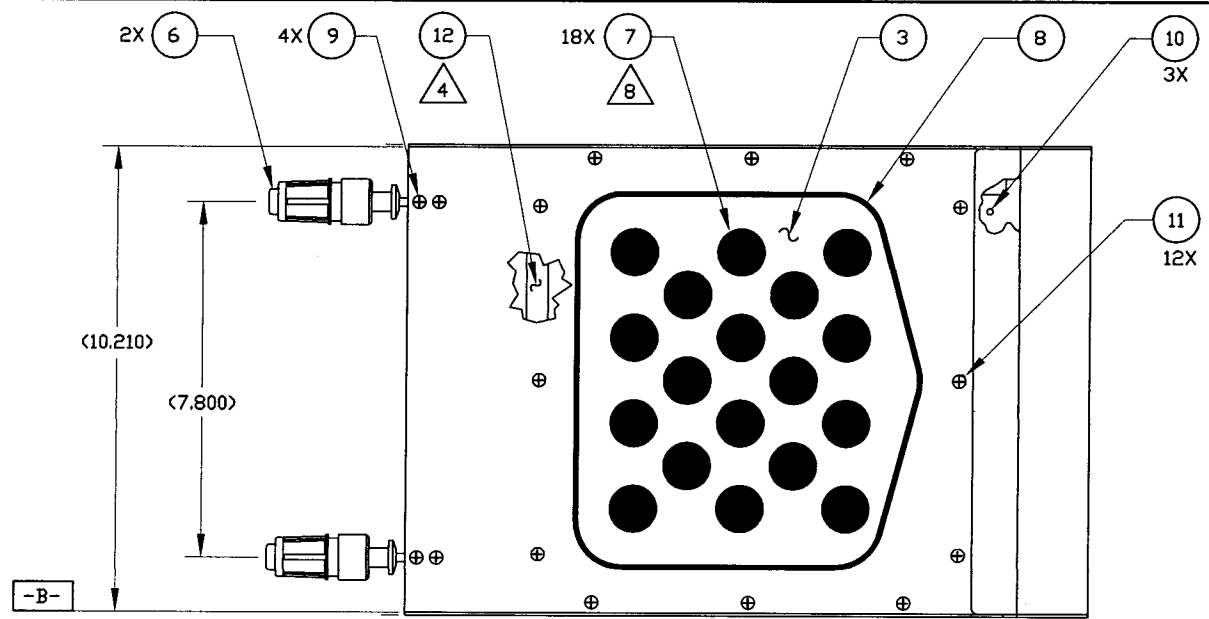


This print and associated documents and the contained information are the confidential property of ELECTRONIC CABLE SPECIALISTS. Disclosure of, and/or reproduction of, all or part thereof or manufacture of any part from information contained on this print not specifically permitted by ELECTRONIC CABLE SPECIALISTS in writing is forbidden.

ECN	SHT.	ZONE	REV.	DESCRIPTION	DATE	APPROVED
14612			N/C	RELEASED FOR FULL PRODUCTION	SJR 10/10/01	FSJ



A/R	DOW CORNING	ADHESIVE SEALANT	(SILICONE RUBBER)	71984	12
12	MS24693-C24	SCREW, FLAT HEAD	(.138-32 X .25 LG, CRES)		11
9	MS24693-C26	SCREW, FLAT HEAD	(.138-32 X .38 LG, CRES)		10
4	MS24693-C25	SCREW, FLAT HEAD	(.138-32 X .31 LONG)		9
1	10016-108	DEFORMATION SEAL ASSY, 8 MCU	(SILICONE RUBBER)		8
18	10736-01	PLUG BUMPER	(RUBBER)		7
2	10344-101	HOLD DOWN, FRONT INSERTION/EXTRACTION			6
1	S0085-125	FAN ASSY, DC	(Ø3.064)		5
1	S0109CC-508	PLENUM ASSY, 8 MCU	(.040 AL ALLOY 5052 DR 6061)		4
1	10035CC-01	METERING PLATE, 8 MCU	(.040 AL ALLOY 5052 DR 6061)		3
1	10018CC-110	CONNECTOR PLATE ASSY, 8 MCU	(.063 AL ALLOY 6061)		2
1	S0082CC-108	TRAY WELDING ASSY, 8 MCU	(.063 AL ALLOY 6061)		1

- 9. IDENTIFY WITH ECS P/N AND LOT #, PER EP 210.
- 8. REMOVE ALL PLUG BUMPERS (18) FROM TRAY PRIOR TO INSTALLING THE LRU.
- 7. UNIVERSAL CONNECTOR CUTOUT PER ARINC 600, SIZE 1, 2 OR 3.
- 6. ALTERNATE PART NO. DOW CORNING P/N RTV-732CLR.
- 5. MAXIMUM EXTENSION WHEN LRU IS SECURELY FASTENED TO TRAY ASSEMBLY.
- 4. APPLY ADHESIVE SEALANT AROUND SCREW HOLES & CONTACT SURFACES AT ASSEMBLY TO PROVIDE A SEAL BETWEEN TRAY AND PLENUM.
- 3. FINISH: (CLEAR CHEM FILM PER MIL-C-5541, CLASS 3).

- 2. DESIGNED TO MEET THE APPLICABLE REQUIREMENTS OF THE FOLLOWING:
 - A: ARINC 600-9: 8 MCU,
 - B: RTCA/DO-160C ENV. CAT. A1-BABXXXXXXXXXXXXXXXXXX.
- 1. DIMENSIONS AND TOLERANCES PER ANSI Y14.5M-1982.

NOTES: UNLESS OTHERWISE SPECIFIED

THIRD ANGLE PROJECTION 		CAD GENERATED DOCUMENT ANY CHANGES TO THIS DOCUMENT MUST BE SUBMITTED TO THE DESIGN/DRAFTING DEPARTMENT FOR PROPER UPDATE		CONTRACT NO. S. ROSSA DATE 10/10/01		ELECTRONIC CABLE SPECIALISTS FRANKLIN, WI 53132 PHONE: (414) 421-5300	
-101 COMP/ISSY PART NO.		FINAL QTY REQD		010938 PROJECT NO.		TRAY ASSY, WITH BOTTOM FAN, 8 MCU, S/S	
6225 SIMILAR TO		PRODUCTION QUALITY ASSURANCE		DATE 10/10/01 DATE 10/10/01 DATE 10/10/01 DATE 10/10/01		SCALE 1/2 SHEET 1 OF 1	