

8

7

6

5

4

3

DWG NO. 200-84496

SH 1 REV B

1

This print and associated documents and the contained information are the confidential property of ELECTRONIC CABLE SPECIALISTS. Disclosure of, and/or reproduction of, all or part thereof or manufacture of any part from information contained on this print not specifically permitted by ELECTRONIC CABLE SPECIALISTS in writing is forbidden.

NOTES: UNLESS OTHERWISE SPECIFIED

GENERAL NOTES:

1. DIMENSIONS AND TOLERANCES PER ASME Y14.5M-1994.

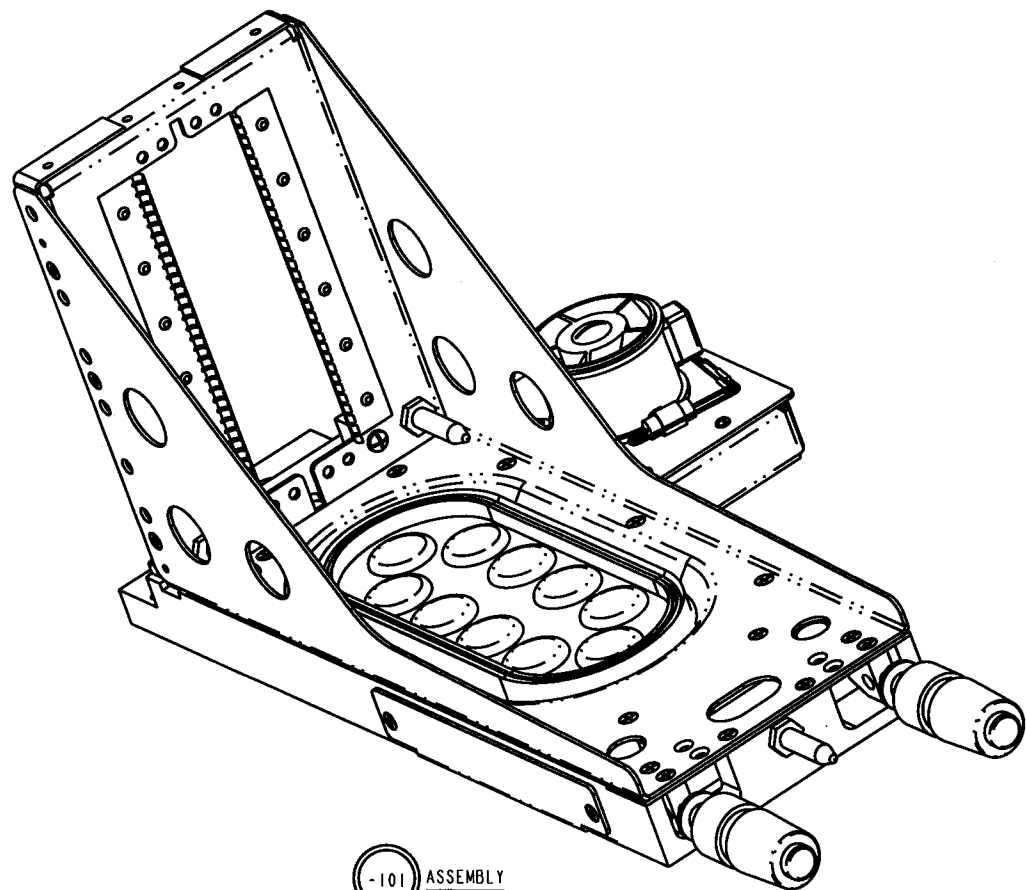
ASSEMBLY NOTES:

2. APPLY RTV-732-CLR SEALANT TO FAYING SURFACES TO CREATE A SEALING CONDITION BETWEEN BASE & TRAY.

3. IDENTIFY WITH ECS P/N AND LOT# PER EP210.

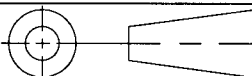
REVISION HISTORY						
ECN	SHT	ZONE	REV	DESCRIPTION	DATE	APPROVED
11395			N/C	RELEASED FOR DESIGN APPROVAL	4/3/00	B MATHUR
11457	1	A4		4.7 LBS ADDED	GJS	
	2	A5	A	(8.55) ADDED		
		B6		(3.17) MAX ADDED	4/10/00	B MATHUR
		A6		(7.83) ADDED		
		A7		(14.59) ADDED		
11550	1	P/L	B	ITEM 7 WAS 10344-101	GJS	
	2	B1		(8.56) WAS (8.66)	4/18/00	B. Mathur

AR	PART NO.	DESCRIPTION	MATERIAL/SPECIFICATION	ALTERNATE PART NO.	CAGE CODE	ITEM NO.	
	RTV-732-CLR	ADHESIVE SEALANT	SILICONE, CLEAR			24	
1	10016-104	DEFORMATION SEAL, 4 MCU	SILICONE RUBBER			23	
10	10736-01	PLUG BUMPER	RUBBER			22	
1	10025CC-01	METERING PLATE, 4 MCU	ALUM ALLOY CLEAR CHEM FILM			21	
3	MS21042-4	NUT, SELF LOCKING	.250-28, CAD PL STL			20	
3	NAS1149D0432J	WASHER, FLAT	.25 X .032 THK, ALUM			19	
12	MS20470AD3-3	RIVET, SOLID	.093 X .188 LONG, ALUM			18	
2	MS51957-43	SCREW, PAN HEAD	#8-32 X 0.375 LG.			17	
6	MS21042-06	NUT, SELF LOCKING	#6-32, CAD PL STL			16	
2	MS51957-28	SCREW, PAN HEAD	#6-32 X 0.375 LG.			15	
26	MS24693-C26	SCREW, FLAT HEAD	#6-32 X .38 LONG, CRES			14	
6	MS24693-C25	SCREW, FLAT HEAD	#6-32 X .31 LONG, CRES			13	
2	MS24693-C272	SCREW, FLAT HEAD	#10-32 X .50 LONG, CRES			12	
1	200-84833CC-101	TRAY WELDING ASSY	-			11	
1	200-84839-101	PLENUM ASSEMBLY	-			10	
1	200-84838CC-01	PLATE, CONNECTOR	-			9	
1	200-84836CC-01	LOCATOR, PIN	-			8	
2	10344-102	HOLD DOWN, FRONT INSERTION/EXTRACTION	-			7	
1	S0085-107	FAN ASSEMBLY	-			6	
1	200-84846-101	COVER PLATE ASSEMBLY	-			5	
2	200-84845-01	RFI/EMI SHIELD STRIP	-			4	
2	C0228-03	PIN	-			3	
1	C0228-04	PIN	-			2	
1	200-84832CC-01	BASE	-			1	
	200-84496-101	TRAY ASSEMBLY, 4 MCU	-			-	
QTY.	-101	COMPONENT PART NO. OR IDENTIFYING NO.	NOMENCLATURE OR DESCRIPTION	MATERIAL/SPECIFICATION	ALTERNATE PART NO.	CAGE CODE	ITEM NO.



-101 ASSEMBLY

THIRD ANGLE PROJECTION



CAD GENERATED DOCUMENT  
ANY CHANGES TO THIS DOCUMENT  
MUST BE SUBMITTED TO THE  
DESIGN/DRAFTING DEPARTMENT  
FOR PROPER UPDATE

WEIGHTS	4.7 LBS
STRESS	
UNLESS OTHERWISE SPECIFIED DIMENSIONS ARE IN INCHES TOLERANCES ARE:	
FRACTIONS	DECIMALS
±	.XX ± 0.03
±	.XXX ± 0.010
±	.001 ± 0.005
±	.0005 ± 0.002
±	.0001 ± 0.0005
ANGULAR	± 0.5
TREATMENT	DO NOT SCALE DRAWING
FINISH	
PART/ASST DASH NO.	QTY REQ'D
FINAL/ NEXT DRAWING	PROJECT NO.
APPLICATION	ADDITIONAL APPROVALS
DATE	

PARTS LIST

CONTRACT NO.	
DRAWN	G STEFFEN
DATE	17-Mar-00
CHECKED	B MATHUR
DATE	4/3/00
DESIGNED	G STEFFEN
DATE	3/17/00
PROJECT	B MATHUR
DATE	4/3/00
MANUFACTURING	C M ORTIZ
DATE	4/4/00
ENGINEERING	T ANTCAK
DATE	4/3/00

ELECTRONIC CABLE SPECIALISTS  
FRANKLIN, WI 53132  
PHONE: (414) 421-5300

TITLE  
**TRAY ASSEMBLY.**  
4 MCU

SIZE CAGE CODE LEVEL DWG NO.  
D 66197 C/A 200-84496

SCALE 3/4 EFFECTIVITY: - SHEET 1 of 2

8

7

6

5

4

3

2

1

8

7

6

5

4

3

DWG NO. 200-84496

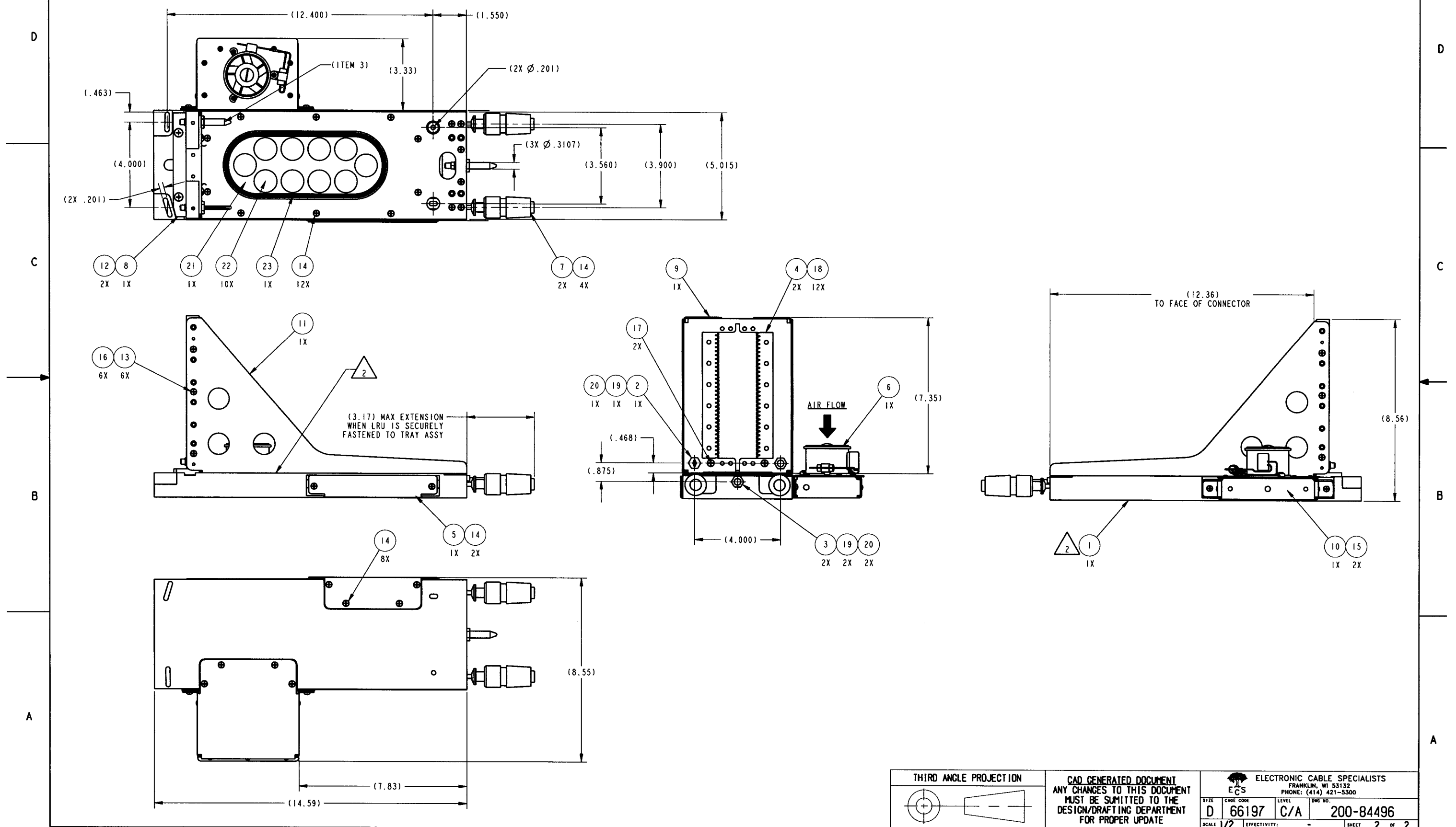
SH 2 REV B

1

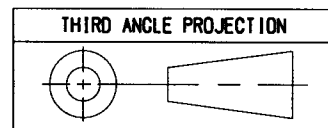
This print and associated documents and the contained information are the confidential property of ELECTRONIC CABLE SPECIALISTS. Disclosure of, and/or reproduction of, all or part thereof or manufacture of any part from information contained on this print not specifically permitted by ELECTRONIC CABLE SPECIALISTS in writing is forbidden.

REVISION HISTORY				
ZONE	REV.	DESCRIPTION	DATE	APPROVED
	B	SEE SHEET 1		

NOTES: SEE SHEET 1



NAME: GREGS OBJECT: 84496-2 DATE: 18-Apr-00 13:44:47



CAD GENERATED DOCUMENT  
 ANY CHANGES TO THIS DOCUMENT  
 MUST BE SUBMITTED TO THE  
 DESIGN/DRAFTING DEPARTMENT  
 FOR PROPER UPDATE

ELECTRONIC CABLE SPECIALISTS FRANKLIN, WI 53132 PHONE: (414) 421-5300			
SIZE	CAGE CODE	LEVEL	DWG NO.
D	66197	C/A	200-84496
SCALE	EFFECTIVITY:		SHEET
1/2	-		2 OF 2

8

7

6

5

4

3

2

1